

CODE	DIM "M" MATING LENGTH	CONTACT TYPE
PB	[1.07]	POWER
M	[N/A]	SIGNAL
L	[N/A]	SIGNAL
K	[N/A]	SIGNAL
J	[N/A]	SIGNAL
HA	[N/A]	HOLD-DOWN
X	OMITTED	OMITTED



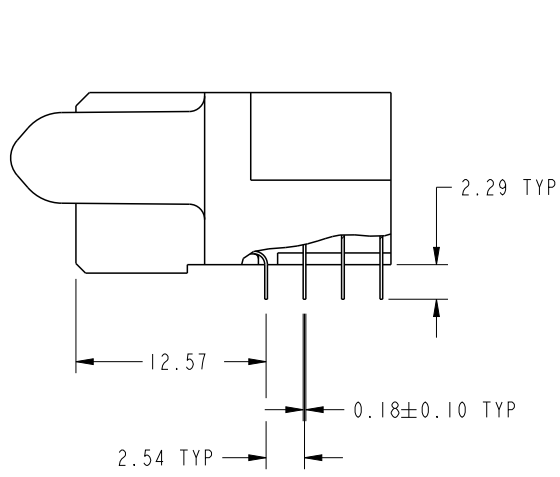
Copyright FCI.

spec ref	See Notes			dr	X Q Wang	2012/05/17	projection 	MM ←→	size	A4	scale	1:1		
tolerance std	TOLERANCES UNLESS OTHERWISE SPECIFIED			eng	Jackie Huang	2013/06/21			product family	PwrBlade	ecn no	-	rel level	Released
See Notes				chr	-	-					rev	A		
surface	linear	0.X	±0.50	www.fci.com	cat. no.	Product - Customer Drw	sheet 1 of 4	dwg no	51771-025	rev	A			
		0.XX	±0.25											
	angular	0°	±2°											

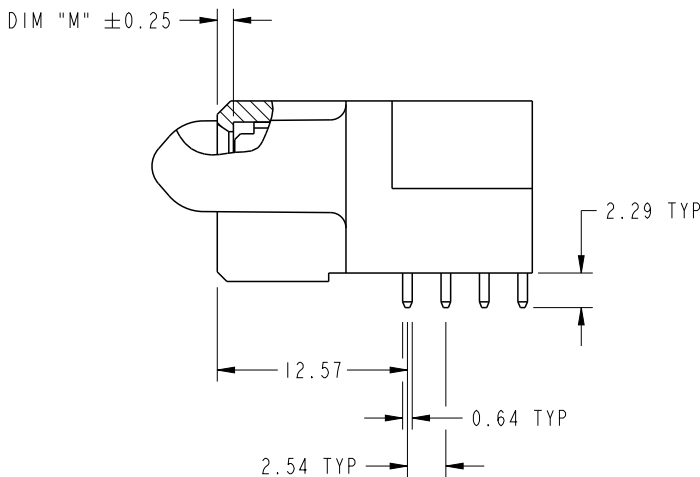
PrdE File - REV C - 2009-06-09

PRODUCT NUMBER

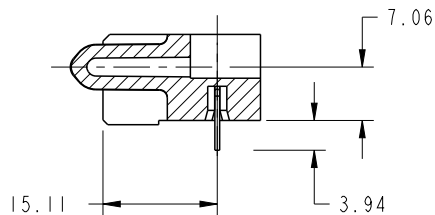
51771-025\_\_  
NOTE 3



BROKEN-OUT SECTION A-A  
SCALE 2:1



BROKEN-OUT SECTION B-B  
SCALE 2:1

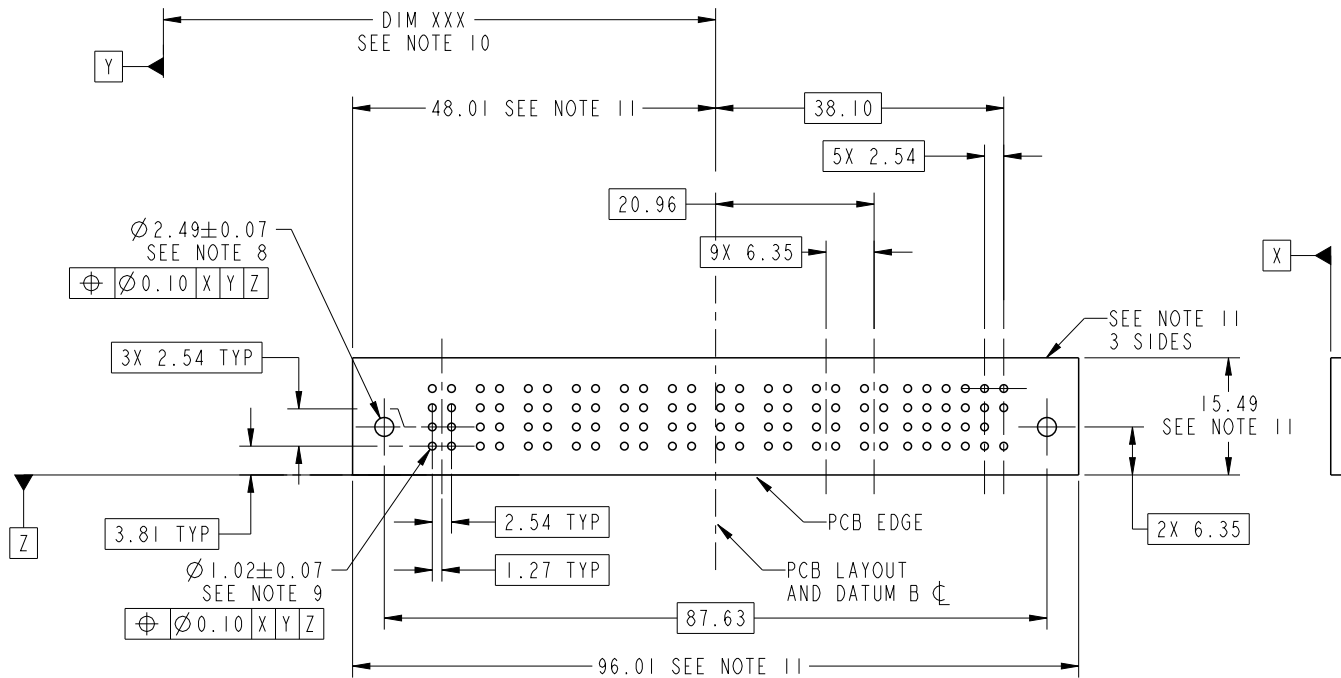


SECTION C-C

dr	X Q Wang	2012/05/17	projection 	MM ←————→	size	A4	scale	1:1
eng	Jackie Huang	2013/06/21			ecn no	-		
chr	-	-			rel level	Released		
appr	Pei-Ming Zheng	2013/06/21	product family	PwrBlade	rev	A		
		title	24S + 10P R/A SOLDER RECEPTACLE		dwg no	51771-025		
www.fci.com		cat. no.	Product - Customer Drw			sheet 2 of 4		

PRODUCT NUMBER

51771-025\_\_  
NOTE 3



RECOMMENDED PCB LAYOUT

dr	X Q Wang	2012/05/17	projection 	MM 	size	A4	scale	1:1
eng	Jackie Huang	2013/06/21			ecn no	-		
chr	-	-			rel level	Released		
appr	Pei-Ming Zheng	2013/06/21	product family	PwrBlade				
		title 24S + 10P R/A SOLDER RECEPTACLE	dwg no 51771-025	rev A				
www.fci.com		cat. no.	Product - Customer Drw			sheet 3 of 4		

PRODUCT NUMBER

51771-025--  
NOTE 3

NOTES:

1. DIMENSIONS AND TOLERANCES ARE IN ACCORDANCE WITH ASME Y14.5M, 1994 UNLESS OTHERWISE SPECIFIED.

CONNECTOR NOTES:

- 2. HOUSING MATERIAL: UL 94 V-0 GLASS FILLED HIGH-TEMP THERMOPLASTIC  
POWER CONTACT MATERIAL: COPPER ALLOY  
SIGNAL PIN MATERIAL: COPPER ALLOY
- 3. SEE ITEM 5 & 6 IN PRINT 10064183 FOR PLATING SPEC OF 51771-025 AND 51771-025LF RESPECTIVELY.
- 4. MANUFACTURER'S NAME, DATE CODE AND OPTIONAL P/N TO APPEAR ON THIS SURFACE. THE P/N CAN BE OMITTED IF THERE IS NOT ENOUGH SPACE ON THIS SURFACE.
- 5. PRODUCT SPECIFICATION GS-12-149.  
APPLICATION SPECIFICATION BUS-20-067.
- 6. PACKAGED IN TRAYS.

PCB NOTES:

- 7. ALL HOLE DIAMETERS ARE FINISHED HOLE SIZE.
- 8. MOUNTING HOLES, WHERE APPLICABLE, ARE UNPLATED.
- 9.  $\varnothing 1.151 \pm 0.025$  DRILLED HOLES PLATED WITH  
0.008 MIN SnPb OR Sn OVER 0.03  
TO 0.08 Cu PLATING TO ACHIEVE  
 $\varnothing 1.02 \pm .07$  HOLE.
- 10. "DIM XXX" TO BE DETERMINED BY THE CUSTOMER.
- 11. CONNECTOR KEEP-OUT ZONE.
- 12. THE VOID CORING IN BETWEEN POWER MODULES, SIGNAL MODULES AND END MODULES ARE OPTIONAL AND THE SHAPE MAY BE DIFFERENT FOR OPTIMIZE THE MOLDING PROCESS. THE VOID CORING WILL NOT EFFECT TO PRODUCT FUNCTION.

dr	X Q Wang	2012/05/17	projection 	MM 	size	A4	scale	1:1
eng	Jackie Huang	2013/06/21			ecn no	-		
chr	-	-						
appr	Pei-Ming Zheng	2013/06/21	product family	PwrBlade	rel level	Released		
	title	24S + 10P R/A SOLDER RECEPTACLE		dwg no	51771-025		rev	A
www.fci.com	cat. no.	Product - Customer Drw			sheet 4 of 4			