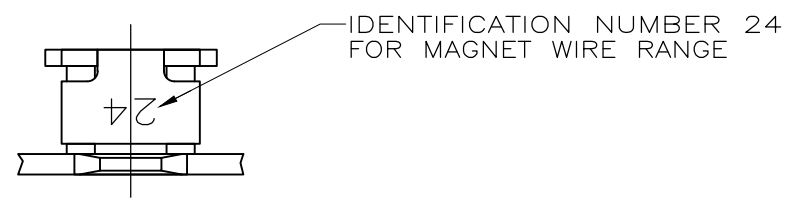
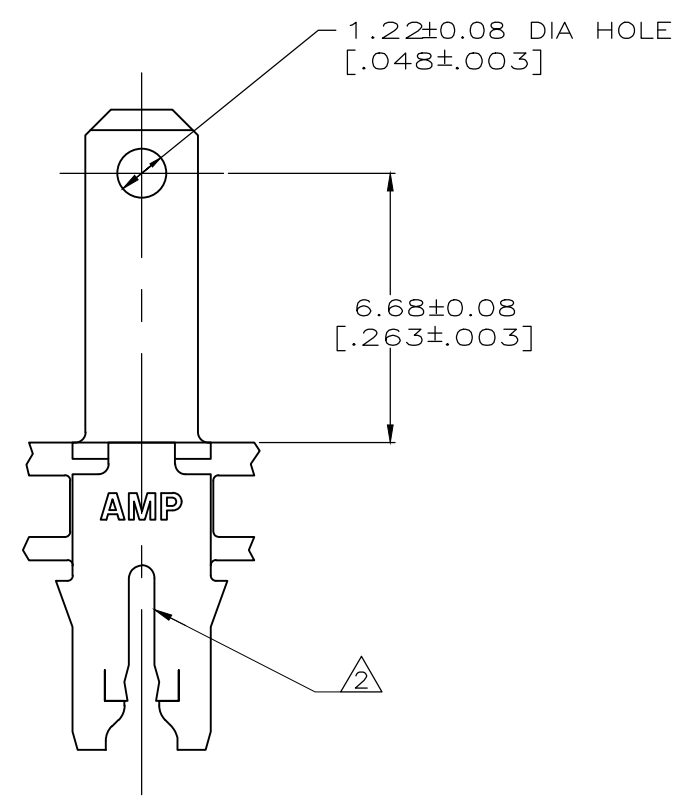
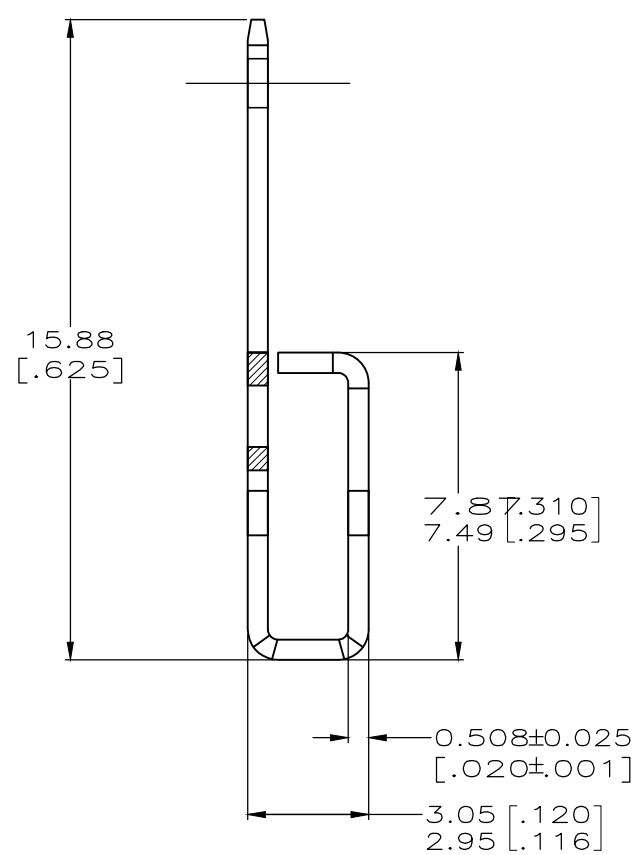
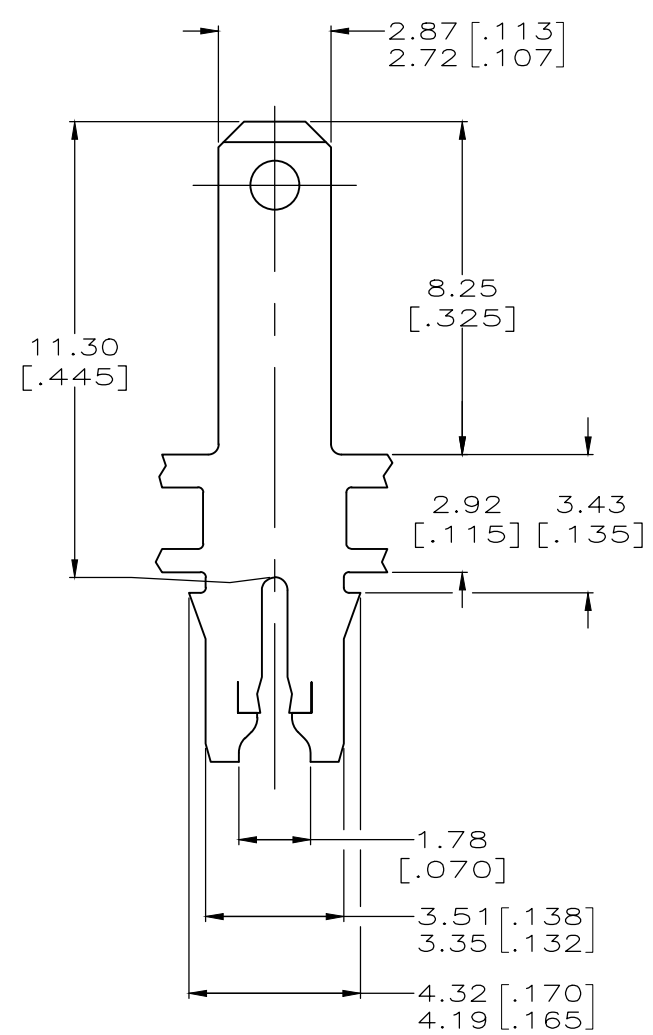


THIS DRAWING IS UNPUBLISHED. RELEASED FOR PUBLICATION  
 © COPYRIGHT - By - ALL RIGHTS RESERVED.

LOC	DIST	REVISIONS				
P	LTR	DESCRIPTION	DATE	DWN	APVD	
AF	50	G	WIRE SIZE EXTENDED TO 16.5AWG	11NOV2019	JA	PKS



- 1 CONTINUOUS STRIP ON REELS WITH TERMINALS LOCATED ON 5.59±0.08 [.220±.003] CENTERS.
- 2 SLOT TERMINATES A SINGLE MAGNET WIRE ONLY.
- COPPER RANGE: 0.91-1.20mm [#19-#16.5] AWG.
- ALUMINUM RANGE: 0.95-1.20mm [#18.5-#16.5] AWG.
- ALUMINUM WIRE RANGE APPLIES FOR POST-TIN PLATED VERSIONS ONLY.



63145-1  
PART NUMBER

THIS DRAWING IS A CONTROLLED DOCUMENT.		DWN 30MAR2001 MICHAEL S. FEHER	TE Connectivity			
DIMENSIONS: mm		CHK 30MAR2001 KURT A. RANDOLPH				NAME
TOLERANCES UNLESS OTHERWISE SPECIFIED:		APVD 30MAR2001 KURT A. RANDOLPH	TERMINAL, TAB, 2.79 [.110] FASTON, 300 SERIES MAG-MATE			
0 PLC ± - 1 PLC ± - 2 PLC ± 0.25 [.010] 3 PLC ± - 4 PLC ± - ANGLES ± -		PRODUCT SPEC 108-2012	SIZE	CAGE CODE	DRAWING NO	RESTRICTED TO
MATERIAL BRASS		FINISH TIN PLATED	114-2046	A300779	C-63145	-
CUSTOMER DRAWING			WEIGHT -	SCALE 8:1	SHEET 1 OF 1	REV G