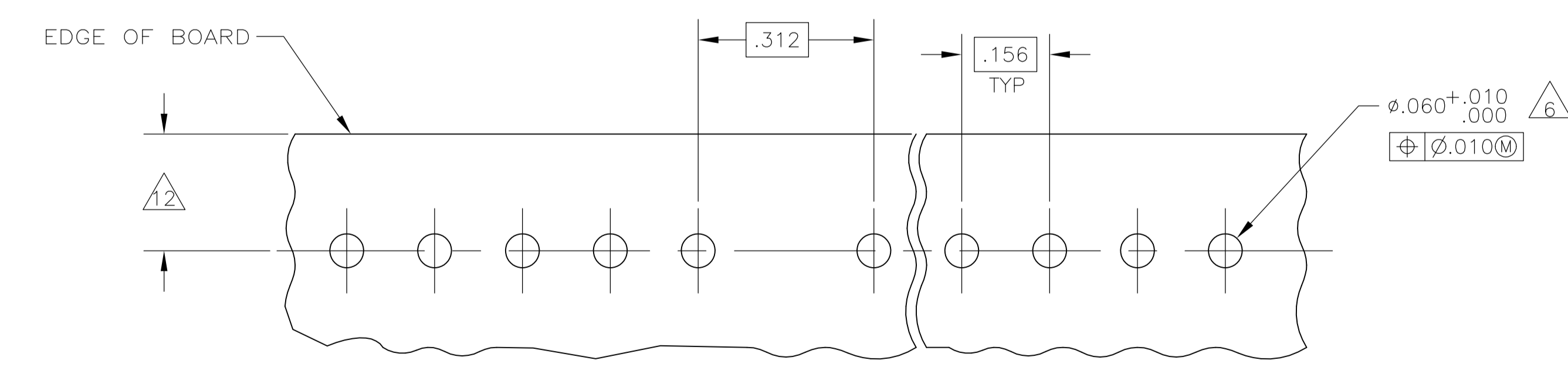
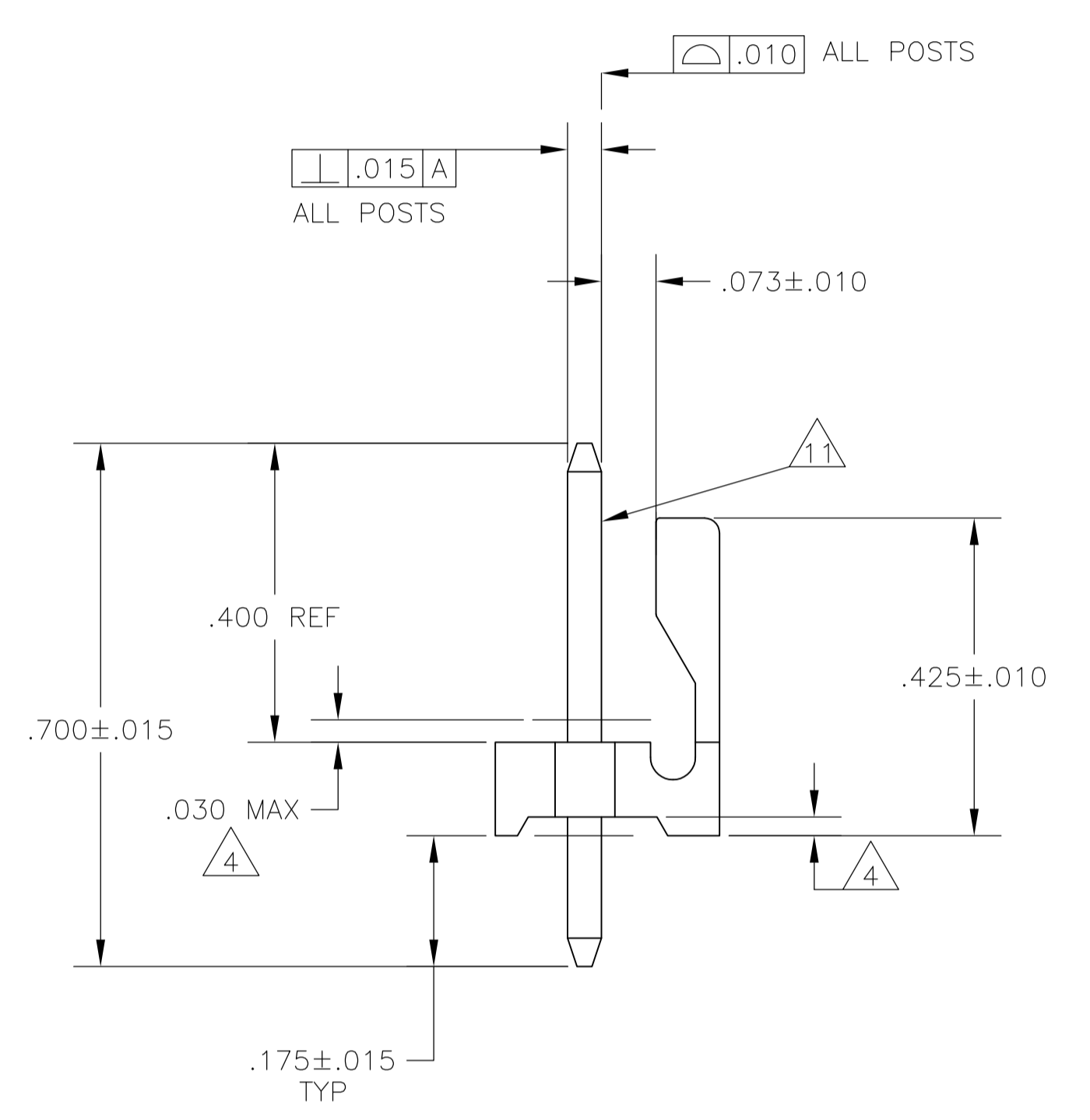
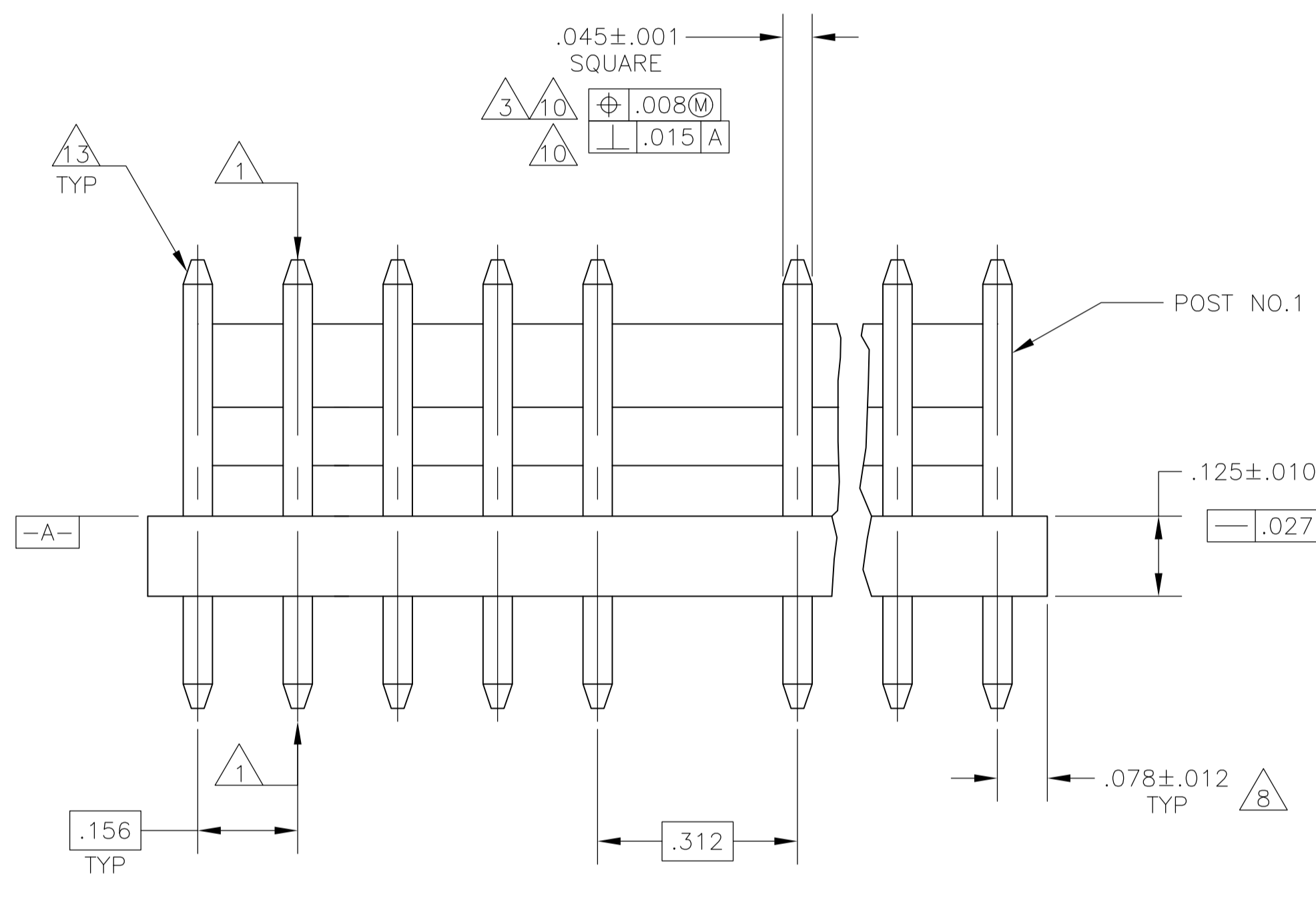
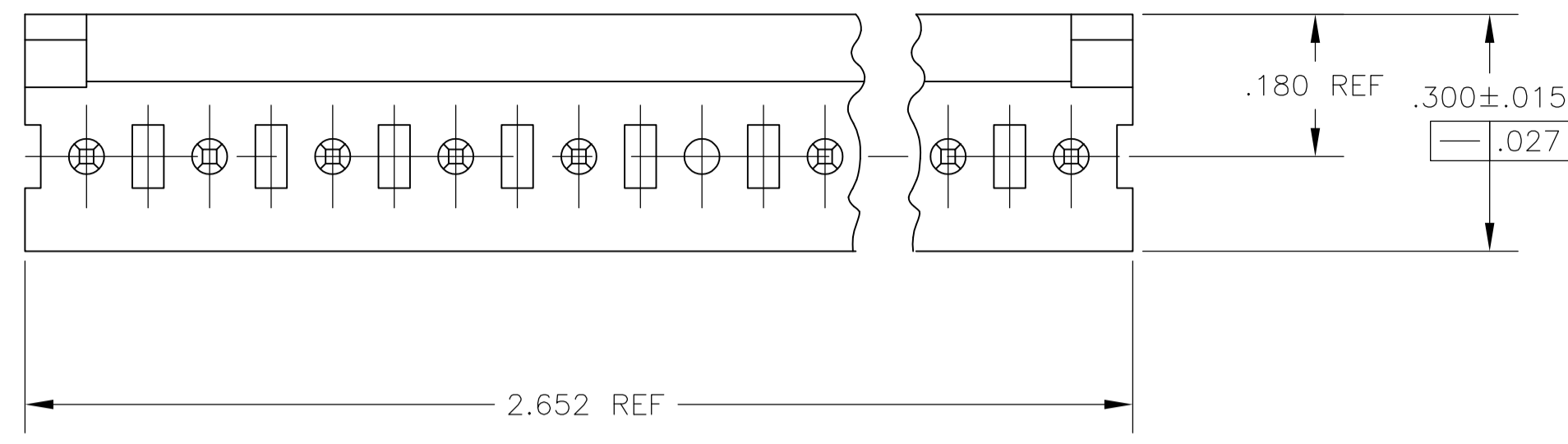


| LOC | | DIST | | REVISIONS | | | |
|-----|-----|---------------------------|---------|-----------|------|--|--|
| P | LTR | DESCRIPTION | DATE | DN | APVD | | |
| D | | REVISED PER ECO-12-016930 | 05OCT12 | KH | SM | | |
| D1 | | ECR-12-016748 | 30AUG13 | M.T | D.Z | | |



- 1 POST TO WITHSTAND 13 NEWTONS (3LBS.) MIN. AXIAL FORCE IN BOTH DIRECTIONS SHOWN WITHOUT DISLODGING.
- 2 TOLERANCES APPLY TO SOLDER SIDE OF BOARD.
- 3 MEASURED AT SURFACE -A-
- 4 PLASTIC FLASH PERMITTED IN THIS AREA.
- 5 PARTS COMPLY WITH AMP SOLDERABILITY SPEC. NO. 109-11-2.
- 6 ONE HOLE MAY BE UNDERSIZED (.051/.046 DIA.) FOR ASSEMBLY RETENTION DURING WAVE SOLDERING.
- 7 MATERIAL: HEADER-THERMOPLASTIC POLYESTER GLASS-FILLED 94V-0(NATURAL) POST-COPPER ALLOY (TIN PLATED)
- 8 COORDINATE DIMENSION APPLIES FROM CENTER OF ACTUAL FEATURE.
- 9 PLASTIC BURRS CAUSED BY CUT-OFF TOOLING ARE PERMITTED WITHIN THE MAXIMUM TOLERANCE ENVELOPE.
- 10 POST TO BE MEASURED WHEN STRIP IS HELD FLAT.
- 11 POST MUST WITHSTAND TWO 90° BENDS AGAINST EXTRUSION WITHOUT BREAKING.
- 12 DIMENSION SHOULD BE .175 MIN WHEN MATING WITH A MTA 156 CONNECTOR ASSEMBLY OR A SL-156 CONNECTOR ASSEMBLY.
- 13 PIN BURR OF .005 MAX. VERTICAL AND .003 MAX. HORIZONTAL PERMITTED AT POST TIPS ON BOTH ENDS.

| IN | MM | IN | MM |
|------|------|-------|-------|
| .060 | 1.52 | | |
| .051 | 1.30 | 2.652 | 67.36 |
| .046 | 1.17 | .750 | 19.05 |
| .045 | 1.14 | .450 | 11.43 |
| .030 | 0.76 | .425 | 10.80 |
| .027 | 0.69 | .312 | 7.92 |
| .015 | 0.38 | .300 | 7.62 |
| .012 | 0.30 | .180 | 4.57 |
| .010 | 0.25 | .175 | 4.45 |
| .008 | 0.20 | .156 | 3.96 |
| .005 | 0.13 | .125 | 3.18 |
| .003 | 0.08 | .078 | 1.98 |
| .001 | 0.03 | .073 | 1.85 |
| .000 | 0.00 | .063 | 1.60 |
| IN | MM | IN | MM |

CONVERSION TABLE

1) RECOMMENDED MOUNTING HOLE PATTERN FOR .109±0.016 THICK P.C. BOARD 2)

| | |
|---------------------|---------------------|
| 14 | 644873-3 |
| 11 | 644873-2 |
| 12 | 644873-1 |
| POST NUMBER OMITTED | PART NUMBER |

THIS DRAWING IS A CONTROLLED DOCUMENT.

| | | | |
|--------------------|--|----------------------|-------|
| DIMENSIONS: INCHES | TOLERANCES UNLESS OTHERWISE SPECIFIED: | DIN R VESTAL 25MAY95 | CM 54 |
| 0 PLC ± - | 1 PLC ± - | CHK R SWING 25MAY95 | |
| 2 PLC ± .005 | 3 PLC ± - | APVD D CLARK 25MAY95 | |
| 4 PLC ± - | ANGLES ± ± 0°30' | NAME | |

MATERIAL: FINISH:

MTA-156 HEADER ASSEMBLY, FRICTION LOCK, STRAIGHT, .045 ROUND POST, TIN PLATED, 17 POSITION, OMITTED POST

SIZE: A1 CASE CODE: 00779 DRAWING NO: 644873

WEIGHT: SCALE: 5:1 SHEET: 1 OF 1 REV: D1