

CHARACTERISSTICS

MATERIALS

- SHELL : BRASS
- SHELL PLATING : NICKEL
- NUT : BRASS
- NUT PLATING : NICKEL
- LATCH SLEEVE : BRASS
- LATCH SLEEVE PLATING : NICKEL
- CONTACTS : COPPER ALLOY
- CONTACT PLATING : 7µ" GOLD PLATED OVER 196µ" NICKEL MIN.
- INSULATOR : PPS (HIGH TEMPERATURE)

MECHANICAL

- DURABILITY: 5000 CYCLES
- OPERATING TEMP. RANGE: -40° C ~ +200° C
- PROCESS TEMPERATURE : 260° C FOR 5 SECONDS
- MAX. TORQUE VALUE : 6.0 Nm [53 IN/lbs]
- SHIELDING: 75dB @ 10MHZ
- 40dB @ 1GHz

IP RATING: 50

822B R YY - 2 1 3 R 00 1

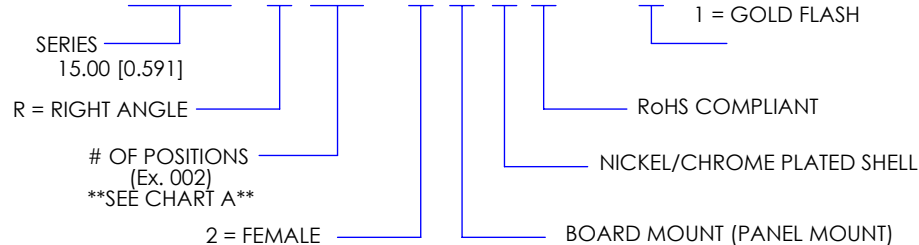
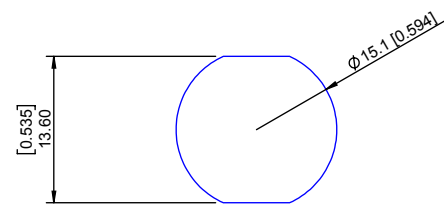


CHART A

● = KEY LOCATION

VIEW FROM TERMINATION END

 2 POSITION 12 AMP MAX. PIN Ø = 2.00 [0.079]	 3 POSITION 12 AMP MAX. PIN Ø = 1.60 [0.063]	 4 POSITION 12 AMP MAX. PIN Ø = 1.30 [0.051]	 6 POSITION 12 AMP MAX. PIN Ø = 1.30 [0.051]	 8 POSITION 6 AMP MAX. PIN Ø = 0.90 [0.035]	
CONTACT RESISTANCE = 3 mΩ TEST VOLTAGE = 2100V WORKING VOLTAGE = 700V	CONTACT RESISTANCE = 4 mΩ TEST VOLTAGE = 2400V WORKING VOLTAGE = 800V	CONTACT RESISTANCE = 5 mΩ TEST VOLTAGE = 1850V WORKING VOLTAGE = 610V	CONTACT RESISTANCE = 5 mΩ TEST VOLTAGE = 1350V WORKING VOLTAGE = 450V	CONTACT RESISTANCE = 6 mΩ TEST VOLTAGE = 1500V WORKING VOLTAGE = 500V	
 10 POSITION 6 AMP MAX. PIN Ø = 0.90 [0.035]	 12 POSITION 6 AMP MAX. PIN Ø = 0.70 [0.028]	 14 POSITION 6 AMP MAX. PIN Ø = 0.70 [0.028]	 16 POSITION 6 AMP MAX. PIN Ø = 0.70 [0.028]	 19 POSITION 5 AMP MAX. PIN Ø = 0.70 [0.028]	
CONTACT RESISTANCE = 6 mΩ TEST VOLTAGE = 1450V WORKING VOLTAGE = 500V	CONTACT RESISTANCE = 7.5 mΩ TEST VOLTAGE = 1250V WORKING VOLTAGE = 480V	CONTACT RESISTANCE = 7.5 mΩ TEST VOLTAGE = 1150V WORKING VOLTAGE = 380V	CONTACT RESISTANCE = 7.5 mΩ TEST VOLTAGE = 950V WORKING VOLTAGE = 315V	CONTACT RESISTANCE = 7.5 mΩ TEST VOLTAGE = 950V WORKING VOLTAGE = 315V	
 26 POSITION 2 AMP MAX. PIN Ø = 0.50 [0.020]	CONTACT RESISTANCE = 10 mΩ TEST VOLTAGE = 950V WORKING VOLTAGE = 315V				



PANEL CUTOUT

TOLERANCE = +0.10, -0.0
[+0.004, -0.00]

NOTE

SEE PAGE 2 FOR BOARD LAYOUTS

RoHS COMPLIANT

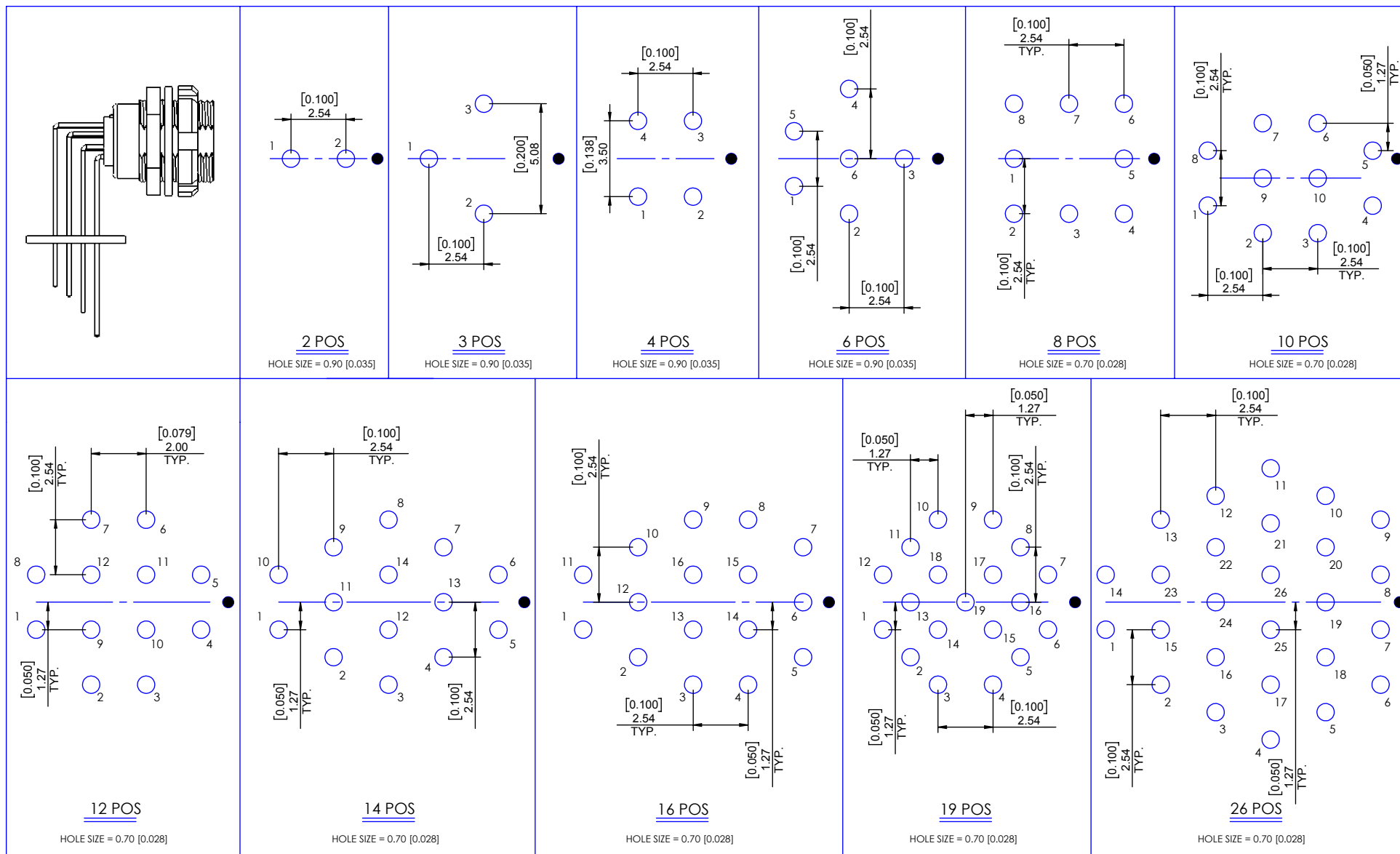
THESE DRAWINGS AND SPECIFICATIONS ARE THE PROPERTY OF NorComp AND SHALL NOT BE REPRODUCED, COPIED OR USED AS THE BASIS FOR THE MANUFACTURE OR SALE OF APPARATUS WITHOUT WRITTEN PERMISSION.

NorComp

DRAWN:	DATE:	SCALE:	SHEET	OF	REV:
M. SIGMON	02-15-16	N.T.S.	1	2	3
DWG NO.			822BRY-213R001		

BOARD LAYOUTS (TOP VIEW)

● = KEY LOCATION / PCB EDGE



RoHS COMPLIANT



THESE DRAWINGS AND SPECIFICATIONS ARE THE PROPERTY OF NorComp AND SHALL NOT BE REPRODUCED, COPIED OR USED AS THE BASIS FOR THE MANUFACTURE OR SALE OF APPARATUS WITHOUT WRITTEN PERMISSION.

NorComp

DRAWN: M. SIGMON	DATE: 02-10-16	SCALE: N.T.S.	SHEET 2	OF 2	REV: 3
			DWG NO. 822BRYY-213R001		