

LAYOUT SHOWN AS EXAMPLE

Keying Shown as example

**CHARACTERISTICS**

- Standard : Based on MIL-DTL-38999 Series III
- Shell Material : Composite
- Shell Plating : Olive drab Cadmium
- Insulator : Thermoplastic
- Contacts : Copper Alloy
- Seals & Grommet : Silicon Elastomer
- Contact Plating : Gold over copper Alloy 0.8µm minimum
- Durability : 500 Mating cycles
- Delivered with Souriau contacts and Accessories
- Temperature Range : -65°C to +175°C
- Salt Spray : 2000 hours
- Mass : 32.8 g ± 10%

| Connector dimension |             |
|---------------------|-------------|
| Dim                 | Nominal     |
| P                   | 3.25±0.2    |
| PP                  | 4.93±0.2    |
| R1                  | 26.97       |
| R2                  | 24.61       |
| S                   | 33.3±0.3    |
| V'                  | 19.5+1.4/-0 |
| W'                  | 2.1/3.65    |
| Z'                  | 32 Max      |
| VV THREAD           | M25x1-6g    |

SOURIAU shall not be liable for any non-conformity or damage due to a use of the Products which does not comply with the Specifications issued by either of the Parties or by a third party (professional recommendation, technical notice.)

|         |                             |
|---------|-----------------------------|
| Country | Jurisdiction & Control List |
| FR      | Not Listed                  |

**PN: 8D017J06SD**

|                                    |                                       |                                |   |
|------------------------------------|---------------------------------------|--------------------------------|---|
| B                                  | 10-04-17                              | Drawing Update                 |   |
| ISS                                | DATE                                  | Latest modification - by       | MOD N°  |
| Designed By:                       |                                       | Date:                          | <b>CUSTOMER DRAWING</b>   |
| <b>TITLE</b>                       | <b>Composite Receptacle 8D series</b> |                                |   |
| SCALE                              | NA                                    | General linear Tolerances: ±-- | NPRDS / PROJECT<br><b>859</b>   |
| <b>SOURIAU</b>                     | <b>WWW.SOURIAU.COM</b>                |                                | This document is the property of SOURIAU it must not be reproduced or communicated without permission |
| FORMAT                             | <b>A3</b>                             |                                | SHEET<br>1/2  |
| <b>SOURIAU DRG N° 8D017J06SD-C</b> |                                       |                                |   |

|                |                                    |   |   |    |   |    |   |   |                 |
|----------------|------------------------------------|---|---|----|---|----|---|---|-----------------|
| BASIC SERIES:  | 8D                                 | 0 | - | 17 | J | 06 | S | D | ORIENTATION : D |
| SHELL TYPE :   | Square Flange Receptacle           |   |   |    |   |    |   |   |                 |
| CONTACT TYPE : | Standard Crimp Contact             |   |   |    |   |    |   |   |                 |
| SHELL SIZE :   | 17                                 |   |   |    |   |    |   |   |                 |
| PLATING :      | J = Olive drab Cadmium             |   |   |    |   |    |   |   |                 |
|                | CONTACT TYPE : SOCKET(500 Matings) |   |   |    |   |    |   |   |                 |
|                | CONTACT LAYOUT : 17-06             |   |   |    |   |    |   |   |                 |

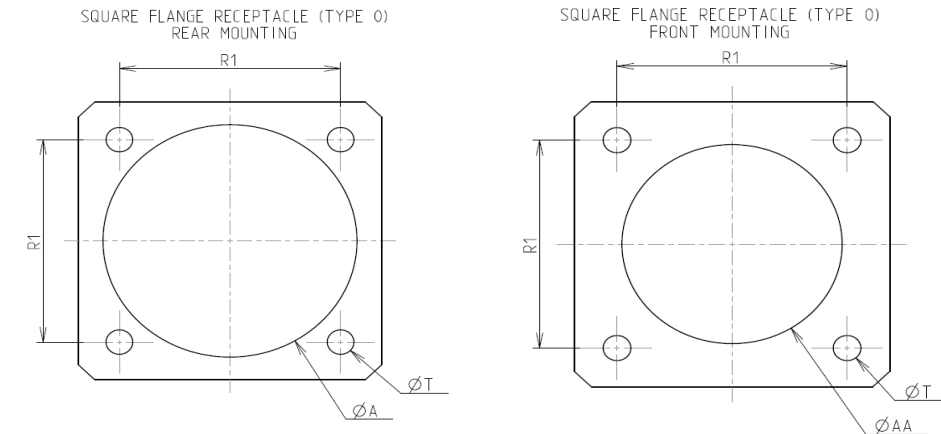
Contact Layout



| Contacts<br>(Insert arrangement 17-6) |             |             |
|---------------------------------------|-------------|-------------|
| Contact position ID                   | Location    |             |
|                                       | X-axis (mm) | Y-axis (mm) |
| A                                     | +121 (3.07) | +209 (5.31) |
| B                                     | +241 (6.12) | +000 (0.00) |
| C                                     | +000 (0.00) | -241 (6.12) |
| D                                     | -241 (6.12) | +000 (0.00) |
| E                                     | -121 (3.07) | +209 (5.31) |
| F                                     | +000 (0.00) | +000 (0.00) |

| Shell size | Arrangement no. | Number of contacts | Size contacts | Service rating | Contact location | Supersedes |
|------------|-----------------|--------------------|---------------|----------------|------------------|------------|
| 17         | -6              | 6                  | 12            | I              | All              | MS20053-6  |

Panel Cutout



Max. thickness panel for receptacle: Type 0: front mounting = 3.2 mm, rear mounting = 2.5 mm

| Dim | Nominal    |
|-----|------------|
| ØA  | 30.96 min  |
| ØAA | 25.81 min  |
| R1  | 26.97      |
| ØT  | 3.25 ±0.13 |

SOURIAU shall not be liable for any non-conformity or damage due to a use of the Products which does not comply with the Specifications issued by either of the Parties or by a third party (professional recommendation, technical notice.)

| Country | Jurisdiction & Control List |
|---------|-----------------------------|
| FR      | Not Listed                  |

PN: 8D017J06SD

|                |                                       |                            |   |
|----------------|---------------------------------------|----------------------------|---|
| B              | 10-04-17                              | Drawing Update             |   |
| ISS            | DATE                                  | Latest modification - by   | MOD N°  |
| Designed By:   |                                       | Date:                      | <b>CUSTOMER DRAWING</b>   |
| <b>TITLE</b>   | <b>Composite Receptacle 8D series</b> |                            |   |
| SCALE          |                                       | General linear Tolerances: | NPRDS / PROJECT   |
| NA             |                                       | ±--                        | <b>859</b>  |
| <b>SOURIAU</b> | <b>WWW.SOURIAU.COM</b>                |                            | This document is the property of SOURIAU it must not be reproduced or communicated without permission |
| FORMAT         | <b>SOURIAU DRG N° 8D017J06SD-C</b>    |                            | SHEET 2/2   |