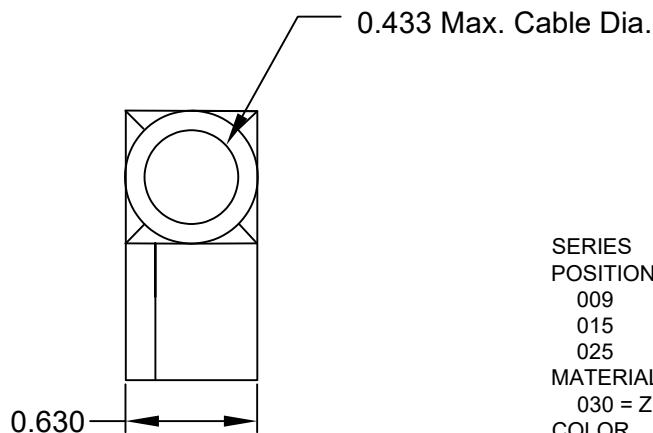
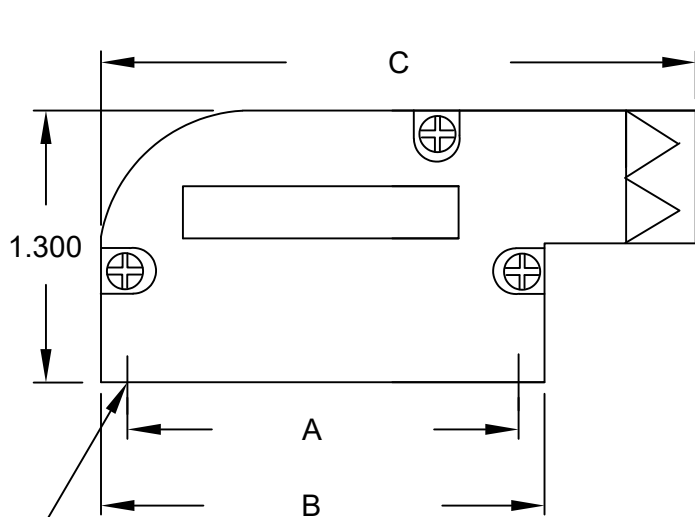


BACK SHELL KIT INCLUDES:

- 2 - BACK SHELL HALVES
- 3 - HOUSING SCREWS (#4-40, RECOMMENDED TORQUE 5.2 in-lbs)
- 1 - GROMMET TREE - VARIOUS SIZES
(NON-CONDUCTIVE GROMMETS)
P/N = 162-000-925R000

DIMENSIONS(in)			
SIZE	A ^{±0.010}	B ^{±0.015}	C ^{±0.015}
9	0.984	1.240	1.850
15	1.312	1.555	2.323
25	1.852	2.106	2.835



981-YYY-030R121

SERIES _____
 POSITIONS _____
 009 _____
 015 _____
 025 _____
 MATERIAL _____
 030 = ZINC _____
 COLOR _____
 12 = NICKEL OVER COPPER _____
 PUT-UPS _____
 1 = KIT _____

#4-40 INTERNAL THREADS

MATERIAL: DIE-CAST ZINC ALLOY, NICKEL PLATED
 OPERATING TEMPERATURE: -45°C TO +120°C

RoHS COMPLIANT

UNITS = inch

DO NOT SCALE FROM DRAWING



THESE DRAWINGS AND SPECIFICATIONS ARE THE PROPERTY OF NorComp AND SHALL NOT BE REPRODUCED, COPIED OR USED AS THE BASIS FOR THE MANUFACTURE OR SALE OF APPARATUS WITHOUT WRITTEN PERMISSION.

DRAWN:
P. JENKINS

DATE:
07/28/2005

NorComp

SCALE:
NTS

SHEET 1 OF 1

REV 4

DWG NO.

981-YYY-030R121