

Customer Information Sheet

DRAWING No. : M40-320XX45R

SHEET 3 OF 4

IF IN DOUBT - ASK

(C)

NOT TO SCALE

THIRD ANGLE PROJECTION

ALL DIMENSIONS IN mm

SPECIFICATIONS:

MATERIAL:
 MOULDING = GLASS FILLED PA9T,
 UL94V-0, BLACK

CONTACTS = BRASS

FINISH:
 45 = GOLD FLASH OVER NICKEL

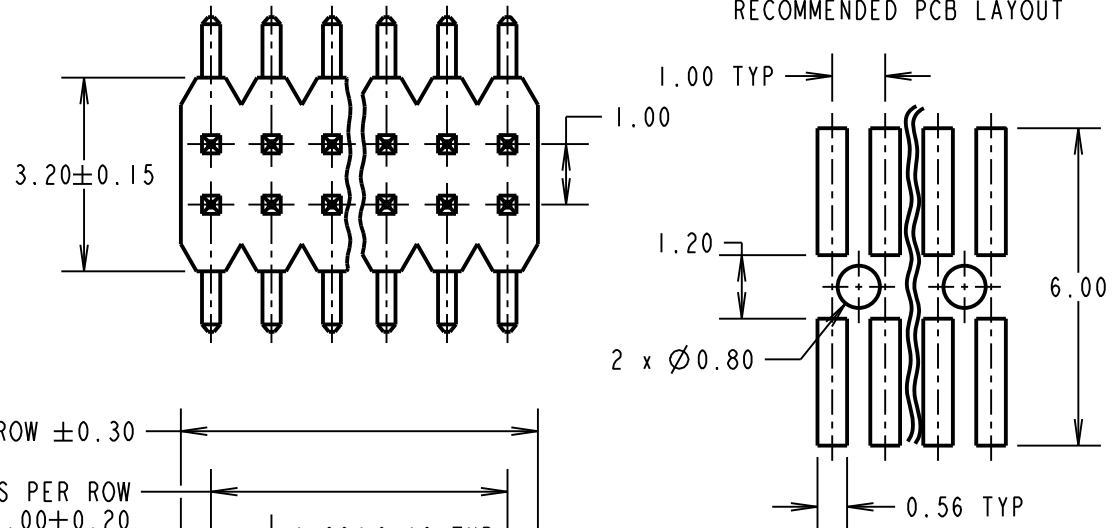
ELECTRICAL:
 CURRENT RATING = 1.0A
 CONTACT RESISTANCE = 30 mΩ MAX
 INSULATION RESISTANCE = 1000 MΩ MIN

MECHANICAL:
 DURABILITY = 300 OPERATIONS
 DIELECTRIC STRENGTH = 500V AC/DC

ENVIRONMENTAL:
 TEMPERATURE RANGE = -40°C TO +105°C

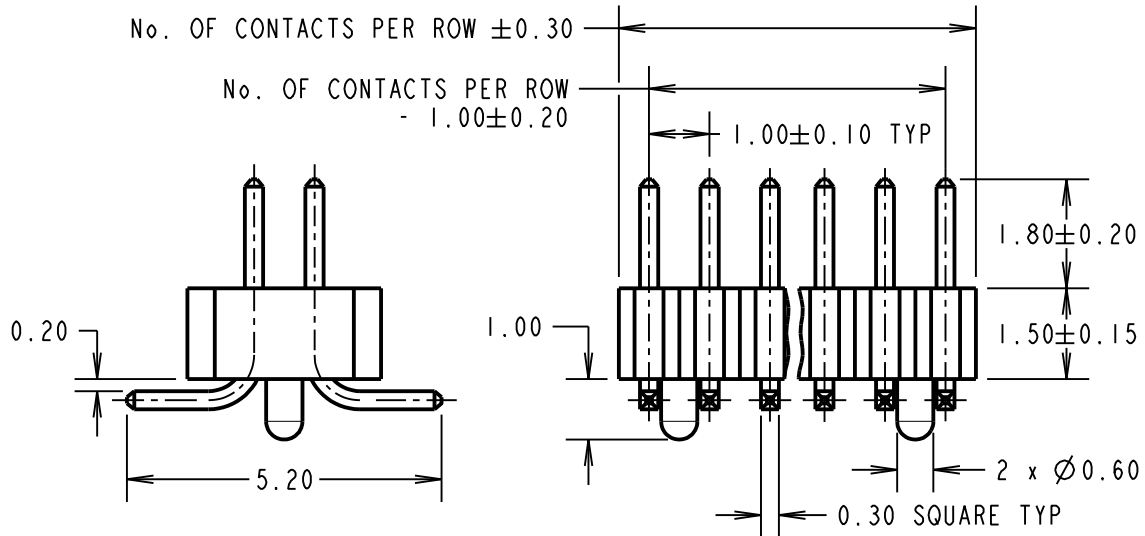
FOR COMPLETE SPECIFICATION, SEE
 COMPONENT SPECIFICATION C026XX (LATEST ISSUE)

RECOMMENDED PCB LAYOUT



ORDER CODE:
M40-320XX45R

No. OF CONTACTS PER ROW
 03, 04, 05, 06, 08, 10, 20
 25



- NOTES:**
- ALL TOLERANCES ARE ±0.25 UNLESS OTHERWISE STATED.
 - CAP REMOVED FROM MAIN VIEWS FOR CLARITY, PART COMES FITTED WITH CAP. SEE SHEET 4 FOR CAP DETAILS.

MSP	3	14.09.17	20547
NAME	ISS.	DATE	C/NOTE
APPROVED: M.PERREN			
CHECKED: S.BENNETT			
DRAWN: R.ADDE			
CUSTOMER REF.:			
ASSEMBLY DRG:			



THIS DRAWING AND ANY INFORMATION OR DESCRIPTIVE MATTER SET OUT HEREON ARE CONFIDENTIAL AND COPYRIGHT PROPERTY OF THE HARWIN GROUP AND MUST NOT BE DISCLOSED, LOANED, COPIED OR USED FOR MANUFACTURING, TENDERING OR FOR ANY OTHER PURPOSE WITHOUT THEIR WRITTEN PERMISSION.

TOLERANCES

~~X.X = ±1mm~~
~~X.XX = ±0.50mm~~
~~X.XXX = ±0.10mm~~
~~X.XXXX = ±0.01mm~~

ANGLES = ±5°
 UNLESS STATED

MATERIAL:
 SEE ABOVE

FINISH: SEE ABOVE

S/AREA: mm²

TITLE: 1.00mm PITCH DIL SMT PIN HEADER ASSEMBLY (TAPE & REEL)

DRAWING NUMBER:
M40-320XX45R

SHT 3 OF 4

Customer Information Sheet

DRAWING No.: M40-320XX45R

SHEET 4 OF 4

IF IN DOUBT - ASK

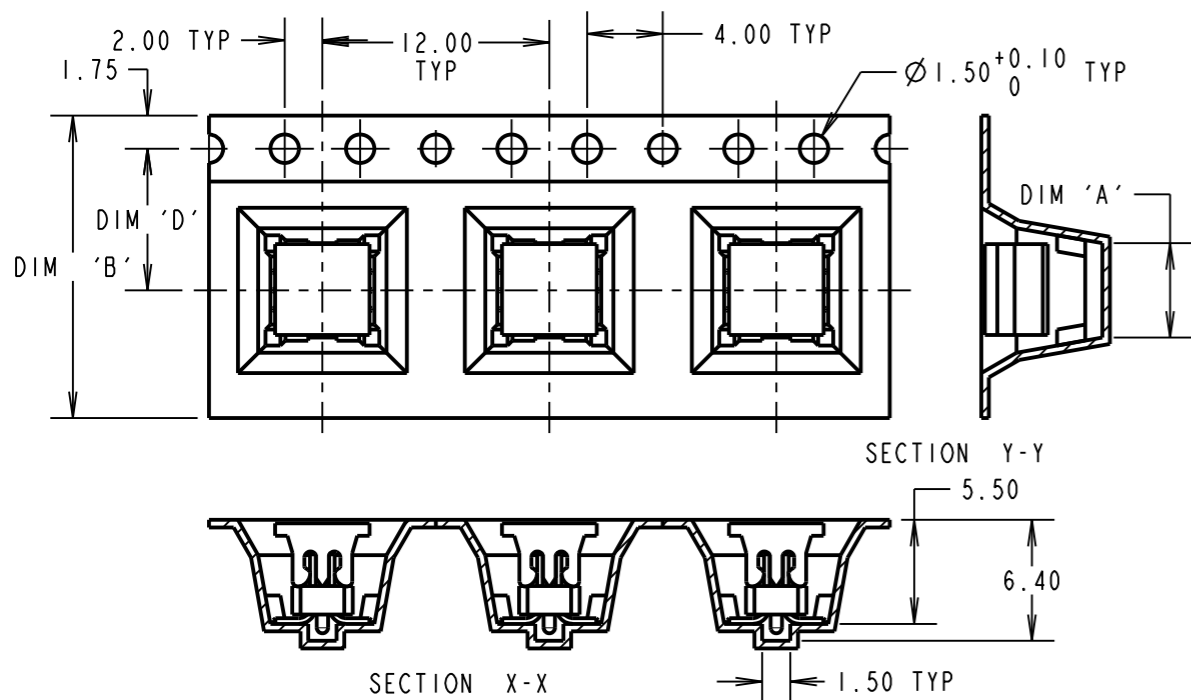
©

NOT TO SCALE

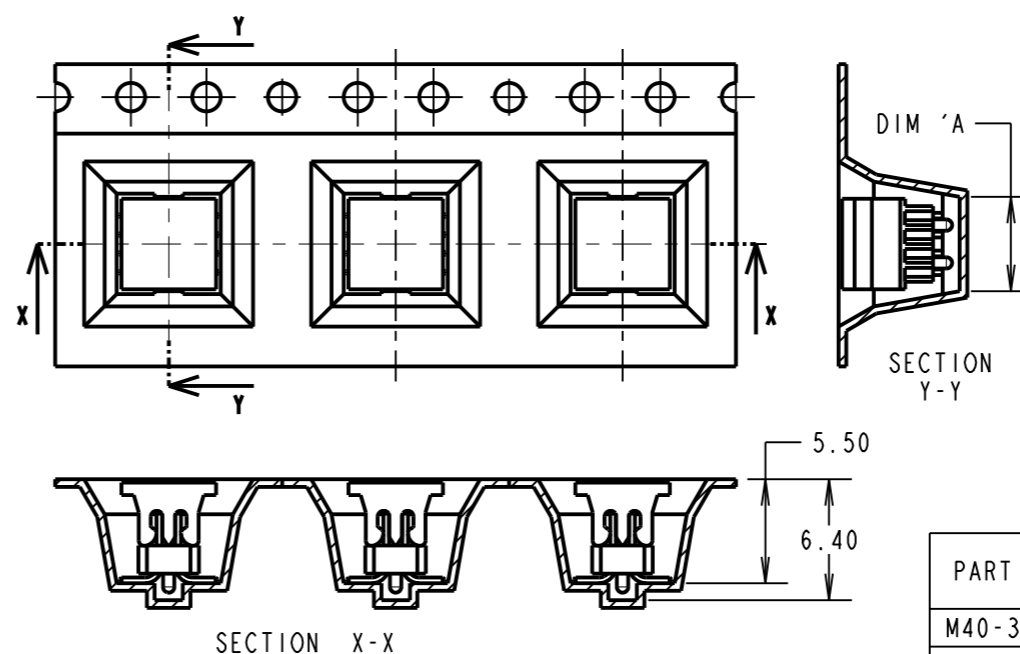
THIRD ANGLE PROJECTION

ALL DIMENSIONS IN mm

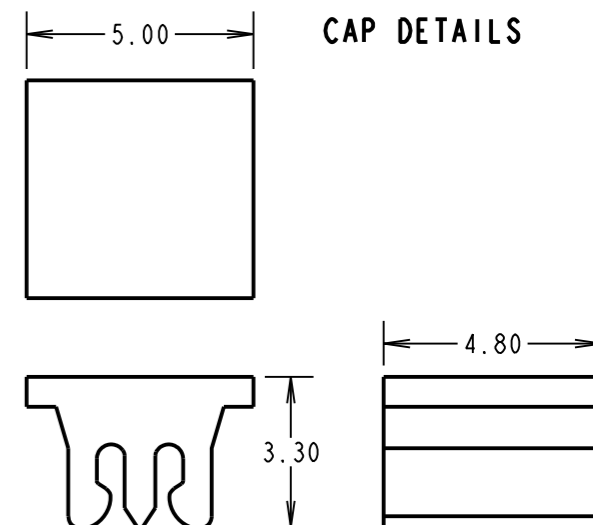
3 WAY STYLE



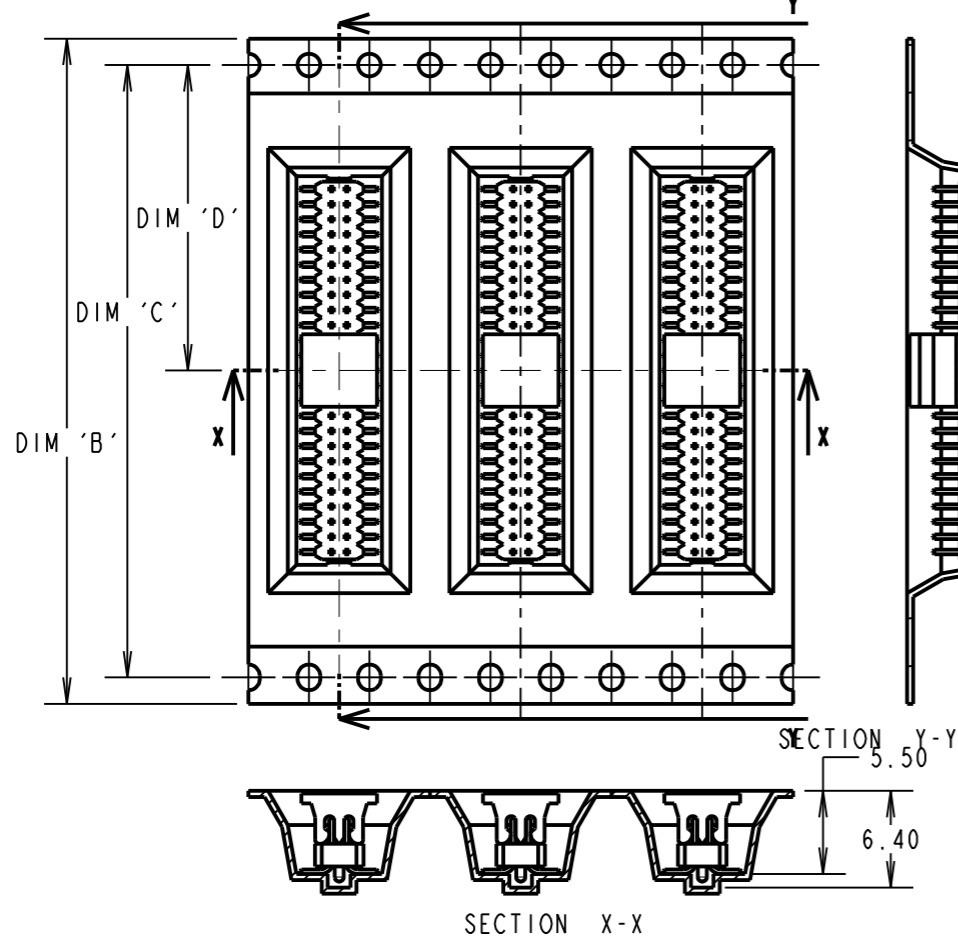
4 TO 10 WAY STYLE



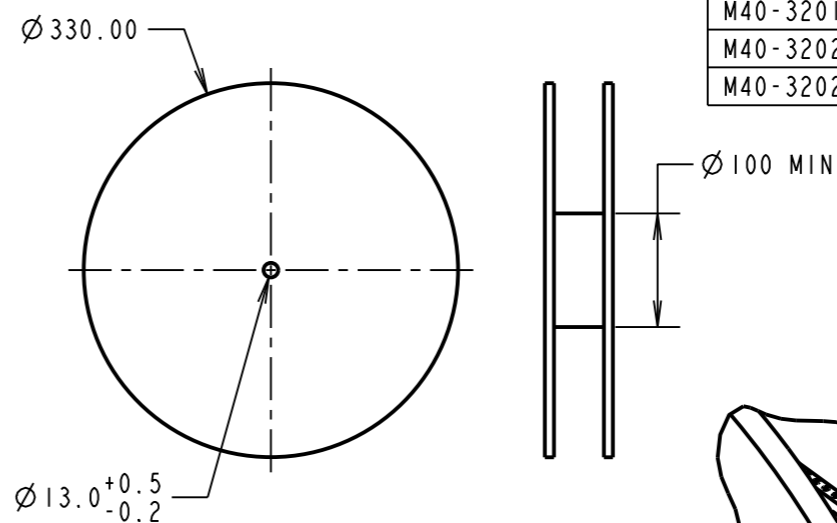
CAP DETAILS



20 & 25 WAY STYLE



REEL DETAILS



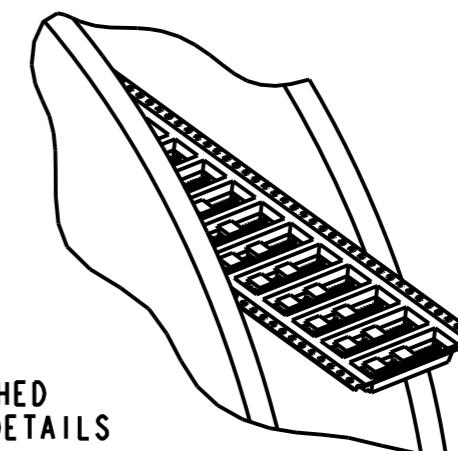
PART NUMBER	DIM 'A'	DIM 'B'	DIM 'C'	DIM 'D'
M40-3200345R	5.00	16.00±0.30	X	7.50±0.10
M40-3200445R	5.00			
M40-3200545R	5.40			
M40-3200645R	6.40	24.00±0.30	X	11.50±0.10
M40-3200845R	8.40			
M40-3201045R	10.40	44.00±0.30	40.40	20.20±0.15
M40-3202045R	20.40			
M40-3202545R	25.40			

ORDER CODE:

M40-320XX45R

No. OF CONTACTS PER ROW
03, 04, 05, 06, 08, 10, 20
25

FINISHED REELING DETAILS



NOTES:

- FOR CONNECTOR DIMENSIONS, SEE SHEET 3.
- TAPE & REEL TO BE IN ACCORDANCE WITH EIA-481 (ELECTRONIC INDUSTRIES ASSOCIATION).
- PICK & PLACE CAP IS THE SAME FOR ALL SIZES.
- QUANTITY PER REEL FOR ALL SIZES = 800.
- TAPE THICKNESS FOR ALL WAYS IS 0.40±0.10.

HARWIN

www.harwin.com
technical@harwin.com

THIS DRAWING AND ANY INFORMATION OR DESCRIPTIVE MATTER SET OUT HEREON ARE CONFIDENTIAL AND COPYRIGHT PROPERTY OF THE HARWIN GROUP AND MUST NOT BE DISCLOSED, LOANED, COPIED OR USED FOR MANUFACTURING, TENDERING OR FOR ANY OTHER PURPOSE WITHOUT THEIR WRITTEN PERMISSION.

TOLERANCES
X. = ±1mm
X.X = ±0.50mm
X.XX = ±0.10mm
X.XXX = ±0.01mm
ANGLES = ±5°
UNLESS STATED

MATERIAL:

SEE SHEET 3

FINISH: SEE SHEET 3

S/AREA:

mm²

TITLE: 1.00mm PITCH DIL
SMT PIN HEADER ASSEMBLY
(TAPE & REEL)

DRAWING NUMBER:

M40-320XX45R

MSP	3	14.08.17	20547
NAME	ISS.	DATE	C/NOTE
APPROVED:		M.PERREN	
CHECKED:		S.BENNETT	
DRAWN:		R.ADDE	
CUSTOMER REF.:			
ASSEMBLY DRG:			

SHT
4 OF 4