

12G SDI 75 Ohm BNC Female Right Angle Bulkhead Mount Connector Solder Attachment 0.062" PCB

RF Connectors Technical Data Sheet

PE40008

Configuration

- BNC Female Connector
- 75 Ohms
- Right Angle Body Geometry
- Connector Interface Types: 0.062" Board Thickness
- Bulkhead

Features

- Max. Operating Frequency 12 GHz
- Gold Plated Brass Contact
- 10 µin contact plating
- Balanced Mass Distribution allows Automated Pick and Place Assembly
- Meets SMPTE ST 2082-1
- Backwards Compatible with 2081-1
- 12Gb/s Transmission
- Cost Effective

Applications

- General Purpose Test
- Rack and Panel Mount Applications
- PCB Applications
- CATV
- 12G-SDI, Video, and Broadband UHDTV
- Broadband Internet Delivery
- Broadcast A/V
- 4K/8K Video Equipment
- Medical Equipment Requiring High Speed Video
- HD Cameras

Description

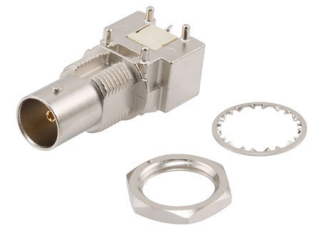
Pasternack's PE40008 75 ohm BNC female right angle bulkhead connector with solder attachment for 0.062" Board Thickness PCB is part of our full line of RF components available for same-day shipping. Our BNC female connector operates up to a maximum frequency of 12 GHz. Its right angle body geometry allows for easier connections in tight spaces. This BNC bulkhead connector allows designers to create external connections on their product enclosures, and can be used in a variety of other rack mount and panel mount applications. Pasternack's 12G-SDI BNC connector PE40008 utilizes 12Gb/s data transfer rates to enable high resolution uncompressed video signal transmission. These products offer 4K and Ultra-HD quality signals that meet SMPTE Standard 2082-1. These 75 Ohm connectors are available in PCB edge-mount, straight, or right angle configurations, as well as coaxial connectors to be used in industry standard cable assemblies.

Our 75 ohm BNC female right angle bulkhead connector PE40008 datasheet specifications and drawing with dimensions are shown below in this PDF. Pasternack's broad catalog of RF, microwave and millimeter wave connectors allows designers to configure and customize their signal connections however they like. Whether the need is to provide an I/O for a board design, or simply create a custom cable assembly configuration, Pasternack has the right connector for the job. Pasternack can also expertly build your custom cable assemblies for you and ship same-day.

Electrical Specifications

Description	Minimum	Typical	Maximum	Units
Frequency Range	DC		12	GHz

Click the following link (or enter part number in "SEARCH" on website) to obtain additional part information including price, inventory and certifications: [12G SDI 75 Ohm BNC Female Right Angle Bulkhead Mount Connector Solder Attachment 0.062" PCB PE40008](#)



12G SDI 75 Ohm BNC Female Right Angle Bulkhead Mount Connector Solder Attachment 0.062" PCB

RF Connectors
Technical Data Sheet

PE40008

Mechanical Specifications

Size	
Length	1.35 in [34.29 mm]
Width/Dia.	0.602 in [15.29 mm]
Height	0.55 in [13.97 mm]
Weight	0.05 lbs [22.68 g]

Material Specifications

Description	Material	Plating
Contact	Brass	Gold 10 µin
Insulation	LCP	
Outer Conductor	Zinc	
Washer	Brass	

Environmental Specifications

Compliance Certifications (see [product page](#) for current document)

Plotted and Other Data

Notes:

12G SDI 75 Ohm BNC Female Right Angle Bulkhead Mount Connector Solder Attachment 0.062" PCB from Pasternack Enterprises has same day shipment for domestic and International orders. Our RF, microwave and millimeter wave products maintain a 99.4% availability and are part of the broadest selection in the industry.

Click the following link (or enter part number in "SEARCH" on website) to obtain additional part information including price, inventory and certifications: [12G SDI 75 Ohm BNC Female Right Angle Bulkhead Mount Connector Solder Attachment 0.062" PCB PE40008](#)

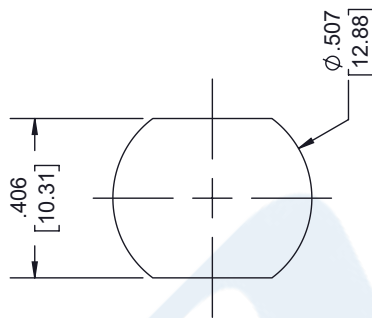
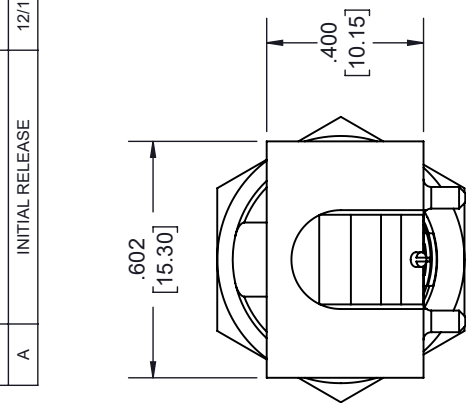
URL: <https://www.pasternack.com/bnc-female-0.062-inch-pcb-pcb-connector-pe40008-p.aspx>

The information contained in this document is accurate to the best of our knowledge and representative of the part described herein. It may be necessary to make modifications to the part and/or the documentation of the part, in order to implement improvements. Pasternack reserves the right to make such changes as required. Unless otherwise stated, all specifications are nominal. Pasternack does not make any representation or warranty regarding the suitability of the part described herein for any particular purpose, and Pasternack does not assume any liability arising out of the use of any part or documentation.

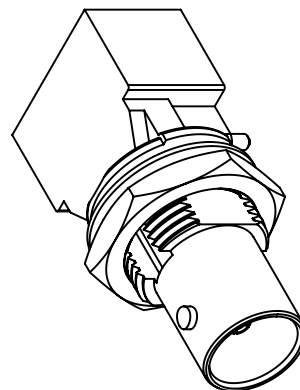
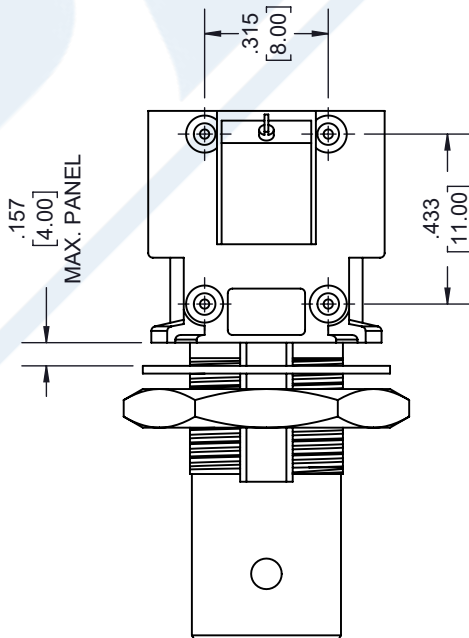
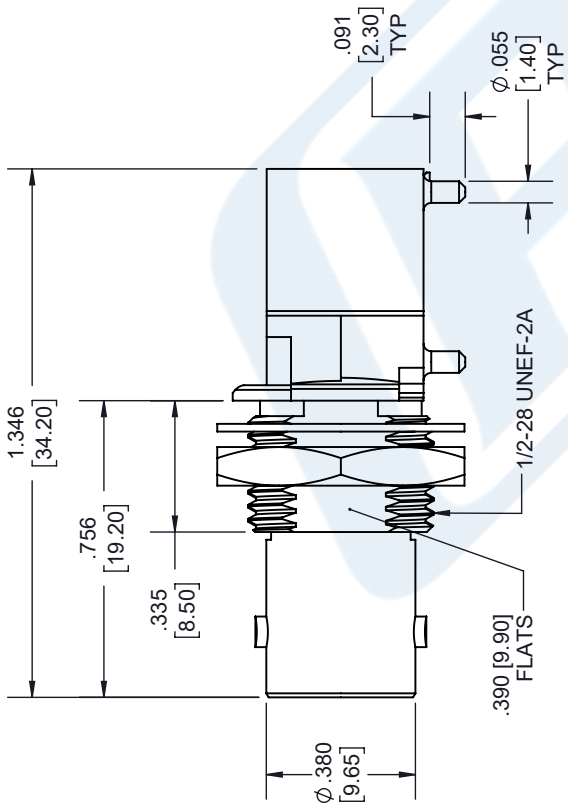
PE40008 CAD Drawing

12G SDI 75 Ohm BNC Female Right Angle Bulkhead Mount Connector Solder Attachment 0.062" PCB

REVISIONS			
REV.	DESCRIPTION	DATE	APPROVED
A	INITIAL RELEASE	12/10/2021	A. GANWANI



MOUNTING HOLE



UNLESS OTHERWISE SPECIFIED LEADING DIMENSIONS ARE INCHES DIMENSIONS IN [] ARE MILLIMETERS

TOLERANCES:
 .X = ±.2 [5.08] FRACTIONS ± 1/32
 .XX = ±.02 [.51] ± 1/32
 .XXX = ±.005 [.13] ANGLES ± 1°
 CABLE LENGTH (L), TOLERANCES:
 L ≤ 12 [305] = +1 [25] / -0
 12 [305] < L ≤ 60 [1524] = +2 [51] / -0
 60 [1524] < L ≤ 120 [3048] = +4 [102] / -0
 120 [3048] < L ≤ 300 [7620] = +6 [152] / -0
 300 [7620] < L = +5% / -0
 ALL DIMENSIONS SHOWN ARE FOR REFERENCE ONLY.

THIRD-ANGLE PROJECTION
 THE INFORMATION AND DESIGN IN THIS DOCUMENT IS THE PROPERTY OF PASTERNAK CORPORATION ALL RIGHTS RESERVED.

SHEET 1 OF 2

SCALE N/A



Pasternack Enterprises, Inc.
 P. O. Box 16759, Irvine, CA 92623.
 Phone: 1.949.261.1920 | 1.866.727.8376
 Fax: 1.949.261.7451
 Website: www.pasternack.com
 E-mail: sales@pasternack.com

ITEM NO. PE40008

SIZE A CAGE CODE 53919 DRAWN BY K.DANG

REV A