



50ohm N plug to N jack DC Block inner from 30 MHz to 1000 MHz rated 1000 Volt in Brass

DC Blocks Technical Data Sheet

PE8276

Features

- Inner DC Blocks with Brass Body
- N-Type connectorized configuration
- Operates from 30 MHz to 1000 MHz
- 50 Ohm Impedance

Applications

- Test & Measurement
- Ground Loop Elimination
- Signal to Noise Ratio (SNR) Improvement

Description

Pasternack's PE8276 is an inner DC block with N connectors. It has a blocking capacitor on the inner conductor and operates from 30 MHz to 1 GHz. Our N DC block offers good insertion loss of 0.2 dB and has a maximum operating voltage of 1000 Vdc. DC blocks are commonly used to filter out unwanted DC signals, while allowing AC drive signals to pass through. They can help improve signal to noise ratio (SNR), eliminate ground loops, or provide isolation in your test setup. All of Pasternack's DC blocks are in stock and available to ship same-day.

Electrical Specifications

Description	Minimum	Typical	Maximum	Units
Frequency Range	30		1,000	MHz
Impedance		50		Ohms
VSWR			1.2:1	
Insertion Loss			0.2	dB
Operating Voltage (DC)			1,000	Volts

Mechanical Specifications

Size

Length	2.41 in [61.21 mm]
Width	0.827 in [21.01 mm]
Height	0.827 in [21.01 mm]
Weight	0.15 lbs [68.04 g]

Housing Material and Plating

Brass, Tri-Metal

Configuration

Package Type Connectorized

Description	Connector 1	Connector 2
Type	N Male	N Female
Inner Conductor Material and Plating	Beryllium Copper, Gold	Bronze, Gold

Click the following link (or enter part number in "SEARCH" on website) to obtain additional part information including price, inventory and certifications: [50ohm N plug to N jack DC Block inner from 30 MHz to 1000 MHz rated 1000 Volt in Brass PE8276](#)



50ohm N plug to N jack DC Block inner from
30 MHz to 1000 MHz rated 1000 Volt in Brass

DC Blocks Technical Data Sheet

PE8276

Compliance Certifications (see [product page](#) for current document)

Plotted and Other Data

Notes:

50ohm N plug to N jack DC Block inner from 30 MHz to 1000 MHz rated 1000 Volt in Brass from Pasternack Enterprises has same day shipment for domestic and International orders. Our RF, microwave and millimeter wave products maintain a 99.4% availability and are part of the broadest selection in the industry.

Click the following link (or enter part number in "SEARCH" on website) to obtain additional part information including price, inventory and certifications: [50ohm N plug to N jack DC Block inner from 30 MHz to 1000 MHz rated 1000 Volt in Brass PE8276](#)

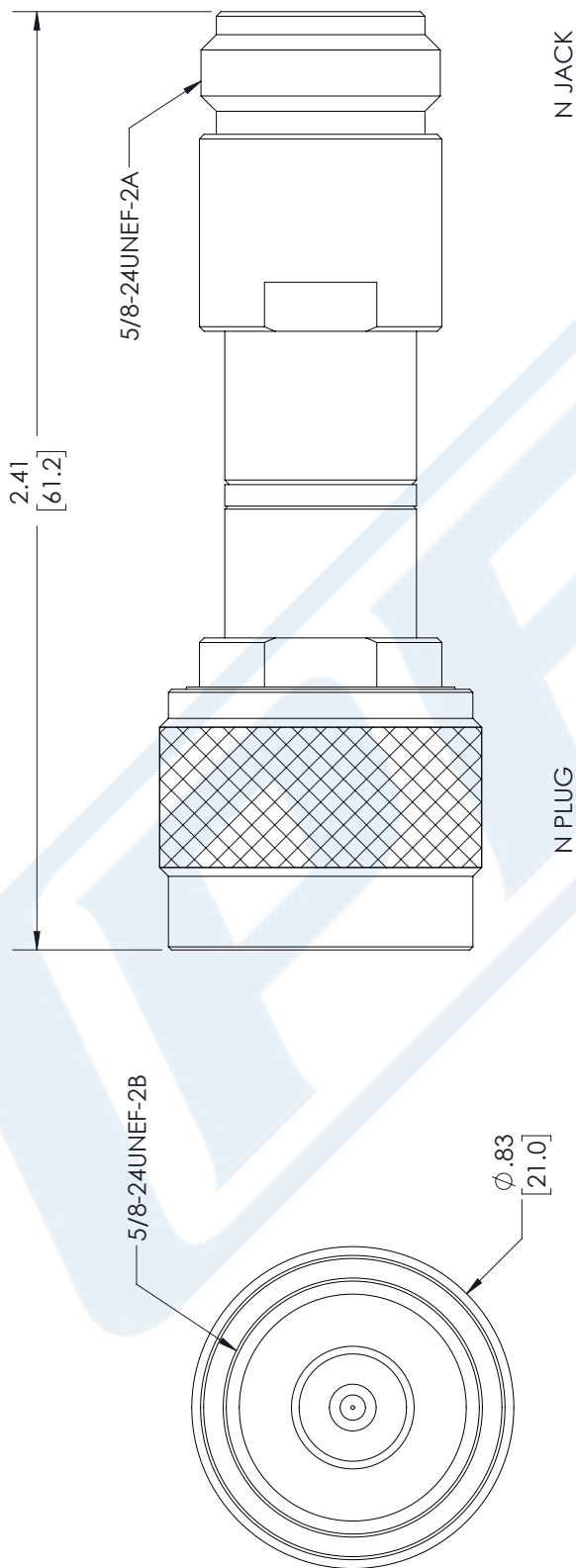
URL: <https://www.pasternack.com/50-ohm-n-dc-block-30-1000-mhz-pe8276-p.aspx>

The information contained in this document is accurate to the best of our knowledge and representative of the part described herein. It may be necessary to make modifications to the part and/or the documentation of the part, in order to implement improvements. Pasternack reserves the right to make such changes as required. Unless otherwise stated, all specifications are nominal. Pasternack does not make any representation or warranty regarding the suitability of the part described herein for any particular purpose, and Pasternack does not assume any liability arising out of the use of any part or documentation.

PE8276 CAD Drawing

50ohm N plug to N jack DC Block inner from 30 MHz to 1000 MHz rated 1000 Volt in Brass

REVISIONS			
REV.	DESCRIPTION	DATE	APPROVED
A	INITIAL RELEASE	1/25/22	JNAJERA



UNLESS OTHERWISE SPECIFIED
LEADING DIMENSIONS ARE INCHES
DIMENSIONS IN [] ARE MILLIMETERS

TOLERANCES:
 .X = ±.2 [5.08] FRACTIONS ± 1/32
 .XX = ±.02 [.51] ANGLES ± 1°
 .XXX = ±.005 [.13]

CABLE LENGTH (L) TOLERANCES:
 L ≤ 12 [305] = +1 [25] / -0
 12 [305] < L ≤ 60 [1524] = +2 [51] / -0
 60 [1524] < L ≤ 120 [3048] = +4 [102] / -0
 120 [3048] < L ≤ 300 [7620] = +6 [152] / -0
 300 [7620] < L = +5%L / -0

ALL DIMENSIONS SHOWN
ARE FOR REFERENCE ONLY.

PE PASTERNAK
an INFINITE brand

Pasternack Enterprises, Inc.
P.O. Box 16759, Irvine, CA 92623.
Phone: 1.949.261.1920 | 1.866.727.8376
Fax: 1.949.261.7451
Website: www.pasternack.com
E-mail: sales@pasternack.com

THIRD-ANGLE PROJECTION

THE INFORMATION AND DESIGN IN THIS DOCUMENT IS THE PROPERTY OF PASTERNAK CORPORATION. ALL RIGHTS RESERVED.

SHEET 1 OF 1
SCALE N/A

SIZE A CAGE CODE 53919 DRAWN BY HBAKKE ITEM NO. PE8276 REV A

THESE COMMODITIES, TECHNOLOGY OR SOFTWARE WERE EXPORTED FROM THE UNITED STATES IN ACCORDANCE WITH THE EXPORT ADMINISTRATION REGULATIONS. DIVERSION CONTRARY TO U.S. LAW PROHIBITED.