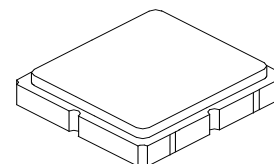


**RF3604D**

**345.0 MHz  
SAW Filter**



**SM3838-8**

- **342.0 to 348.0 MHz Filter**
- **Optimized for use with the TRC105 Transceiver**
- **Balanced 150 ohm IC Interface**
- **Complies with Directive 2002/95/EC (RoHS)**
- **Moisture Sensitivity Level: 1**

**Absolute Maximum Ratings**

Rating	Value	Units
Input Power Level	+15	dBm
DC Voltage	±5	V
Operating Temperature Range	-40 to +85	°C
Storage Temperature Range in Tape and Reel	-40 to +85	°C

**Electrical Characteristics**

Characteristic	Sym	Notes	Min	Typ	Max	Units	
Center Frequency	$f_c$			345.0		MHz	
1 dB Bandwidth	$BW_1$			14		MHz	
Maximum Insertion Loss, 342.0 to 348.0 MHz	$IL_{MAX}$			1.5	1.8	dB	
Amplitude Ripple, p-p, 342.0 to 348.0 MHz				1.0			
Rejection Referenced to Insertion Loss at 345.0 MHz:							
DC to 285 MHz			39	42			
400 to 500 MHz			43	46			
500 to 900 MHz			45	50			
900 to 1300 MHz			46	53			
1300 to 2000 MHz			27	30			
Source Impedance	$Z_S$			50		$\Omega$	
Balanced Load Impedance	$Z_L$			150		$\Omega$	

Case Style	SM3838-8 3.8 x 3.8 mm Nominal Footprint					
Lid Symbolization (Y=year, WW=week, S=shift) dot=pin 1 indicator	887, <u>YWWS</u>					
Standard Reel Quantity	Reel Size 7 Inch					500 Pieces/Reel
	Reel Size 13 Inch					3000 Pieces/Reel

**Electrical Connections**

Connection	Terminals
Single-ended Port	6
Balanced Port	1, 3
Case Ground	4, 5, 7, 8
No Connection	2

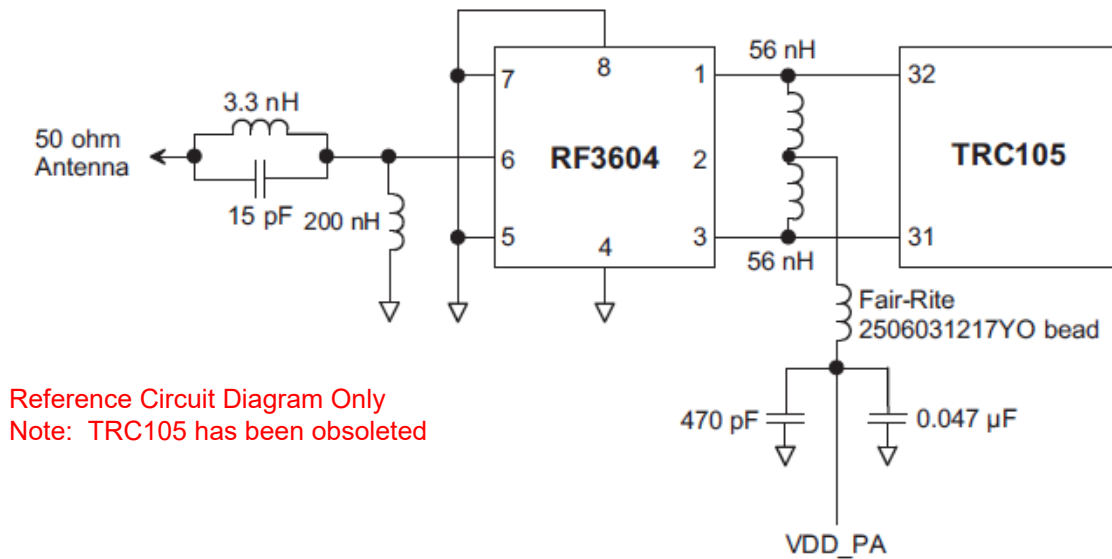


**CAUTION: Electrostatic Sensitive Device. Observe precautions for handling.**

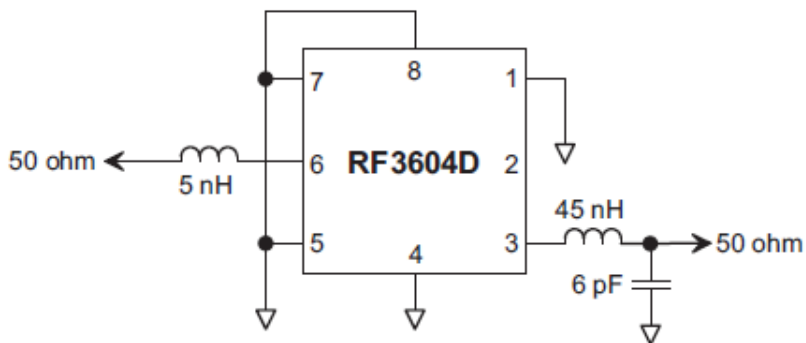
**NOTES:**

1. The design, manufacturing process, and specifications of this device are subject to change.
2. US or International patents may apply.
3. RoHS compliant from the first date of manufacture.

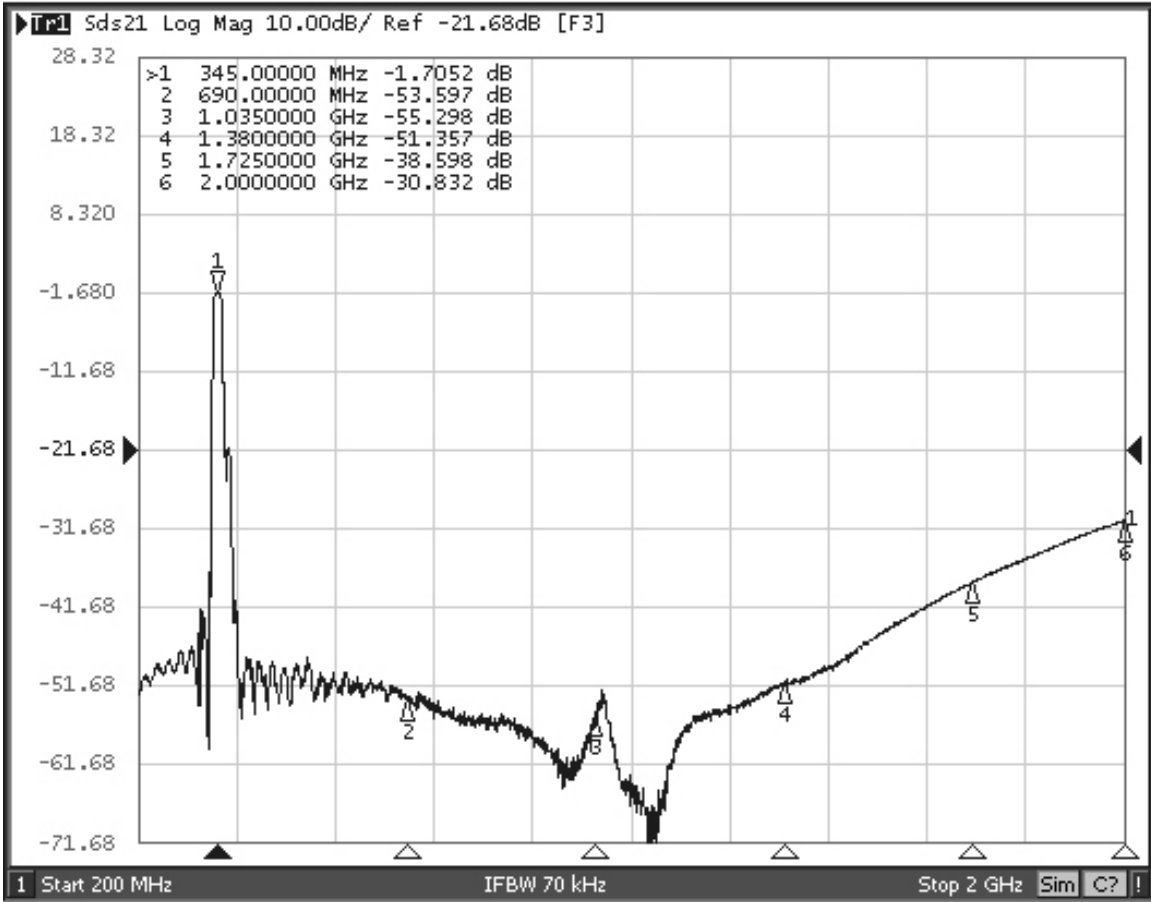
## RF3604D - TRC105 Application Circuit



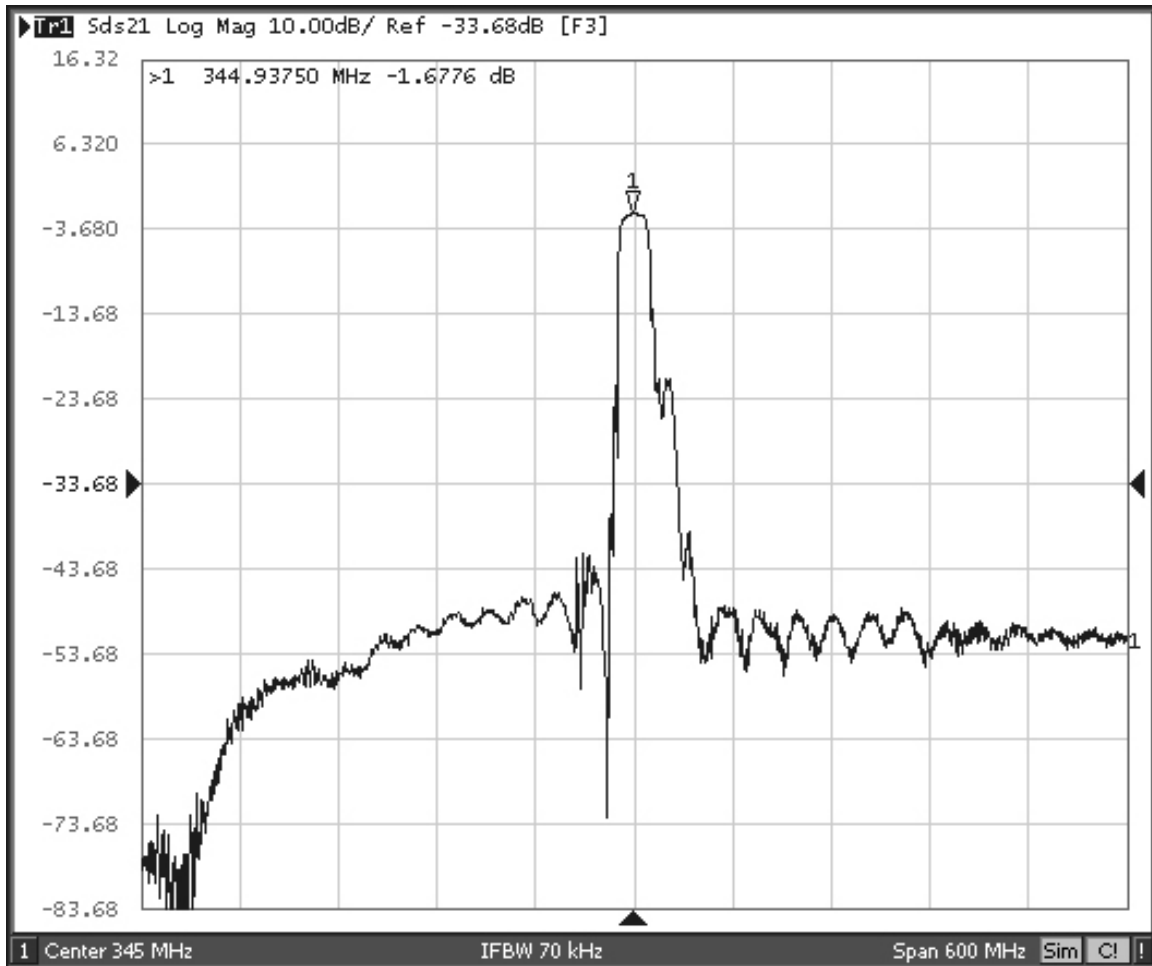
## RF3604D 50 Ohm Tuning Network



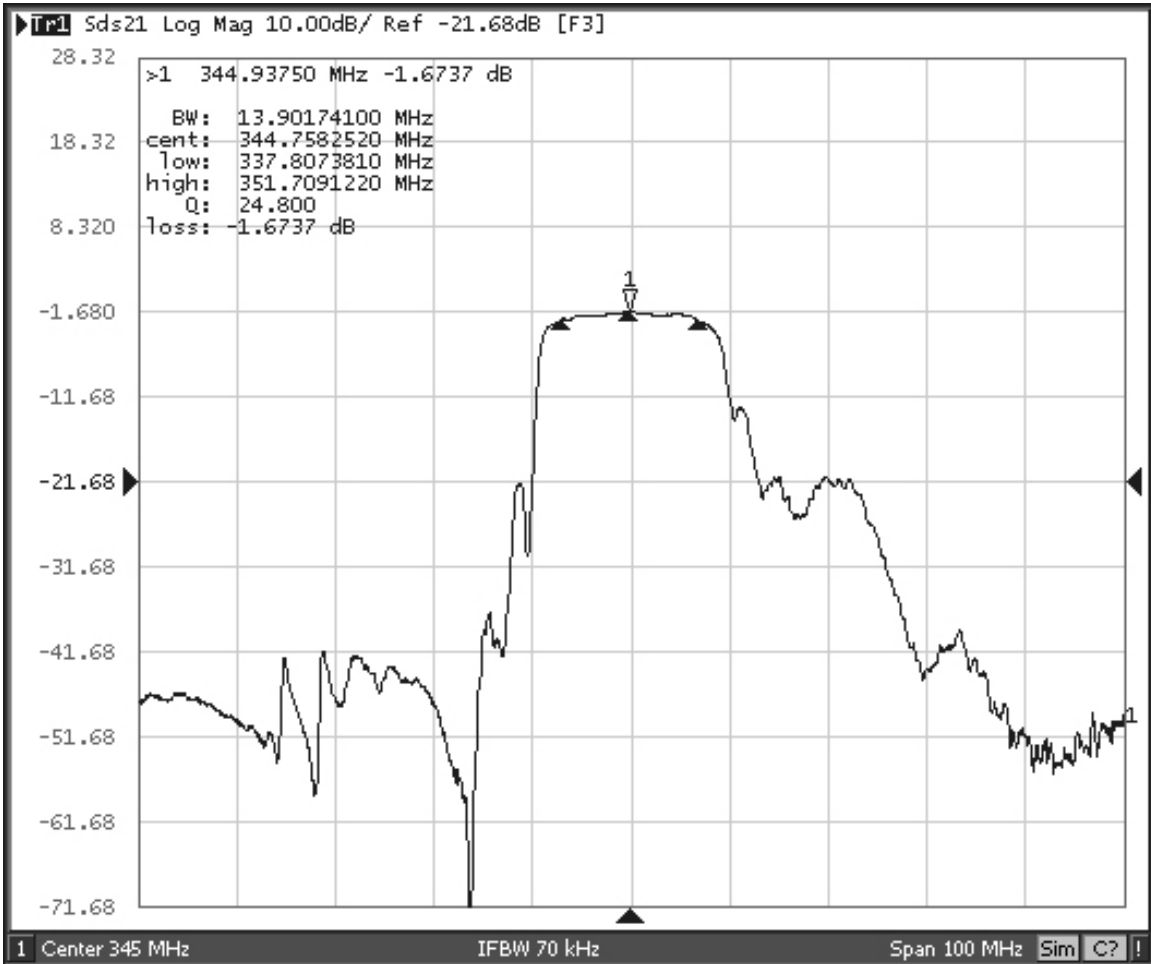
# RF3604D Broadband Response, 200 to 2000 MHz



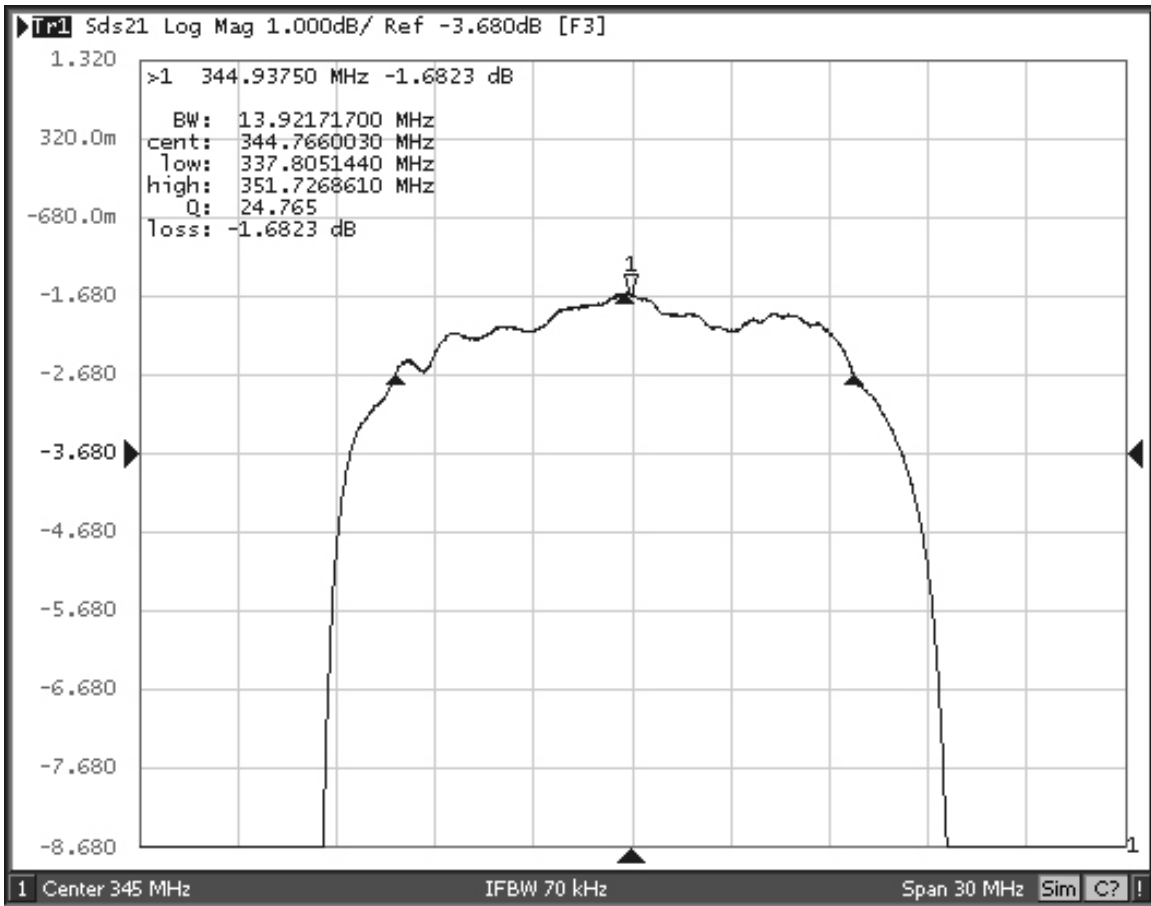
## RF3604D Response, 45 to 645 MHz



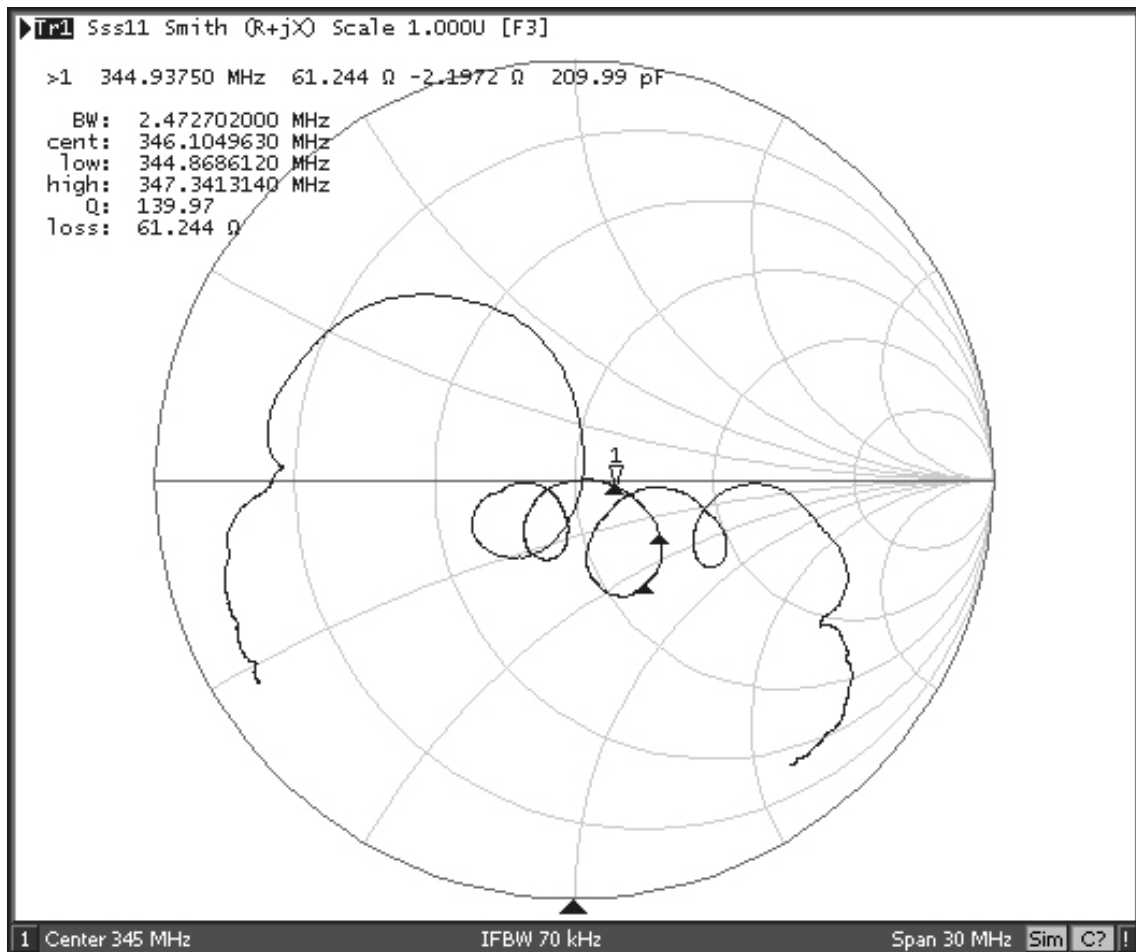
# RF3604D Response, 295 to 395 MHz



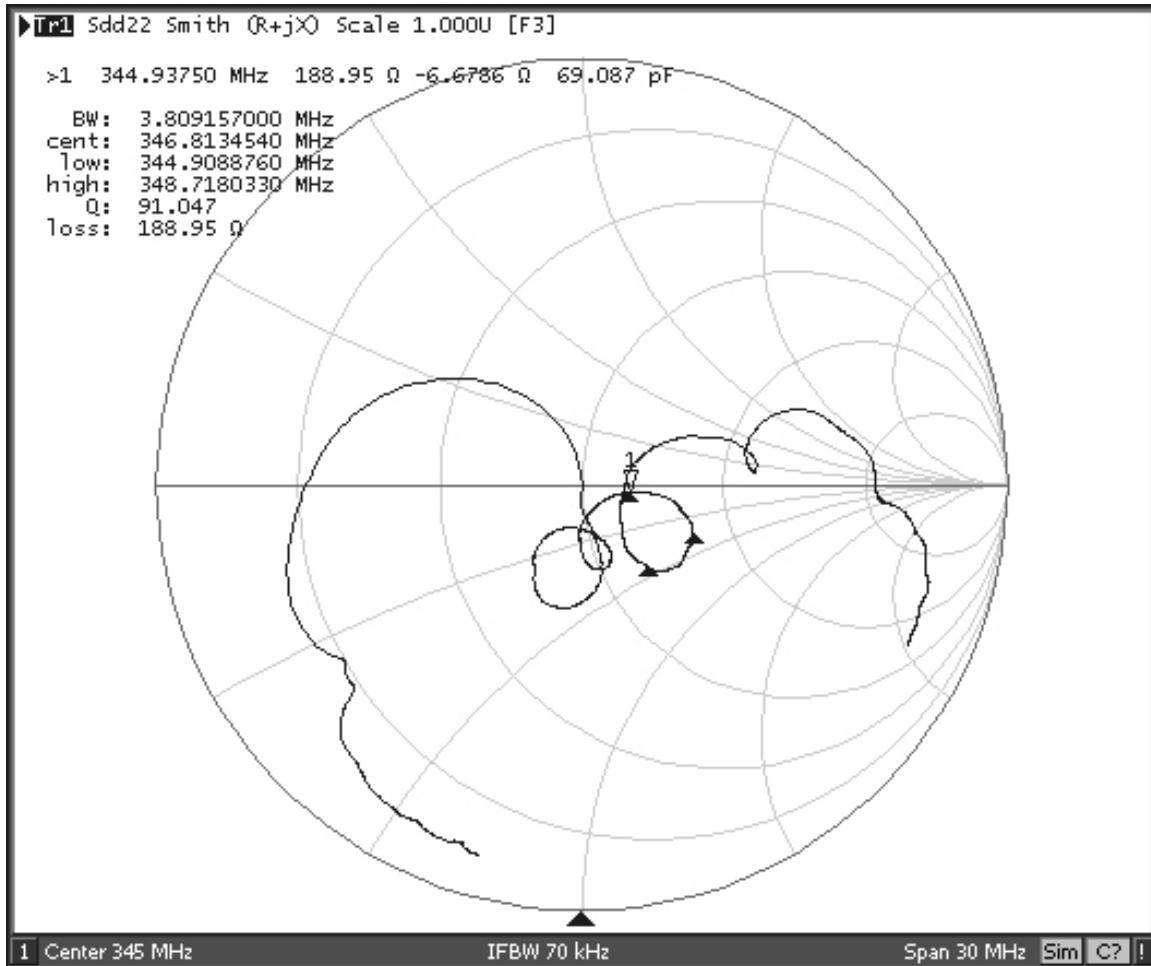
# RF3604D Passband Response



## RF3604D Input Impedance Plot

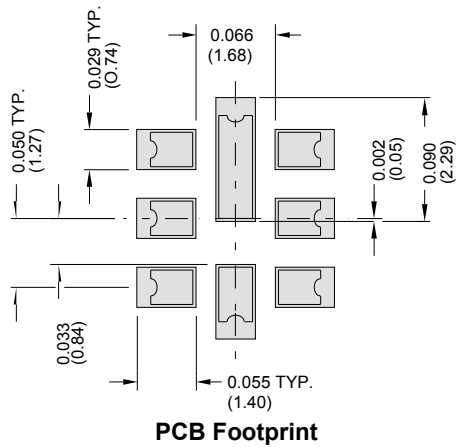


## RF3604D Balanced Output Impedance Plot



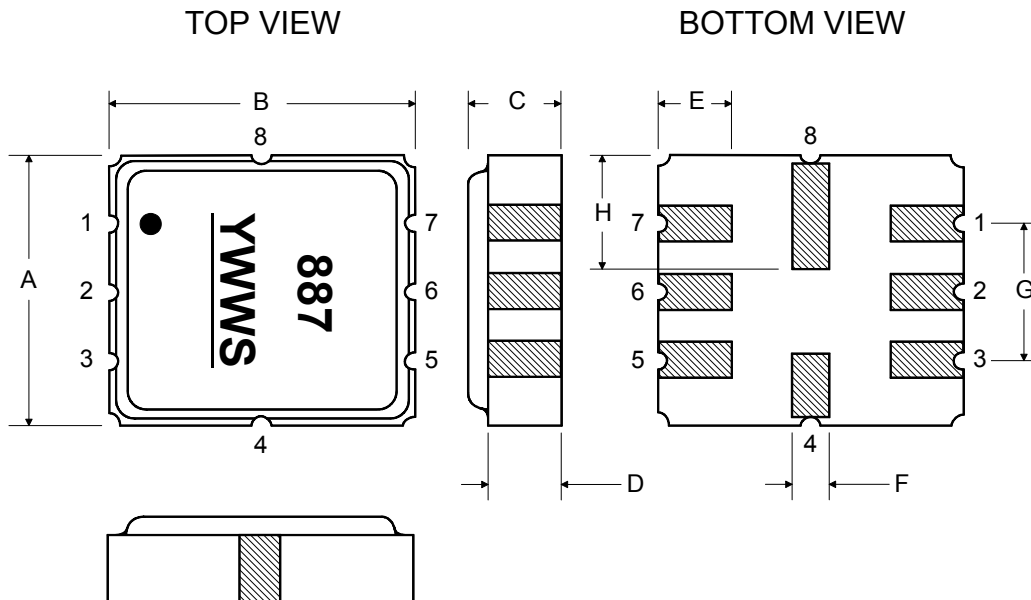


## 8-Terminal Ceramic Surface-Mount Case 3.8 X 3.8 mm Nominal Footprint



Case Dimensions						
Dimension	mm			Inches		
	Min	Nom	Max	Min	Nom	Max
A	3.6	3.8	4.0	0.142	0.150	0.157
B	3.6	3.8	4.0	0.142	0.150	0.157
C	0.90	1.00	1.1	0.035	0.040	0.043
D	0.80	0.90	1.0	0.031	0.035	0.040
E	0.90	1.00	1.10	0.035	0.040	0.043
F	0.50	0.60	0.70	0.020	0.024	0.028
G	2.39	2.54	2.69	0.090	0.100	0.110
H	1.40	1.75	2.05	0.055	0.069	0.080

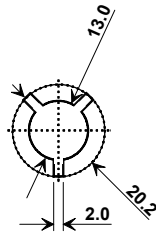
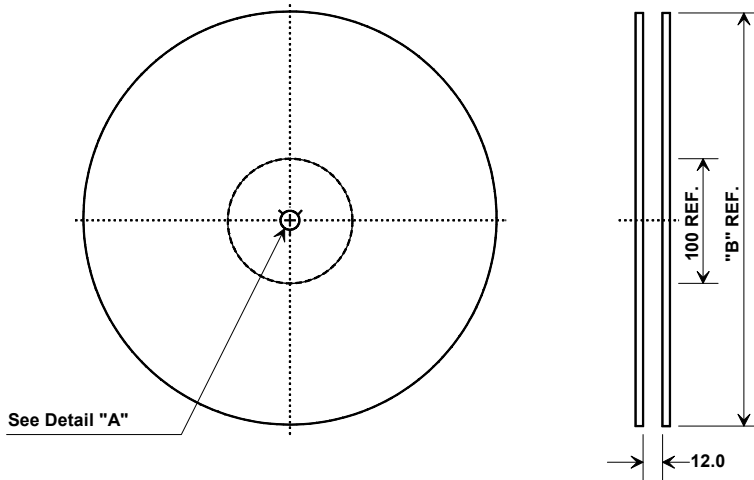
Materials	
Solder Pad Plating	0.3 to 1.0 $\mu\text{m}$ Gold over 1.27 to 8.89 $\mu\text{m}$ Nickel
Lid Plating	2.0 to 3.0 $\mu\text{m}$ Nickel
Body	$\text{Al}_2\text{O}_3$ Ceramic



## Tape and Reel Specifications

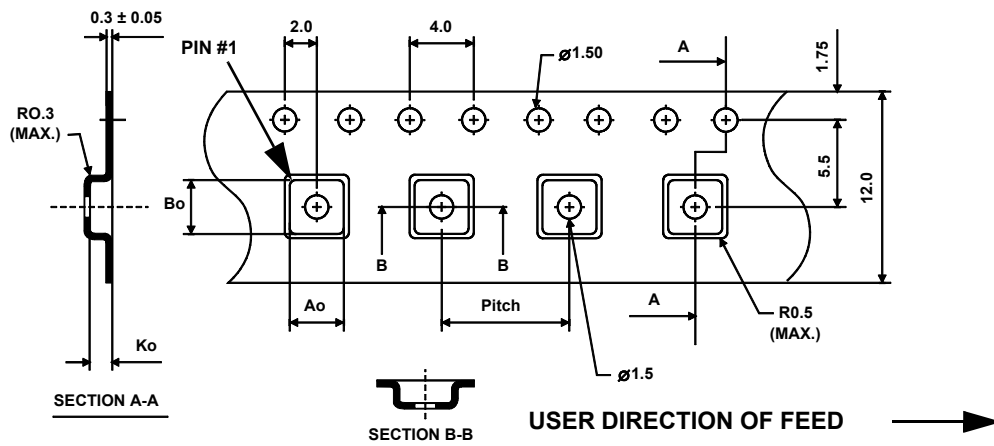
Tape and Reel Standard per ANSI/EIA-481

"B" Nominal Size		Quantity Per Reel
Inches	millimeters	
7	178	500
13	330	3000



### COMPONENT ORIENTATION and DIMENSIONS

Carrier Tape Dimensions	
Ao	4.25 mm
Bo	4.25 mm
Ko	1.30 mm
Pitch	8.0 mm
W	12.0 mm



## Recommended Reflow Profile

1. Preheating shall be fixed at 150~180°C for 60~90 seconds.
2. Ascending time to preheating temperature 150°C shall be 30 seconds min.
3. Heating shall be fixed at 220°C for 50~80 seconds and at 260°C +0/-5°C peak (10 seconds).
4. Time: 5 times maximum.

