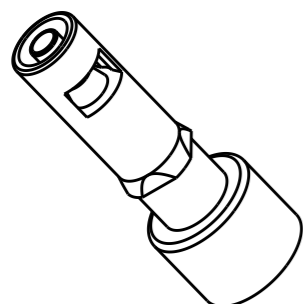


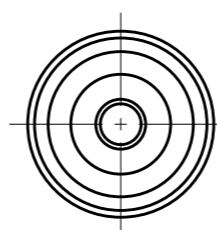
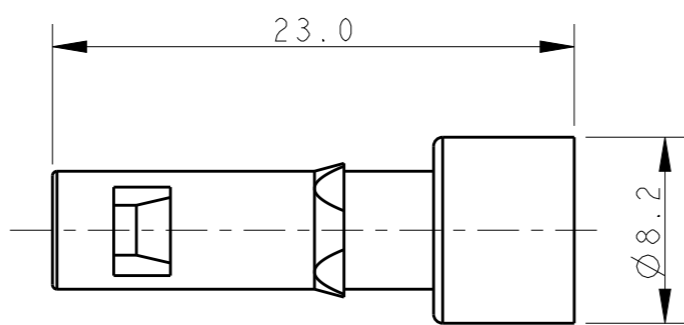
REVISIONS

P	LTR	DESCRIPTION	DATE	DWN	APVD
	A	INITIAL	10MAR2017	RL	CW

T2090002201-001 Pneu-c-F1.6



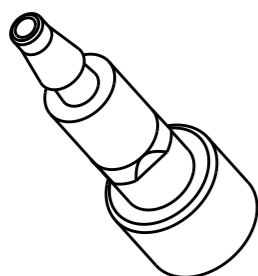
SCALE 2:1



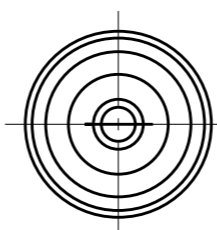
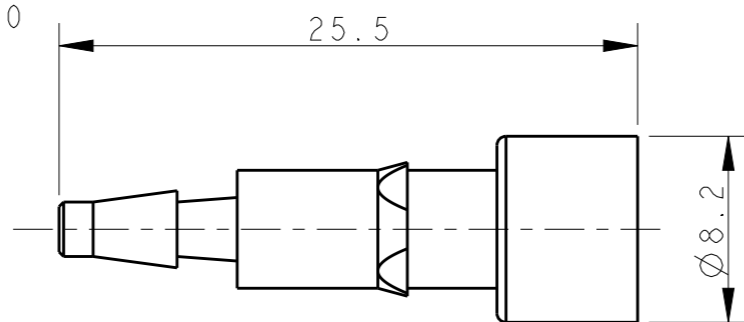
NOTES:

- 1. MATERIAL: PC;
- 2. TUBE ID:
 - 1.6 / 3.0 / 4.0mm (MATED WITH T2111032301-000 HMN-PA3)
 - 6.0mm (MATED WITH T2111022301-000 HMN-PA2)

T2090002201-002 Pneu-c-F3.0



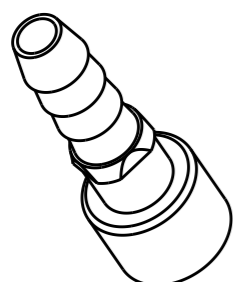
SCALE 2:1



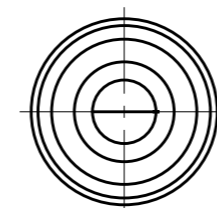
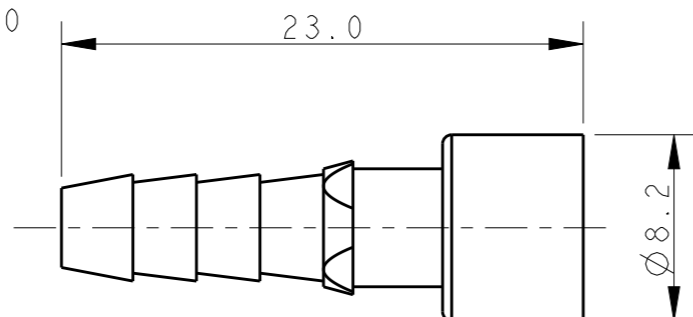
注释:

- 1. 材料: PC;
- 2. 导管内径:
 - 1.6 / 3.0 / 4.0mm (与T2111032301-000 HMN-PA3配合)
 - 6.0mm (与T2111022301-000 HMN-PA2配合)

T2090002201-003 Pneu-c-F4.0



SCALE 2:1



T2090002201-001	Pneu-c-F1.6	Pneu-c Ø1.6 SOCKET CONTACT Pneu-c Ø1.6母针	1.6
T2090002201-002	Pneu-c-F3.0	Pneu-c Ø3.0 SOCKET CONTACT Pneu-c Ø3.0母针	3.0
T2090002201-003	Pneu-c-F4.0	Pneu-c Ø4.0 SOCKET CONTACT Pneu-c Ø4.0母针	4.0
PART NUMBER 料号		PART DESCRIPTION 描述	TUBE ID 导管内径(Ø/mm)

THIS DRAWING IS A CONTROLLED DOCUMENT.

DIMENSIONS:		TOLERANCES UNLESS OTHERWISE SPECIFIED:	
mm			
	0 PLC	±-	
	1 PLC	±-	
	2 PLC	±-	
	3 PLC	±-	
	4 PLC	±-	
	ANGLES	±-	
MATERIAL	FINISH	-	-
-	-	-	-

DWN	ROY LIU	10MAR2017
CHK	KYLE ZENG	10MAR2017
APVD	CHRIS WANG	10MAR2017

TE Connectivity			
NAME Pneu-c-FXX			
PRODUCT SPEC	-	SIZE	A3
APPLICATION SPEC	-	CAGE CODE	-
WEIGHT	-	DRAWING NO	©-T209000220100X
CUSTOMER DRAWING		RESTRICTED TO	-
SCALE	3:1	SHEET	1 OF 2
REV	A		

THIS DRAWING IS UNPUBLISHED.

RELEASED FOR PUBLICATION

20

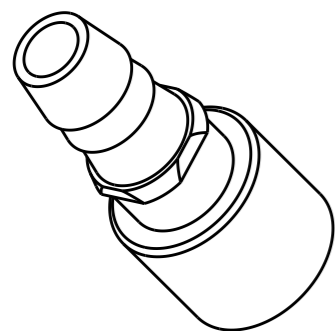
© COPYRIGHT 20 BY -

ALL RIGHTS RESERVED.

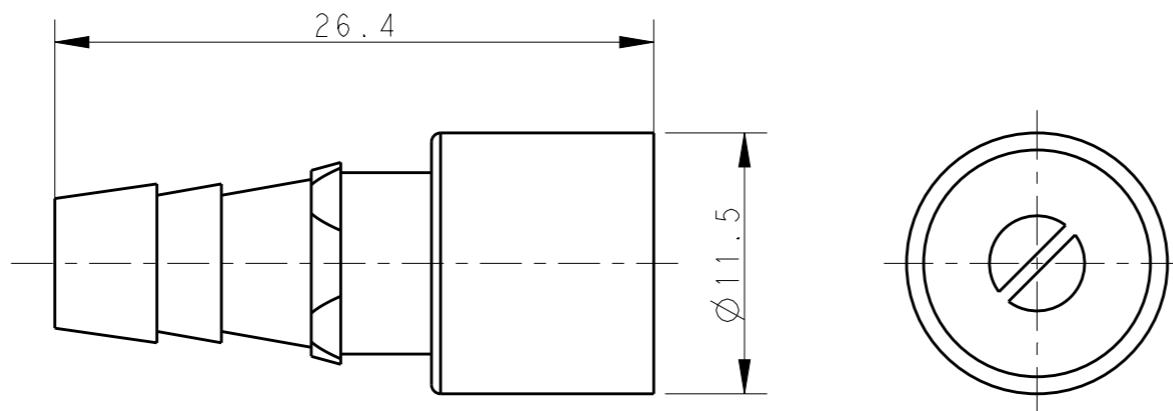
REVISIONS

P	LTR	DESCRIPTION	DATE	DWN	APVD
-		SEE SHEET 1	-	-	-

T2090002201-004 Pneu-c-F6.0



SCALE 2:1



NOTES:
SEE SHEET 1

T2090002201-004	Pneu-c-F6.0	Pneu-c ϕ 6.0 SOCKET CONTACT Pneu-c ϕ 6.0母针	6.0
PART NUMBER 料号	PART DESCRIPTION 描述		TUBE ID 导管内径(ϕ /mm)

THIS DRAWING IS A CONTROLLED DOCUMENT.		DWN ROY LIU 10MAR2017		
DIMENSIONS: mm		CHK KYLE ZENG 10MAR2017		
TOLERANCES UNLESS OTHERWISE SPECIFIED:		APVD CHRIS WANG 10MAR2017	NAME Pneu-c-FXX	
0 PLC \pm -		PRODUCT SPEC	SIZE	
1 PLC \pm -		-	CAGE CODE	
2 PLC \pm -		APPLICATION SPEC	DRAWING NO	
3 PLC \pm -		-	RESTRICTED TO	
4 PLC \pm -		WEIGHT	A3 - ϕ T209000220100X	
ANGLES \pm -		-	SCALE 3:1 SHEET 2 OF 2 REV A	
MATERIAL		FINISH	CUSTOMER DRAWING	
-		-		