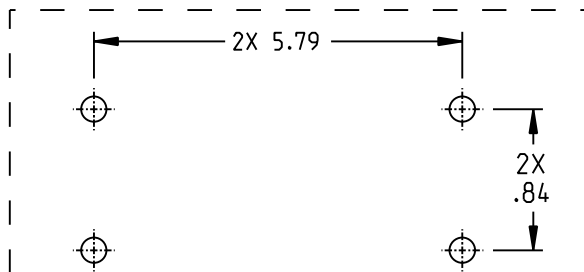
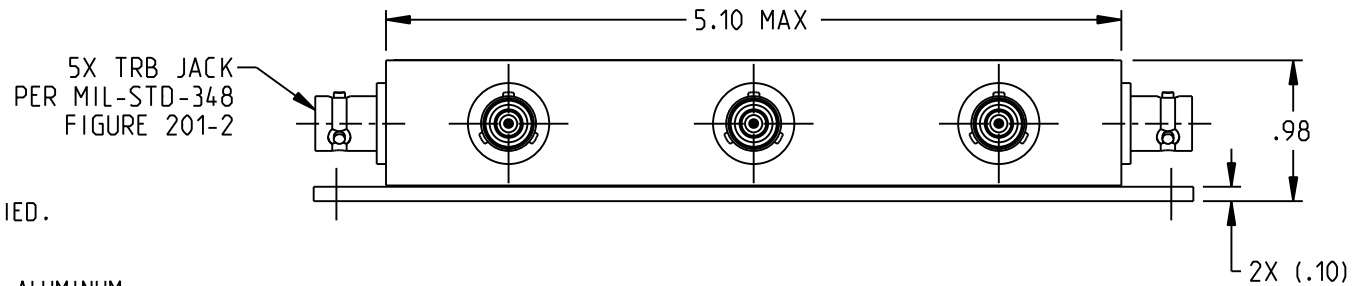
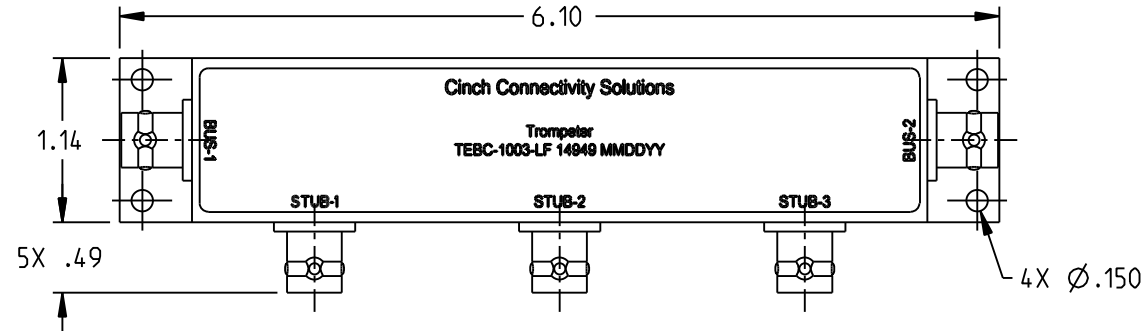
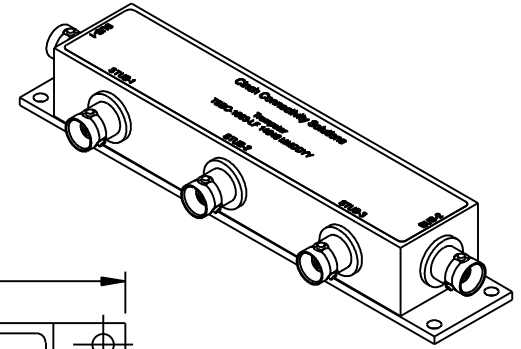
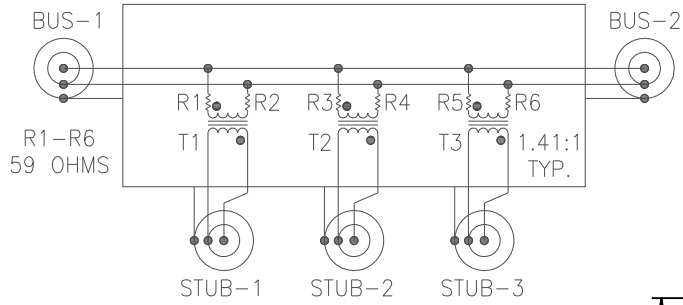


SCHEMATIC



RECOMMENDED MOUNTING HOLE PATTERN

NOTES: UNLESS OTHERWISE SPECIFIED.

1. MATERIAL & FINISH:

1.1 COUPLER HOUSING: ANODIZED ALUMINUM, PAINTED BLUE

1.2 TRB JACK:

1.2.1 BODY: NICKEL PLATED BRASS

1.2.2 INSULATOR & DIELECTRIC: PTFE (TEFLON)

1.2.3 CENTER CONTACT: GOLD PLATED BERYLLIUM COPPER

2. ELECTRICAL:

2.1 DROOP: 20% MAXIMUM

2.2 OVERSHOOT AND RINGING: $\pm 1.0V$ PK-PK

2.3 TRANSFORMER RATIO: 1.41CT-CT

2.4 FAULT PROTECTION: 59 OHM $\pm 1\%$, 2 WATTS PER MIL-PRF-39007

2.5 COMMON MODE REJECTION: -55dB @ 1 MHz

3. ENVIRONMENTAL:

3.1 OPERATING TEMPERATURE: -55°C TO 125°C.

	3RD ANGLE PROJECTION 	TROMPETER	
	This PROPRIETARY Document is property of Cinch Connectivity Solutions. It is confidential in nature, non-transferable, and issued with the clear understanding that it is not traced or copied without permission and is returnable upon demand.	RoHS2 <input checked="" type="checkbox"/> 2015/863/EU	Title: TRB BUS COUPLER, UNTERMINATED, THREE STUBS
UNLESS OTHERWISE SPECIFIED UNITS: INCH	.XX $\pm .03$.XXX $\pm .015$ ANGLES $\pm 2^\circ$	Model No.	TEBC-1003-LF
INTERPRET DRAWING IN ACCORDANCE WITH ASME Y14.5-2009.	Size A	DO NOT SCALE DRAWING	Date: 4/8/2020 Sheet 1 OF 1