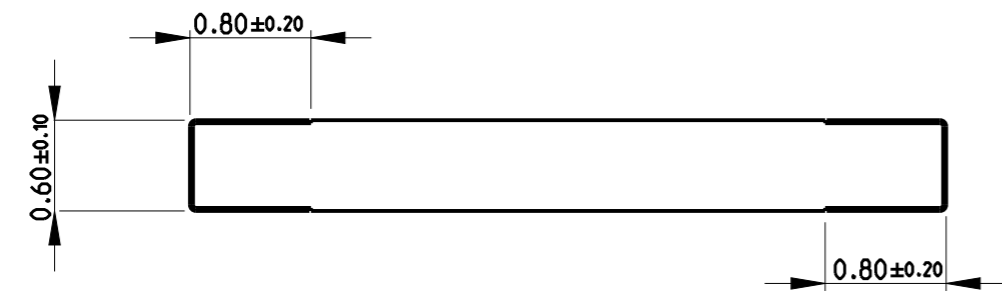
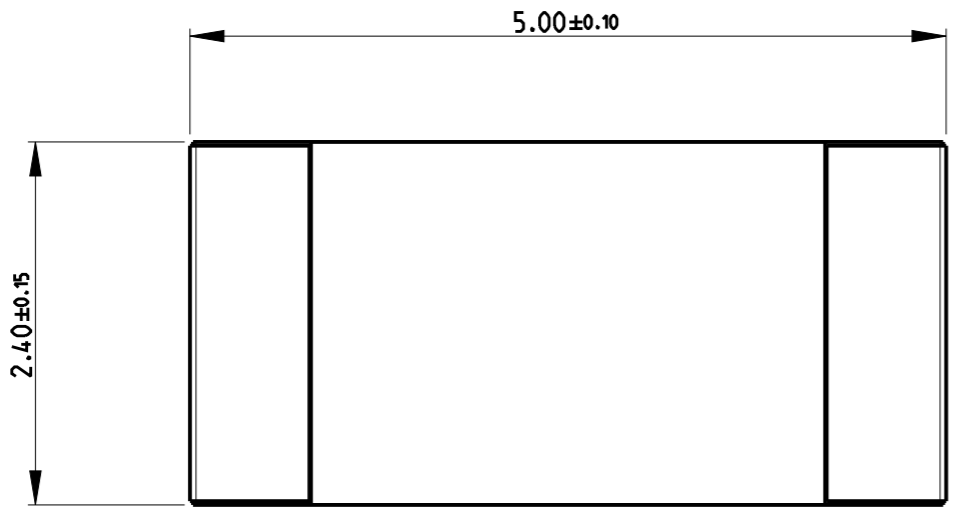
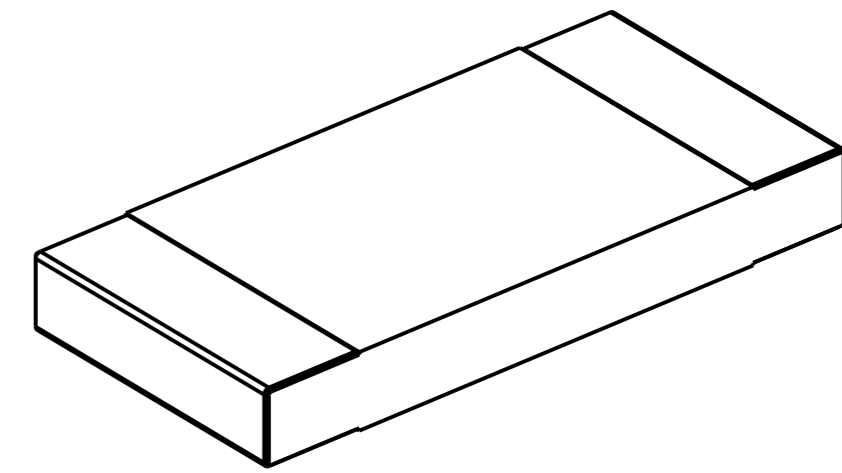


P	LTR	DESCRIPTION	DATE	DWN	APVD
	A	INITIAL RELEASE	26MAY2021	MHS	AP

Complete TIN	Product Number	Material Description	Resistance (mΩ)	Weight (g) (1000 pcs)
2176468-1	TLRP2H10WR010FTE	TLRP 2010 1.0W R010 1% 75PPM 4K RL	10	40
2176468-2	TLRP2H10WR020FTE	TLRP 2010 1.0W R020 1% 75PPM 4K RL	20	40
2176468-3	TLRP2H10WR030FTE	TLRP 2010 1.0W R030 1% 75PPM 4K RL	30	40
2176468-4	TLRP2H10WR050FTE	TLRP 2010 1.0W R050 1% 75PPM 4K RL	50	40
2176468-5	TLRP2H10WR068FTE	TLRP 2010 1.0W R068 1% 75PPM 4K RL	68	40
2176468-6	TLRP2H10WR075FTE	TLRP 2010 1.0W R075 1% 75PPM 4K RL	75	40
2176468-7	TLRP2H10WR100FTE	TLRP 2010 1.0W R100 1% 75PPM 4K RL	100	40



FOR FURTHER INFORMATION SEE DATA SHEET FOR TLRP SERIES-SMD HIGH POWER CURRENT SENSE RESISTORS



RoHS Compliant

THIS DRAWING IS A CONTROLLED DOCUMENT.		DWN MANOHAR H S 26MAY2021		
DIMENSIONS: mm		CHK A. PILE 26MAY2021		
TOLERANCES UNLESS OTHERWISE SPECIFIED:		APVD A. PILE 26MAY2021	NAME SMD HIGH POWER - CURRENT SENSE RESISTORS, SERIES TLRP - 2H	
0 PLC ±0.2	1 PLC ±0.1	PRODUCT SPEC	-	
2 PLC ±	3 PLC ±	APPLICATION SPEC	-	
4 PLC ±	ANGLES ±5°	WEIGHT	-	
MATERIAL	FINISH	SIZE A3		CAGE CODE 00779
-	-	DRAWING NO C-2176468		RESTRICTED TO -
CUSTOMER DRAWING		SCALE 20:1	SHEET 1 OF 1	REV A