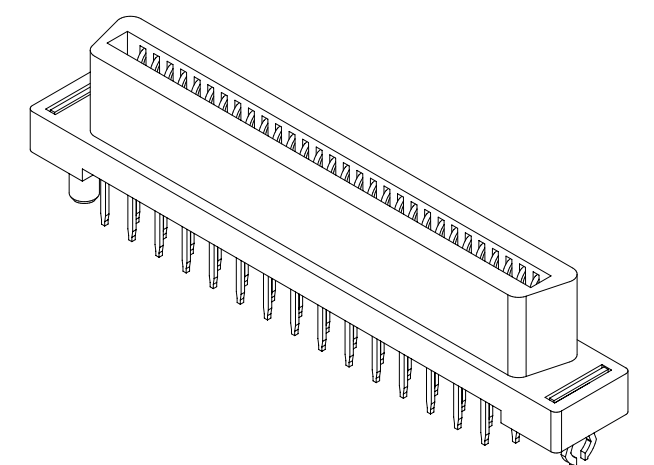
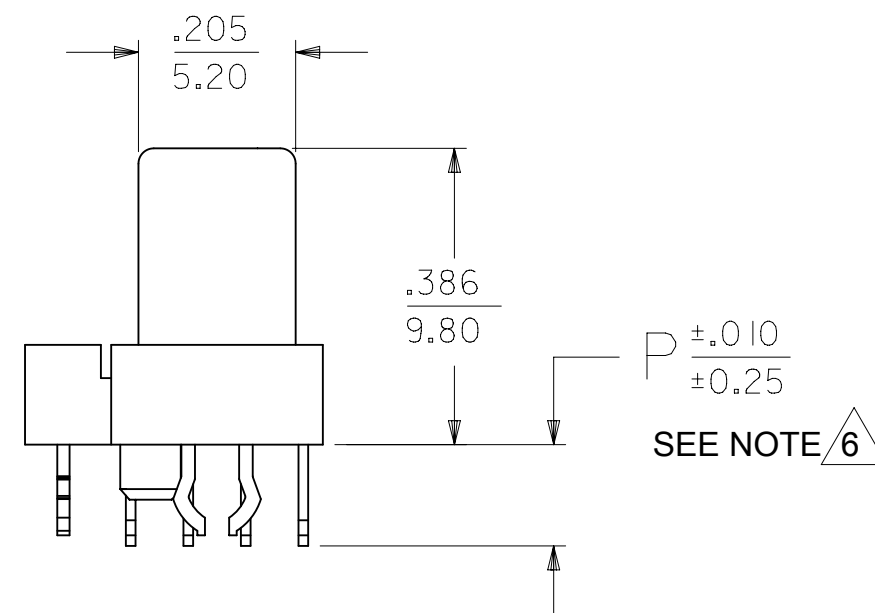
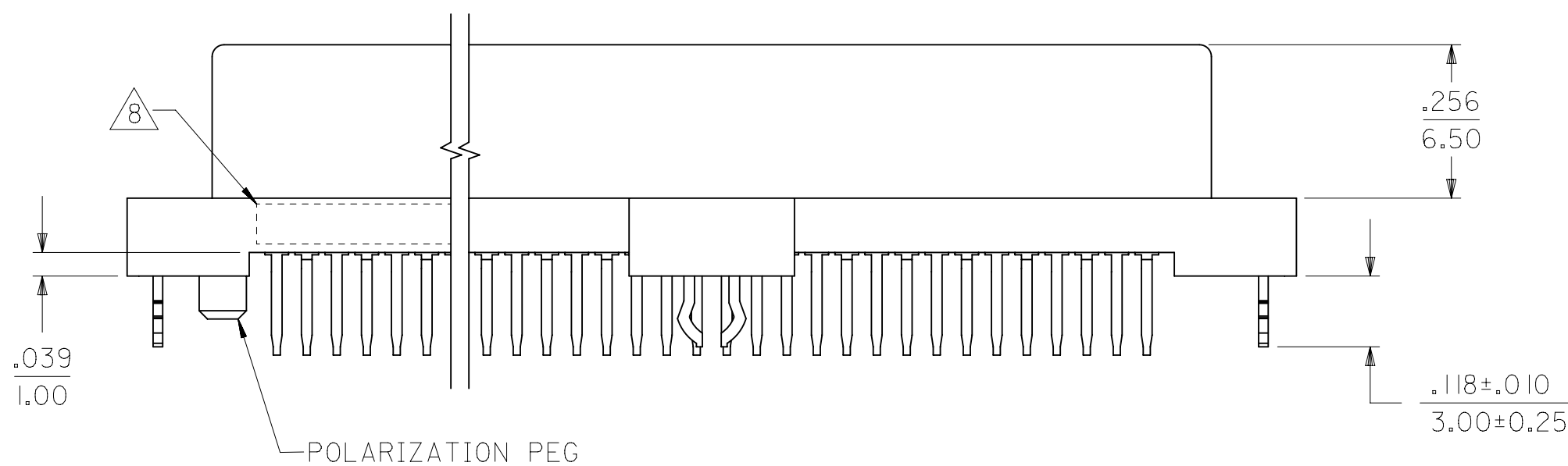
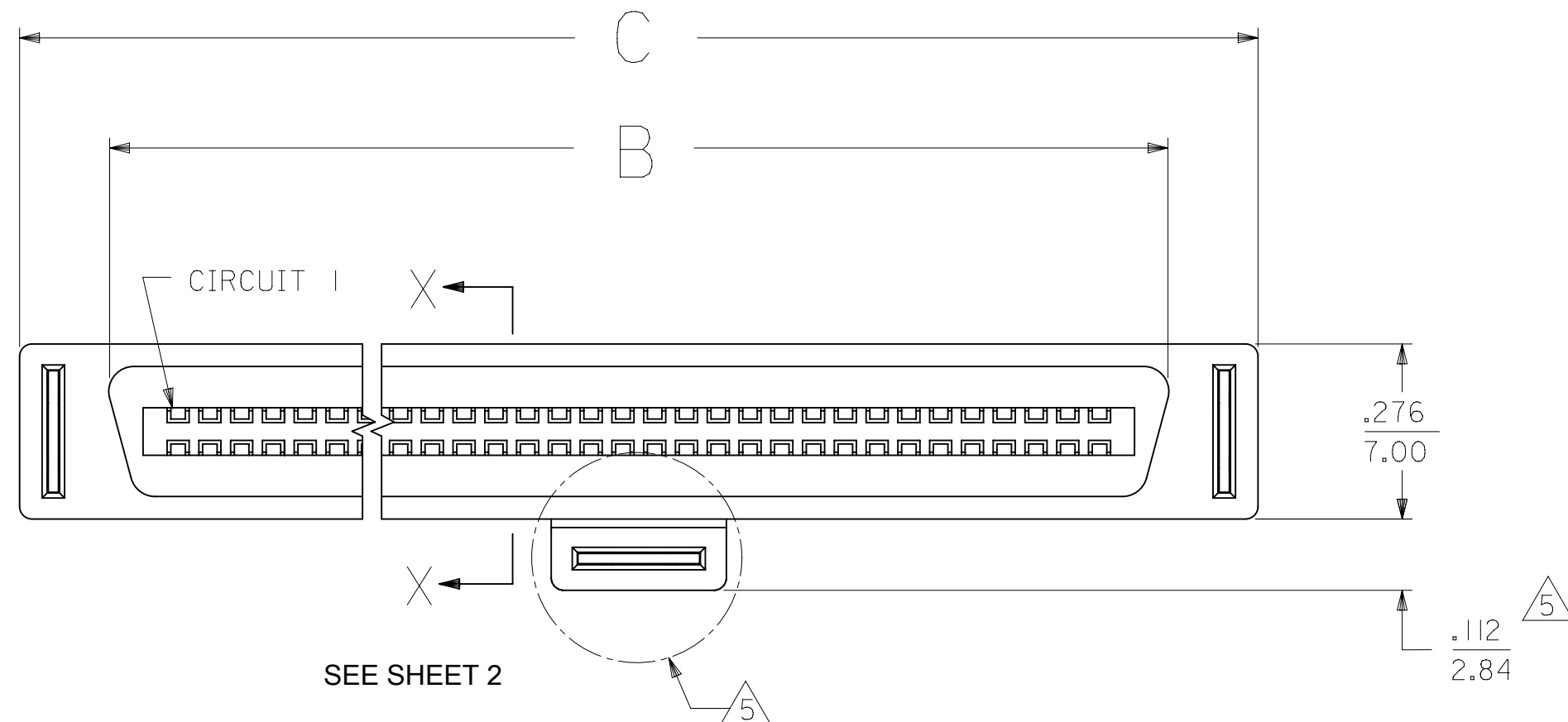


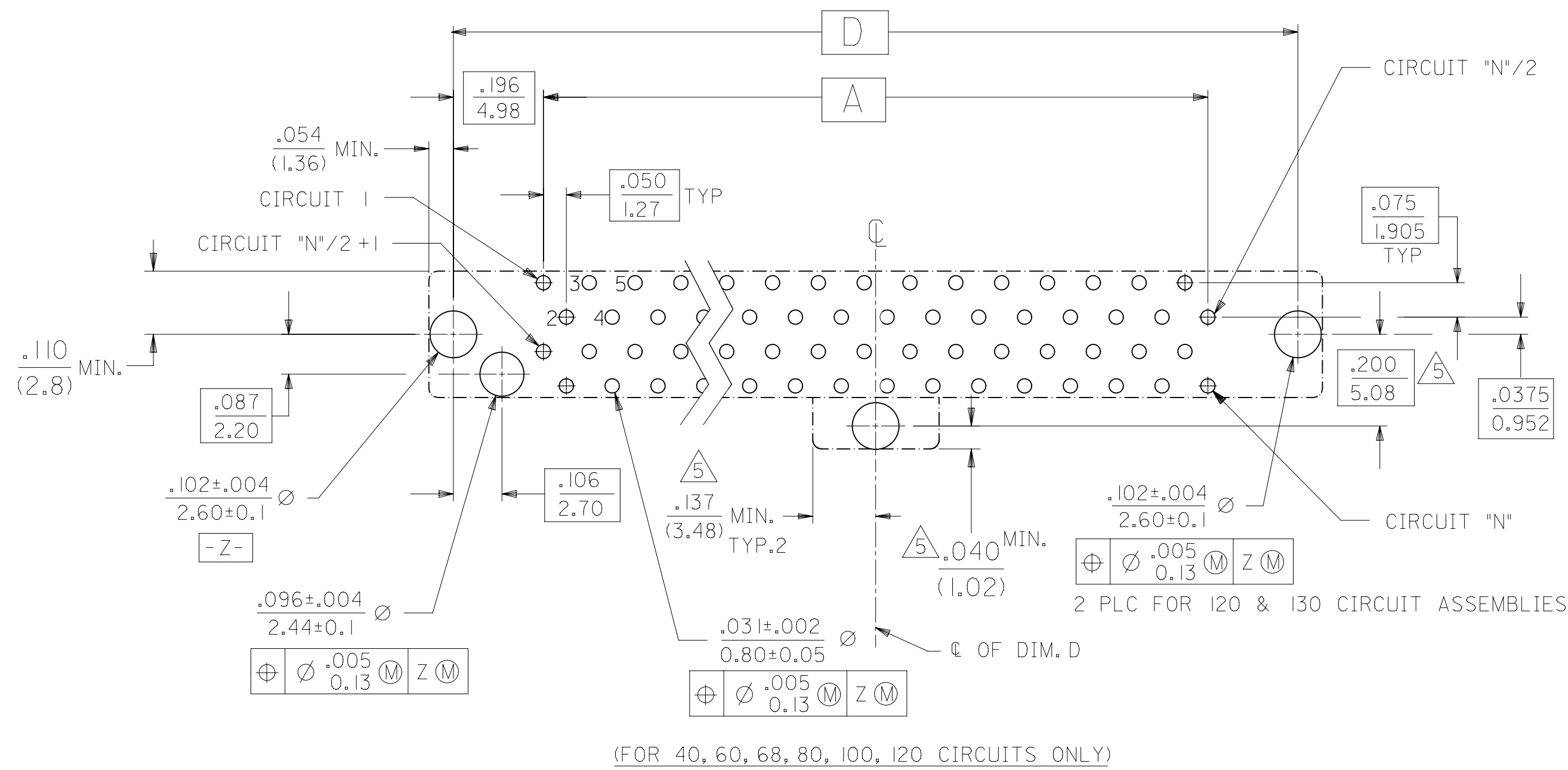
NOTES:

- 1) MATERIALS:  
HOUSING- LCP, GLASS FILLED, 94V-0, BLACK.  
TERMINALS- COPPER ALLOY  
METAL PEGS- COPPER ALLOY
- 2) FINISH:  
TERMINALS:  
.000030/(0.00076) MINIMUM GOLD IN CONTACT AREA OVER  
.000050/(0.00127) MINIMUM TIN IN TAIL AREA OVER  
.000075/(0.00191) MINIMUM NICKEL UNDERPLATE OVERALL.
- 3) ASSEMBLY MATES WITH MOLEX P/N SDA-71661-\*\*\*\*.
- 4) CONFORMS TO PRODUCT SPECIFICATION PS-71660.
- 5 CENTER PEG IS ONLY ON 120 AND 130 CIRCUIT ASSEMBLIES.
- 6 TAIL LENGTH ON FIRST MATE CONTACTS IS APPROXIMATELY .010 INCH/0.25 mm SHORTER THAN THE TAIL LENGTH SPECIFIED.
- 7 CONNECTOR WILL ACCEPT MATING TO A P.C. BOARD WITH A THICKNESS OF .062±.003.
- 8 FOUR DIGIT DATE CODE (WK YR), EXAMPLE => 26 96 LOCATED IN AREA INDICATED.
- 9 SEE CHART FOR PACKAGING INFORMATION.

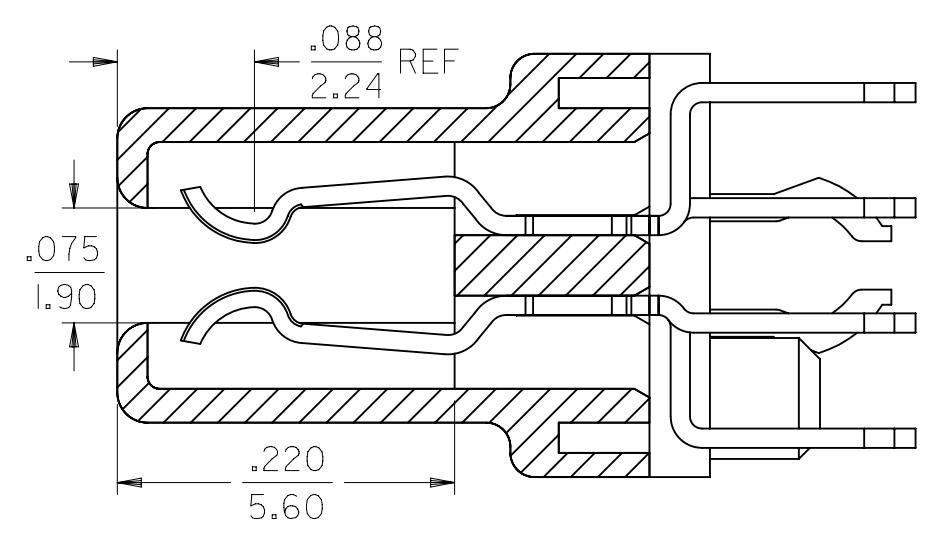


60 CIRCUIT ASSEMBLY SHOWN  
SCALE 2:1

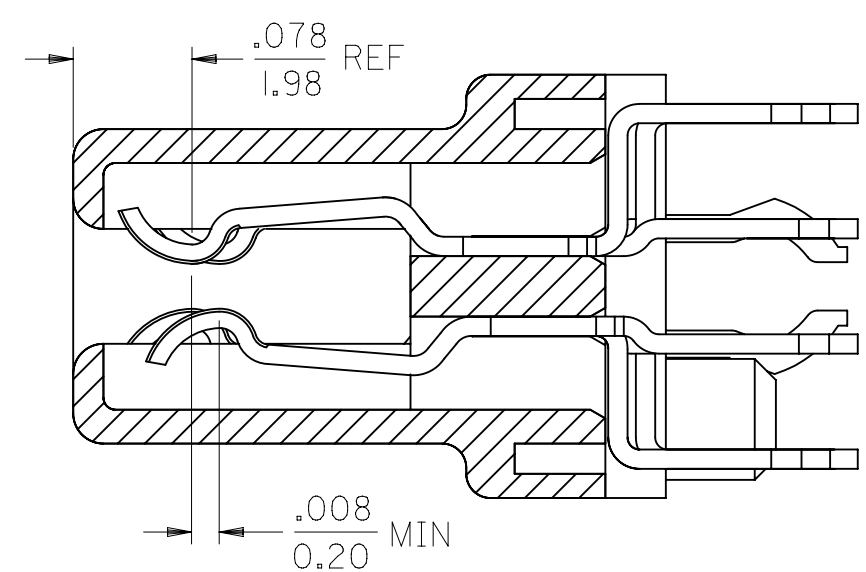
THIS DRAWING CONTAINS INFORMATION THAT IS PROPRIETARY TO MOLEX ELECTRONIC TECHNOLOGIES, LLC AND SHOULD NOT BE USED WITHOUT WRITTEN PERMISSION									
DIMENSION UNITS <b>IN/mm</b>		SCALE <b>4:1</b>		CURRENT REV DESC: OBSOLETE PART NUMBERS					
GENERAL TOLERANCES (UNLESS SPECIFIED)				EC NO: 644856					
		MM	INCH	DRWN: RPRABHUM		2020/06/19		SALES ASSEMBLY MOLEX EBBI 50D VERTICAL RECEPTACLE CONNECTOR	
4 PLACES ±				CHK'D: GGA		2020/10/07		PRODUCT CUSTOMER DRAWING	
3 PLACES ±			± 0.005	APPR: GGA		2020/10/07		DOCUMENT NUMBER	
2 PLACES ±		0.13	± 0.01	INITIAL REVISION:		1992/06/15		SDA-71660-1XXX	
1 PLACE ±		0.25	±	DRWN: RAN		1992/06/15		DOC TYPE DOC PART REVISION	
0 PLACES ±			±	APPR: CAB		1992/06/15		PSD 001 R	
ANGULAR TOL ± 0.5°				THIRD ANGLE PROJECTION		DRAWING SERIES		MATERIAL NUMBER CUSTOMER SHEET NUMBER	
DRAFT WHERE APPLICABLE MUST REMAIN WITHIN DIMENSIONS				C-SIZE		71660		SEE TABLE GENERAL MARKET 1 OF 3	



(FOR 40, 60, 68, 80, 100, 120 CIRCUITS ONLY)



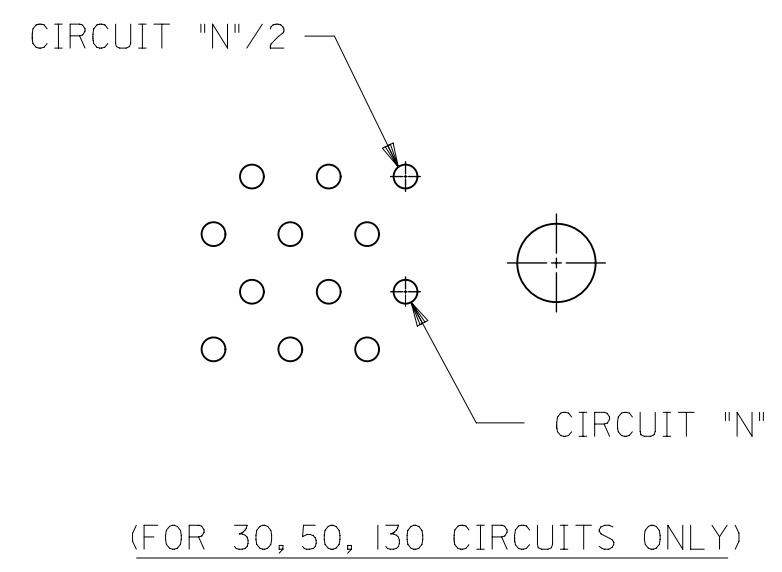
STANDARD PRODUCT



FMLB OPTION


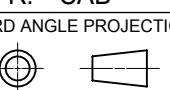
SECTION X-X  
SCALE - 8:1

RECOMMENDED PC BOARD LAYOUT  
COMPONENT SIDE



THIS DRAWING CONTAINS INFORMATION THAT IS PROPRIETARY TO MOLEX ELECTRONIC TECHNOLOGIES, LLC AND SHOULD NOT BE USED WITHOUT WRITTEN PERMISSION									
DIMENSION UNITS <b>IN/mm</b>		SCALE <b>4:1</b>		CURRENT REV DESC: OBSOLETE PART NUMBERS					
GENERAL TOLERANCES (UNLESS SPECIFIED)				EC NO: 644856					
		MM	INCH	DRWN: RPRABHUM					
4 PLACES		±	±	CHK'D: GGA		2020/10/07		SALES ASSEMBLY MOLEX EBBI 50D VERTICAL RECEPTACLE CONNECTOR	
3 PLACES		±	± 0.005	APPR: GGA		2020/10/07			
2 PLACES		± 0.13	± 0.01	INITIAL REVISION:		PRODUCT CUSTOMER DRAWING			
1 PLACE		± 0.25	±	DRWN: RAN					
0 PLACES		±	±	APPR: CAB		1992/06/15		DOCUMENT NUMBER <b>SDA-71660-1XXX</b>	
ANGULAR TOL		± 0.5°		THIRD ANGLE PROJECTION		DRAWING		DOC TYPE	
DRAFT WHERE APPLICABLE MUST REMAIN WITHIN DIMENSIONS						SERIES <b>C-SIZE 71660</b>		DOC PART	
						MATERIAL NUMBER		REVISION	
						SEE TABLE		PSD 001 R	
						CUSTOMER		SHEET NUMBER	
						GENERAL MARKET		2 OF 3	

ENGINEERING NUMBER	EDP NUMBER	PACKAGING SPEC	CKT ("N")	A	B	C	D	P	ADVANCED TERMINALS / CKTS SEE SECTION X-X "FMLB OPT"
SDA-71660-1050	015-92-1050	PK-71660	50	1.200 (30.48)	1.418 (36.02)	1.699 (43.15)	1.592 (40.45)	.134 (3.40)	↑ N/A ↓
SDA-71660-1120	015-92-1120	PK-71660	120	2.950 (74.93)	3.168 (80.47)	3.449 (87.60)	3.342 (84.90)		
SDA-71660-1130	015-92-1130	PK-71660	130	3.200 (81.28)	3.418 (86.82)	3.699 (93.95)	3.592 (91.25)		
SDA-71660-1330	015-92-1430	PK-71660	30	.700 (17.78)	.918 (23.32)	1.199 (30.45)	1.092 (27.75)	.110 (2.79)	↑ N/A ↓
SDA-71660-1340	015-92-1440	PK-71660	40	.950 (24.13)	1.168 (29.67)	1.449 (36.80)	1.342 (34.10)		
SDA-71660-1350	015-92-1450	PK-71660	50	1.200 (30.48)	1.418 (36.02)	1.699 (43.15)	1.592 (40.45)		
SDA-71660-1380	015-92-1480	PK-71660	80	1.950 (49.53)	2.168 (55.07)	2.449 (62.20)	2.342 (59.50)		
SDA-71660-1400	015-92-1500	PK-71660	100	2.450 (62.23)	2.668 (67.77)	2.949 (74.90)	2.842 (72.20)		

THIS DRAWING CONTAINS INFORMATION THAT IS PROPRIETARY TO MOLEX ELECTRONIC TECHNOLOGIES, LLC AND SHOULD NOT BE USED WITHOUT WRITTEN PERMISSION									
DIMENSION UNITS <b>IN/mm</b>		SCALE <b>4:1</b>		CURRENT REV DESC: OBSOLETE PART NUMBERS					
GENERAL TOLERANCES (UNLESS SPECIFIED)				EC NO: 644856 DRWN: RPRABHUM CHK'D: GGA APPR: GGA					
		MM	INCH	2020/06/19		2020/10/07		2020/10/07	
4 PLACES	±		±	2020/06/15		1992/06/15		1992/06/15	
3 PLACES	±		± 0.005	2020/06/15		1992/06/15		1992/06/15	
2 PLACES	±	0.13	± 0.01	2020/06/15		1992/06/15		1992/06/15	
1 PLACE	±	0.25	±	2020/06/15		1992/06/15		1992/06/15	
0 PLACES	±		±	2020/06/15		1992/06/15		1992/06/15	
ANGULAR TOL		± 0.5 °		THIRD ANGLE PROJECTION		DRAWING		SERIES	
DRAFT WHERE APPLICABLE MUST REMAIN WITHIN DIMENSIONS						C-SIZE		71660	
DOCUMENT NUMBER				CUSTOMER		SHEET NUMBER			
SDA-71660-1XXX				GENERAL MARKET		3 OF 3			