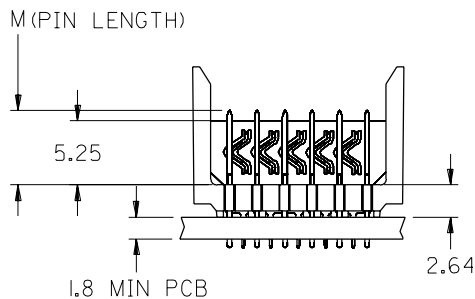
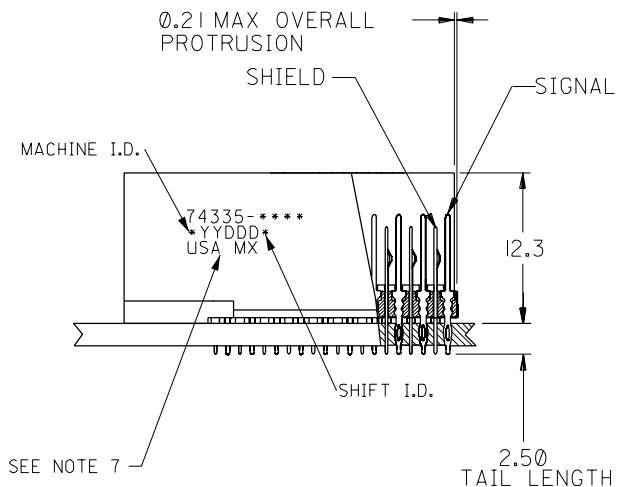
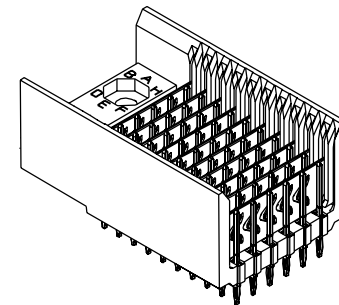


BACKPLANE HOLE PATTERN
RECOMMENDED DIMENSIONS



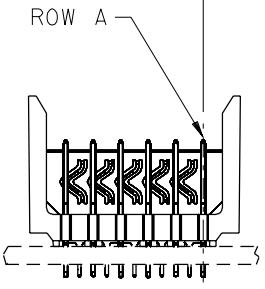
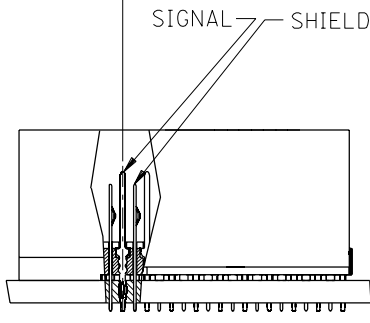
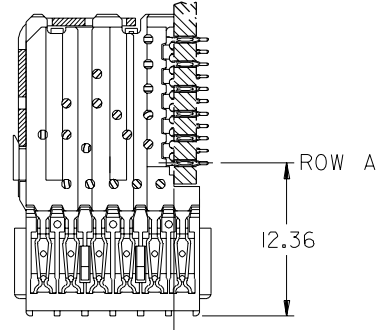
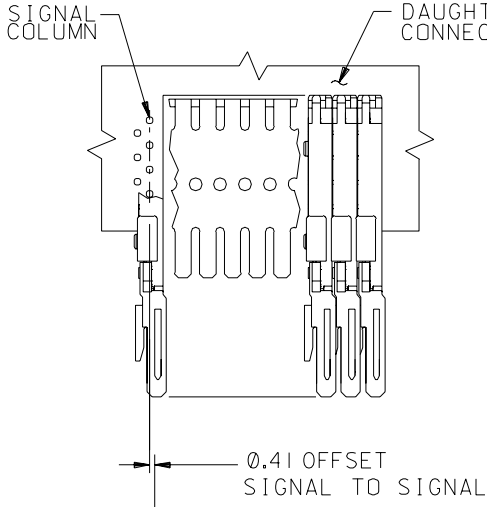
NOTES:

- MATERIALS:
HOUSING - LIQUID CRYSTAL POLYMER (LCP),
GLASS-FILLED, UL 94V-0, COLOR: BLACK.
SIGNAL PIN & SHIELD - COPPER ALLOY.
- FINISHES:
SELECTIVE GOLD (Au) IN CONTACT AREA;
SELECTIVE TIN/LEAD (Sn/Pb) ON PCB TAILS AND
NICKEL (Ni) OVERALL.
- THIS PART CONFORMS TO MOLEX
PRODUCT SPECIFICATION PS-74031-999
- FOR MIXED CONTACT MATING LENGTHS.
CONSULT MOLEX FOR AVAILABILITY.
- FOR SPECIFIC MATERIAL NUMBERS
AND MATING INFORMATION REFER TO
SHEET 2.
- PACKAGE PER PK-74057-003.
- EITHER MARK PARTS WITH PART NUMBER AND DATE CODE
APPROXIMATELY WHERE SHOWN OR PLACE LABEL ON THE TUBE.

2	E
1	E
SHT	REV
REVISE ON CAD ONLY	

DIMENSIONS:		
<input type="checkbox"/> mm	<input type="checkbox"/> INCH	<input checked="" type="checkbox"/> mm ONLY

REVISED EC NO. UDT2002-0443 DRWN: MWANG 01/09/18 CHK: JLAURX 01/09/18 APPR: CBIXLER 01/09/18	QUALITY SYMBOLS MAJOR = 0 CRITICAL = 0	GENERAL TOLERANCES: (UNLESS SPECIFIED)		SCALE 2.5:1	DESIGN UNITS <input checked="" type="checkbox"/> mm <input type="checkbox"/> INCH	THIRD ANGLE PROJECTION	DIMENSIONS:		
		mm	INCH	DRAWN BY & DATE MWANG 00/02/08	TITLE: VHDM BACKPLANE 6 ROW SIGNAL-PIN END SALES DRAWING				
REV E	DESCRIPTION	4 PLACES ±0.--- ±.	3 PLACES ±0.--- ±.	2 PLACES ±0.--- ±.	1 PLACE ±0.--- ±.	MOLEX INCORPORATED			
		ANGULAR: ± - °		CAD FILENAME SD-74335-002.DGN	MATERIAL NO. SEE SHEET 2	DRAWING NO. SD-74335-002	SHEET NO. 1 OF 2	SIZE B	
DRAFT WHERE APPLICABLE MUST REMAIN WITHIN DIMENSIONS						THIS DRAWING CONTAINS INFORMATION THAT IS PROPRIETARY TO MOLEX INCORPORATED AND SHOULD NOT BE USED WITHOUT WRITTEN PERMISSION.			



PART NUMBER	COLUMN	NUMBER OF SIGNAL	NUMBER OF PIN SHIELD	A MAX	B	M	Au (um) THICKNESS	Sn/Ph (um) THICKNESS
74335-1001	10	60	10	27.00	18.00	4.75	0.76	0.38-1.52
74335-1006							1.27	
74335-2501	25	150	25	57.00	48.00		0.76	
74335-2506							1.27	
74335-1002	10	60	10	27.00	18.00	6.25	0.76	
74335-1007							1.27	
74335-2502	25	150	25	57.00	48.00		0.76	
74335-2507							1.27	
74335-1003	10	60	10	27.00	18.00	4.25	0.76	
74335-1008							1.27	
74335-2503	25	150	25	57.00	48.00		0.76	
74335-2508							1.27	
74335-1004	10	60	10	27.00	18.00	5.15	0.76	
74335-1009							1.27	
74335-2504	25	150	25	57.00	48.00		0.76	
74335-2509							1.27	

REVISED EC NO. JDT2002-0443 DRWN: MWANG 01/09/18 CHK: JLAURX 01/09/18 APPR: CBIXLER 01/09/18	QUALITY SYMBOLS MAJOR $\nabla = 0$ CRITICAL $\nabla C = 0$	GENERAL TOLERANCES: (UNLESS SPECIFIED)		SCALE 2.5:1	DESIGN UNITS <input checked="" type="checkbox"/> mm <input type="checkbox"/> INCH	DIMENSIONS: <input type="checkbox"/> mm <input type="checkbox"/> INCH <input checked="" type="checkbox"/> mm ONLY	SHT REV	
		4 PLACES $\pm 0. \text{---} \pm.$	3 PLACES $\pm 0. \text{---} \pm.$	2 PLACES $\pm 0. \text{---} \pm.$	1 PLACE $\pm 0. \text{---} \pm.$	DRAWN BY & DATE MWANG 99/11/28	TITLE: VHDM BACKPLANE 6 ROW SIGNAL-PIN END SALES DRAWING	
		ANGULAR: $\pm \text{---} \circ$				CHECKED BY & DATE JLAURX 00/02/09	APPROVED BY & DATE CBIXLER 00/02/09	
		DRAFT WHERE APPLICABLE MUST REMAIN WITHIN DIMENSIONS				CAD FILENAME SD-74335-002-DGN	MATERIAL NO. SEE CHART	DRAWING NO. SD-74335-002
THIS DRAWING CONTAINS INFORMATION THAT IS PROPRIETARY TO MOLEX INCORPORATED AND SHOULD NOT BE USED WITHOUT WRITTEN PERMISSION.								