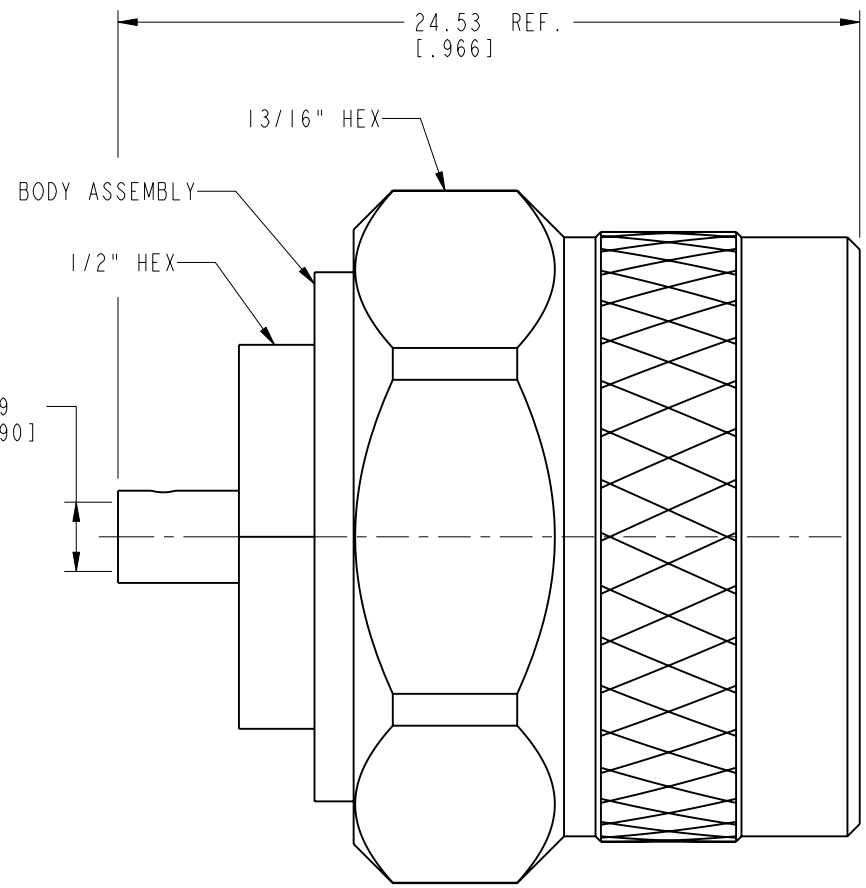
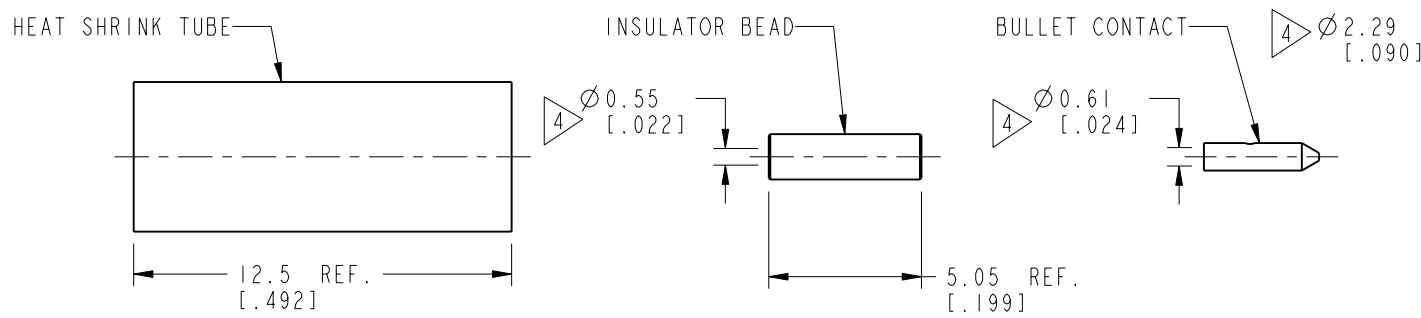
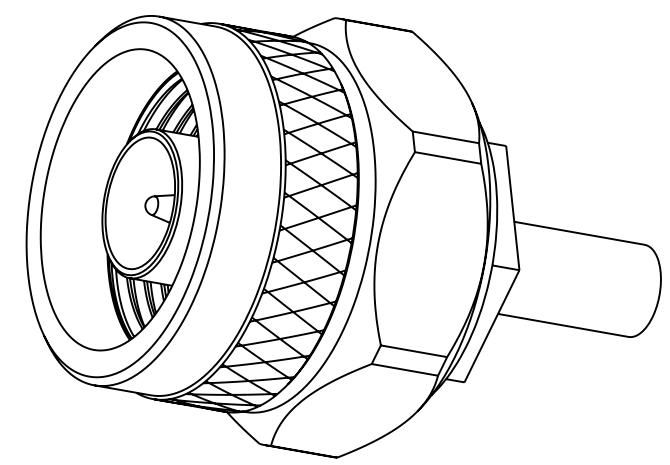
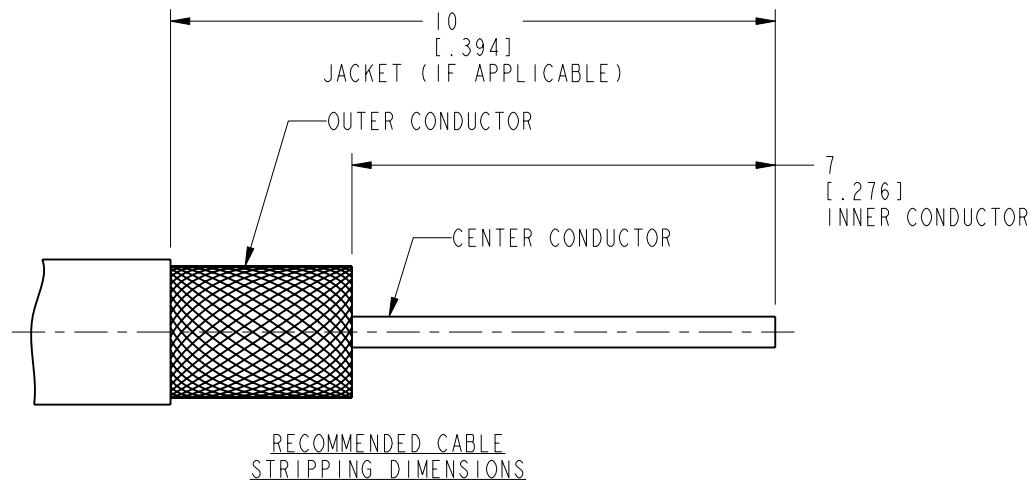


NOTES:

1. MATERIALS AND FINISHES:
 - BODY - BRASS, WHITE BRONZE PLATING
 - CONTACT - PHOSPHOR BRONZE, SILVER PLATING
 - BULLET CONTACT - BRASS, SILVER PLATING
 - INSULATOR - PTFE, NATURAL
 - INSULATOR BEAD - PTFE, NATURAL
 - COUPLING NUT - BRASS, WHITE BRONZE PLATING
 - RETAINING RING - SUS 304, NATURAL
 - GASKET - SILICONE RUBBER, RED
2. ELECTRICAL:
 - A. IMPEDANCE: 50 OHM
 - B. FREQUENCY RANGE: DC - 18 GHz
 - C. VSWR (RETURN LOSS):
 - 1.10 MAX. DC - 6 GHz
 - 1.20 MAX. 6 - 12 GHz
 - 1.25 MAX. 12 - 18 GHz
 - D. DIELECTRIC WITHSTANDING VOLTAGE: 1000 VRMS, MIN.
 - E. INTERMODULATION 3rd ORDER: -150dBc @2X20W
3. MECHANICAL:
 - A. DURABILITY: 500 CYCLES MIN.
 - B. TEMPERATURE RANGE: -65°C TO 165°C
4. INDICATES CABLE ENTRY DIMENSIONS
5. PACKAGING:
 - A. QUANTITY: SINGLE PACK
 - B. MARKING: PACKAGING TO BE MARKED
"AMPHENOL RF, 82-6686 & DATE CODE"
6. ASSEMBLY INSTRUCTIONS:
 - A. FOR SEMI-RIGID CABLE, THERMALLY CYCLE ACCORDING TO MANUFACTURERS SPECIFICATIONS.
 - B. STRIP CABLE AND INSERT THROUGH SHRINK TUBE.
 - C. INSERT INSULATOR BEAD OVER CENTER CONDUCTOR AND SOLDER BULLET CONTACT. ALL COMPONENTS SHOULD BE FLUSH. BULLET CONTACT SHOULD BE STRAIGHT.
 - D. INSERT CABLE AND BULLET CONTACT INTO BODY ASSEMBLY UNTIL CABLE BOTTOMS. APPROX. 2.5 MM OF CABLE OUTER CONDUCTOR SHOULD BE INSERTED.
 - E. SOLDER BODY ONTO CABLE. 250 WATT SOLDERING IRON RECOMMENDED. USE OF FLUX RECOMMENDED.

REVISIONS				
REV	DESCRIPTION	DATE	ECN	APPR
A	RELEASE TO MANUFACTURING	15-Jun-20	15260	CJV



CUSTOMER OUTLINE DRAWING
ALL OTHER SHEETS ARE FOR INTERNAL USE ONLY

NOTICE: These drawings, specifications, or other data (1) are, and remain the property of Amphenol corp. (2) must be returned upon request; and (3) are confidential and not to be disclosed to any person other than those to whom they are given by Amphenol Corp. The furnishing of these drawings, specifications, or other data by Amphenol Corp., or to any other person to anyone for any purpose is not to be regarded by implication or otherwise in any manner licensing, granting rights to permitting such holder or any other person to manufacture, use or sell any product, process or design, patented or otherwise, that may in any way be related to or disclosed by said drawings, specifications, or other data.		UNLESS OTHERWISE SPECIFIED DIMENSIONS ARE METRIC (INCHES) AND TOLERANCES ARE: <0.5mm = ±0.05mm [± 0.002] >0.5 - 6mm = ±0.1mm [$\pm 0.020 - 0.236 = \pm 0.004$] >6.00 - 30mm = ±0.2mm [$\pm 0.236 - 1.181 = \pm 0.008$] >30.00 - 120mm = ±0.3mm [$\pm 1.181 - 4.725 = \pm 0.012$] ANGLES = ±1°		MATERIAL SEE NOTES		TITLE 18 GHz TYPE N PLUG FOR 0.085" SEMI-RIGID & CONFORMABLE		Amphenol RF	
THIRD ANGLE PROJ. REFERENCE		ENGINEER M.ZHANG		DATE 09-Jun-20		SHEET NO. 2 OF 2		SCALE: 4.0:1.0	
EAR# 8745						DRAWING NO. 82-6686		REV A	
						ITEM NO. 82-6686			
						PART NO. 82-6686			