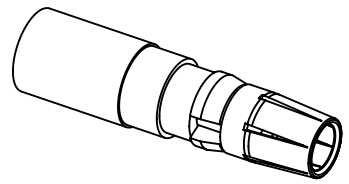
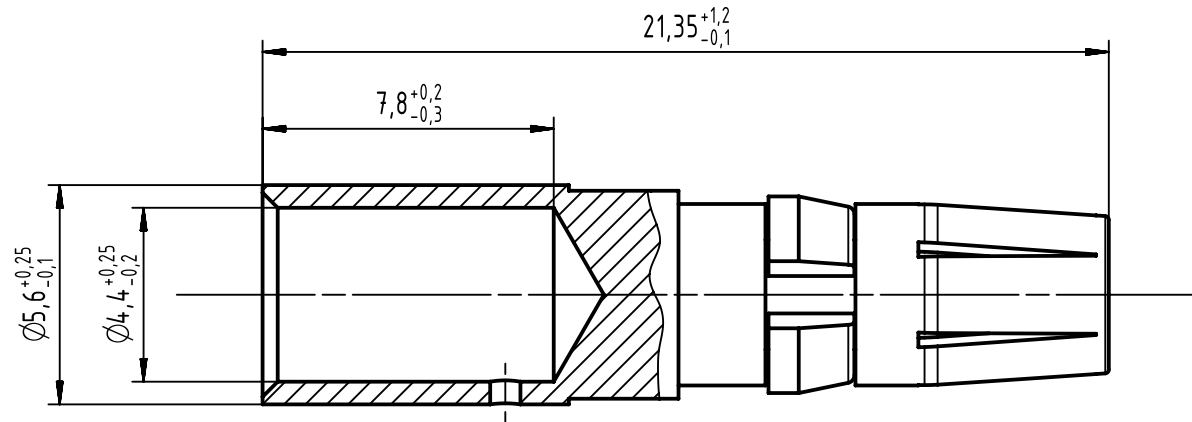


A


B

C

D



09 03 000 8215	min. 1,27 µm Au over Ni
part-no.	contact surface

	All rights reserved Department EC PD - DE	All Dimensions in mm Original Size DIN A4			Scale 5:1	Free size tol. DIN 41626-1		Ref. Sub.		
		HARTING Electronics GmbH D-32339 Espelkamp	Created by ELLERMANN	Inspected by ZWAHR	Standardisation HOFFMANN	Date 2015-01-05	State Final Release		Doc-Key / ECM-Nr. 100202735/UGD/004/A 500000083143	
		Title DIN Signal female contact power 40A straight crimp						Rev. A		Page 1/1
		Type TB		Number 09030008215						