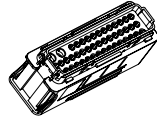
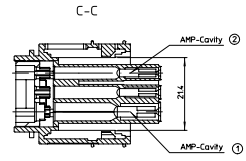
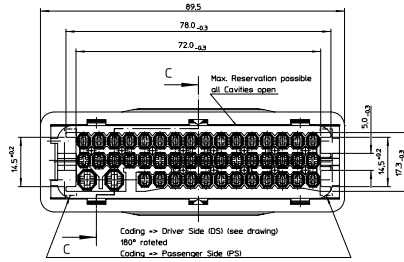
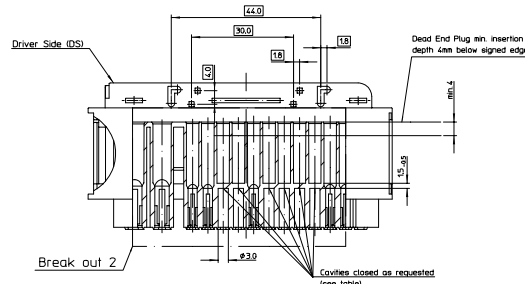
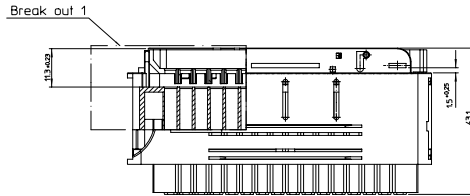


Female Housing



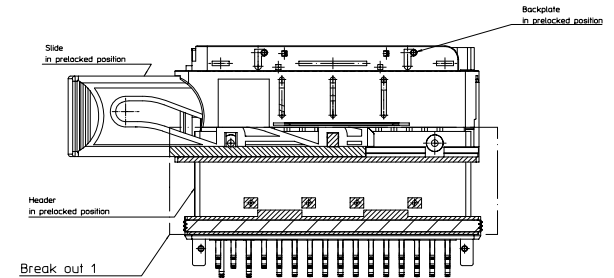
Driver Side Backside

- AMP Cavity drawing Junior Power Timer => C-B 91 3365 - 0006 (Rev. 1)
- AMP Cavity drawing Micro Timer II Contact => C-B 91 3365 - 0002 (Rev. 1)

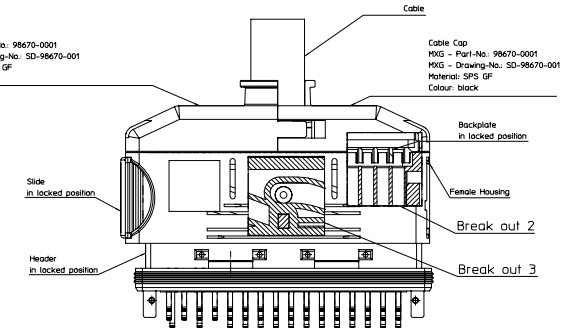


Revisionsstand entspricht der Engineering Zeichnung
Revision-level corresponds to Engineering drawing

Mating Study



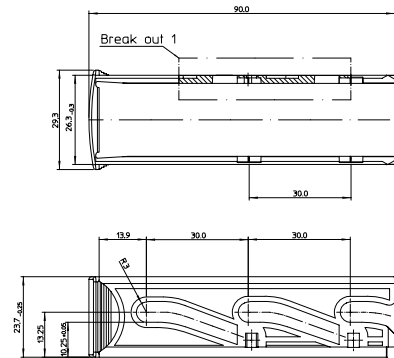
Cable Cap
MXG - Part-No: 98670-0001
MXG - Drawing-No: 3D-98670-001
Material: SPS GF
Colour: black



Cable Cap
MXG - Part-No: 98670-0001
MXG - Drawing-No: 3D-98670-001
Material: SPS GF
Colour: black

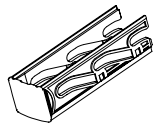
Dort ohne Genehmigung von Molex nicht an Stellen ausserhalb von Geel AG und Dapag Automotive herauszugeben werden oder fuer Fertigungsziecke verwendet werden.

Slide

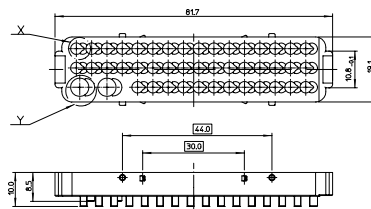


Revisionsstand entspricht der Engineering Zeichnung
Revision-level corresponds to Engineering drawing

3D - View

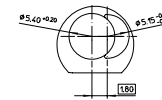


Backplate

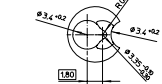


Revisionsstand entspricht der Engineering Zeichnung
Revision-level corresponds to Engineering drawing

Y 5:1



X 5:1

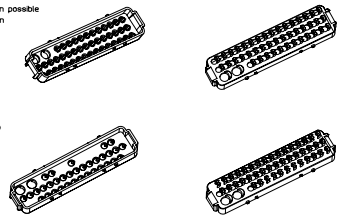


□ = Theoretical dimension

3D - Views Backplate Scale 1:1

Max. Reservation possible at Cavity's open

Driver Side (DS)



EC NO. G2003-0065 DRWN: GURBANEK/2002/09/18 CHKD: JIGURAT / 2002/09/18 APPR: HDIETZ / 2002/09/19	QUALITY SYMBOLS	GENERAL TOLERANCES (DIN16901-130/ISO2768-mH)	SCALE 2:1	DESIGN UNITS METRIC	FIRST ANGLE PROJECTION	REVISE ON CAD ONLY
	▽ 0	4 PLACES ± --- ± ---	DIMENSION STYLE MM ONLY	DRAWN BY GUR	DATE 18.05.01	TITLE DOOR ZONE MODULE FEMALE CONNECTOR
	▽ 0	3 PLACES ± --- ± ---	APPROVED BY HDI	CHECKED BY JGU	DATE 22.05.01	MATERIAL NO. SEE SHEET 1
	▽ 0	2 PLACES ± --- ± ---	DRAFT WHERE APPLICABLE MUST REMAIN WITHIN DIMENSIONS	APPROVED BY HDI	DATE 22.05.01	DOCUMENT NO. SD-98669-001
1	DESCRIPTION				MOLEX MOLEX INCORPORATED	A0