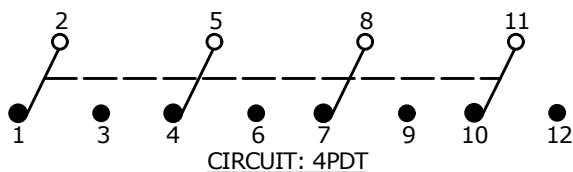
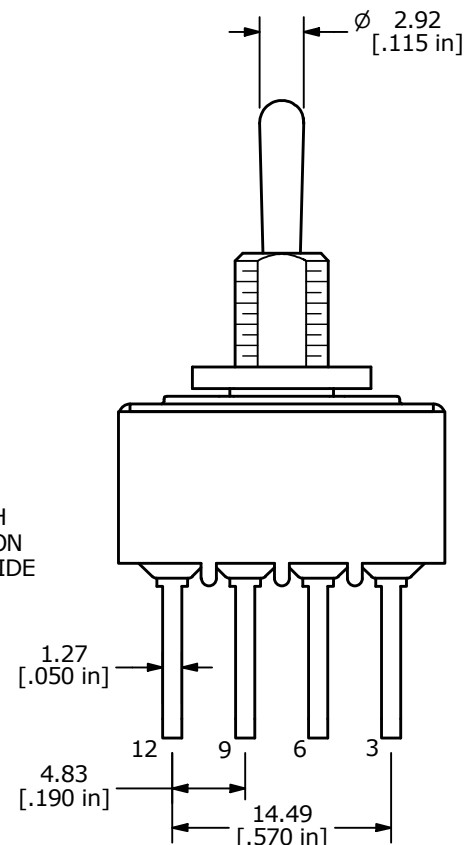
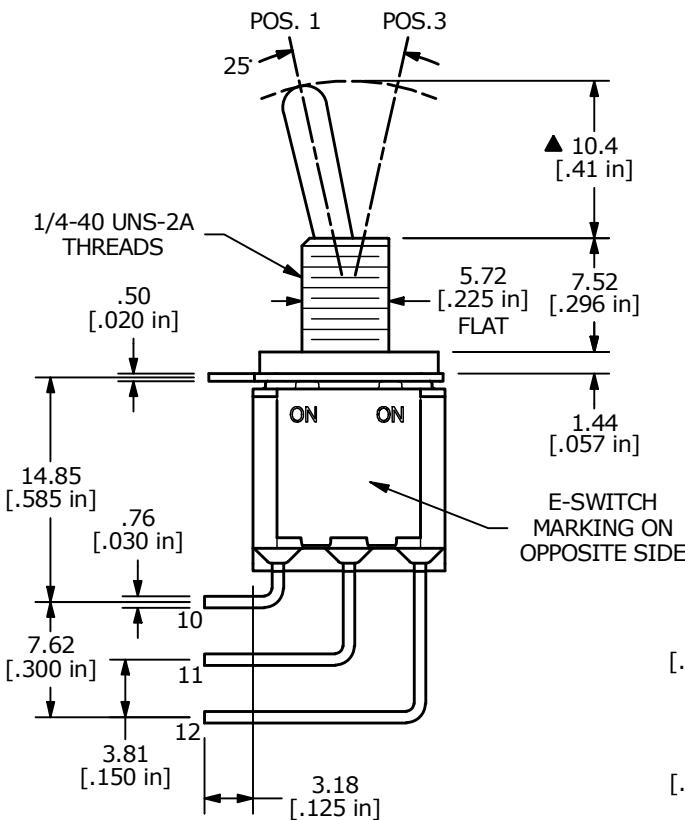


▲ SWITCH FUNCTION		
POS. 1	POS. 2	POS. 3
ON	NONE	ON
2-3,5-6, 8-9,11-12	N/A	2-1,5-4, 8-7,11-10



- NOTE:
- ALL DIMENSIONS IN MM [INCH]
 - GENERAL TOLERANCE: X.X = ±0.4
X.XX = ±0.25
 - TERMINAL NUMBERS FOR REF ONLY
 - PLATING MATERIAL: SILVER
 - RATING: 5AMPS W/RESISTIVE LOAD @ 120VAC or 28VDC
2AMPS W/RESISTIVE LOAD @ 250VAC
 - ELECTRICAL LIFE: 40,000 make-and-break cycles at full load
 - INSULATION RESISTANCE: 1,000 Mega-ohm min.
 - DIELECTRIC STRENGTH: 1,000 V RMS @sea level.
 - OPERATING TEMP.: -30°C to 85°C
 - ▲ DENOTES CRITICAL PARAMETER.
 - HARDWARE TO BE SHIPPED BULK:
T100011 - LOCK WASHER (1)
T100002 - LOCK RING (1)
T100000 - HEX NUT (2)
T100016 - O-RING (1)



REV	ECO NO	DESCRIPTION	DATE	BY
A	ECO-101322	Release	10/11/22	MW



OBJECT ID
100122859

TITLE 1004P1T1B9M7QEH				
SCALE 2:1	DATE 10/7/2022	DR MW	DWG ST147001	REV A