

PLEASE CHECK WWW.MOLEX.COM FOR LATEST PART INFORMATION

Part Number: [1041340211](#)
Status: **Active**
Overview: Automotive Bulb Sockets
Description: T20 Bulb Socket Single Housing Assembly, W21W, Unsealed, Black

Documents:

[Drawing \(PDF\)](#) [Packaging Specification PK-104134-001-001 \(PDF\)](#)
[Product Specification PS-104133-001 \(PDF\)](#) [RoHS Certificate of Compliance \(PDF\)](#)

General

Product Family	Other Sockets
Series	104134
Comments	T20 Bulb Socket Unsealed, T20 Bulb Socket Unsealed
Component Type	Socket
Overview	<u>Automotive Bulb Sockets</u>
Product Name	T20 Bulb Socket
UPC	884982895737

Physical

Circuits (Loaded)	2
Circuits (maximum)	2
Color - Resin	Black
Durability (mating cycles max)	Contact Molex
Entry Angle	Vertical
Keying to Mating Part	None
Material - Resin	Liquid Crystal Polymer
Net Weight	7.926/g
PCB Locator	No
PCB Retention	N/A
Packaging Type	Bag
Pitch - Mating Interface	N/A
Temperature Range - Operating	-40° to +85°C
Termination Interface: Style	Through Hole

Electrical

Current - Maximum per Contact	Major 2.4A, Minor 0.6A
Voltage - Maximum	14V DC

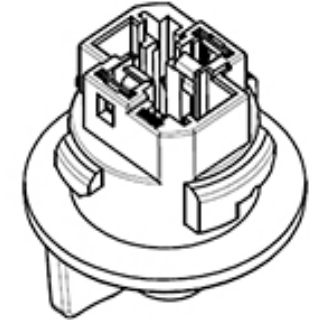
Solder Process Data

Lead-freeProcess Capability	N/A
-----------------------------	-----

Material Info

Reference - Drawing Numbers

Packaging Specification	PK-104134-001-001
Product Specification	PS-104133-001
Sales Drawing	SD-104134-001



Series image - Reference only

EU ELV

Compliant

EU RoHS

Compliant

REACH SVHC

Not Contained Per -
ED/71/2019 (16 July
2019)

Halogen-Free

Status

Low-Halogen

For more information, please visit [Contact US](#)

China ROHS

ELV

RoHS Phthalates

China RoHS

Not Relevant

Compliant

Not Contained

Search Parts in this Series

[104134 Series](#)

Mates With

T20 Base Bulb

Use With

T20 Single Type Bulb Socket Terminal
498699102