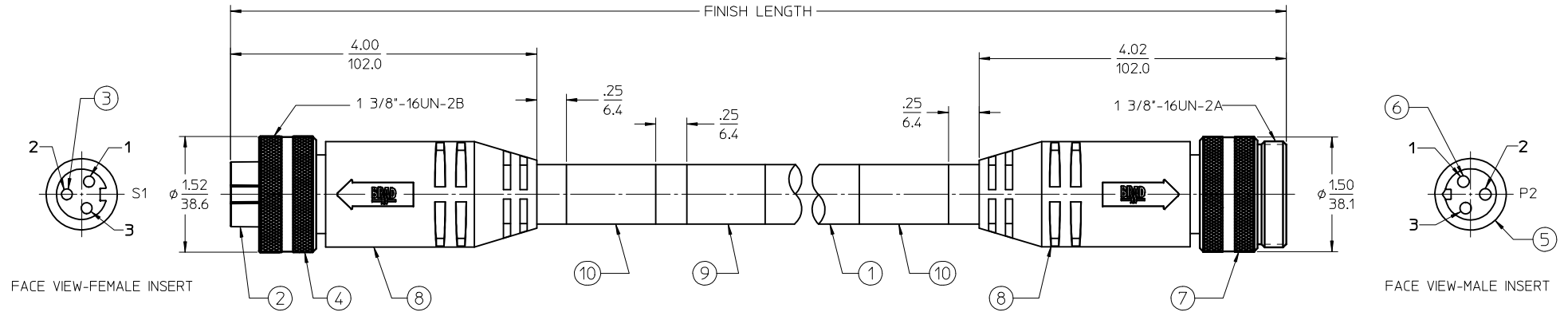


| MATERIAL NO. | ENGINEERING NO. | LENGTH |
|--------------|-----------------|--------|
| 1300640447 | CC3030K19M010E | 1M |
| 1300640448 | CC3030K19M030E | 3M |
| 1300640449 | CC3030K19M040E | 4M |

(B1) CABLE LENGTH TOLERANCES
 >.3M [1FT]: +19mm-0 [+75in-0]
 .3 - .9M [1 - 3FT]: +44.5mm-0 [+1.75in-0]
 .9 - 1.8M [3 - 6FT]: +55.6mm-0 [+2.19in-0]
 1.8 - 3.7M [6 - 12FT]: +88.9mm-0 [+3.50in-0]
 3.7 - 7.3M [12 - 24FT]: +165.1mm-0 [+6.50in-0]
 7.3-14.6M [24 - 48FT]: +317.5mm-0 [+12.50in-0]
 14.6 - 30.5M [48-100FT]: +622.3mm-0 [+24.50in-0]
 OVER 30M [100FT] +2% OF FINISHED LENGTH



- (B1) NOTES:**
1. MATERIAL: AS NOTED
 2. FINISHES: AS NOTED
 3. ELECTRICAL SPECIFICATIONS
 VOLTAGE RATING: 630V PER IEC60664
 600V PER UL2237
 CURRENT RATING: 32 AMPS
 4. PROTECTION: IP67 (WHEN MATED)
 5. TEMP RANGE: -20°C TO +90°C
 6. AGENCY LISTING: E258922
 7. DIMS SHOWN ARE FOR REFERENCE UNLESS NOTED OTHERWISE

CC3030K19M010E

cable type
TPE Cable
10/3C AWG
BLACK

cable length
001 = .1 Meter
010 = 1 Meter
020 = 2 Meter



WIRING DIAGRAM

| | | | |
|------|-------------------------|------------|---------------|
| 10 | WARNING LABEL | VINYL | ORANGE/BLACK |
| 9 | WRAP LABEL | VINYL | BLACK/YELLOW |
| 8 | OVERMOLDS | PVC | RED |
| 7 | COUPLING, MALE THREAD | ALUMINUM | CLEAR ANODIZE |
| 6 | CONTACT PIN | Cu ALLOY | GOLD PLATED |
| 5 | INSERT, MALE | PVC | BLACK |
| 4 | COUPLING, FEMALE THREAD | ALUMINUM | CLEAR ANODIZE |
| 3 | CONTACT SOCKET | Cu ALLOY | GOLD PLATED |
| 2 | INSERT, FEMALE | PVC | BLACK |
| 1 | CABLE, 10/3 TC-ER | TPE JACKET | BLACK |
| ITEM | DESCRIPTION | MATERIAL | FINISH |

| UPDATE NOTES: ADD P/N & LENGTH TO TABLE EC NO: IPG2017-0977 DRWR:RSTONE 2017/04/14 CHKD:M Z TEL INSK 2017/04/28 APPR:RWOODMAN 2017/05/14 | QUALITY SYMBOLS ▽=0 ▽=0 | GENERAL TOLERANCES (UNLESS SPECIFIED) <table border="1"> <thead> <tr> <th></th> <th>mm</th> <th>INCH</th> </tr> </thead> <tbody> <tr> <td>4 PLACES</td> <td>± .---</td> <td>± .---</td> </tr> <tr> <td>3 PLACES</td> <td>± .---</td> <td>± .---</td> </tr> <tr> <td>2 PLACES</td> <td>± .---</td> <td>± .---</td> </tr> <tr> <td>1 PLACE</td> <td>± .---</td> <td>± .---</td> </tr> </tbody> </table> ANGULAR ± ---° | | mm | INCH | 4 PLACES | ± .--- | ± .--- | 3 PLACES | ± .--- | ± .--- | 2 PLACES | ± .--- | ± .--- | 1 PLACE | ± .--- | ± .--- | DIMENSION STYLE IN/MM DRAWN BY DATE B.RUPERT 01/12/10 CHECKED BY DATE TWOLDEGE 2014/08/29 APPROVED BY DATE BWOODMAN 2014/09/04 MATERIAL NO. | SCALE 1:2 DESIGN UNITS INCH THIRD ANGLE PROJECTION | TITLE QUICK CHANGE ASSEMBLY 3 POLE FEMALE/MALE ST/ST 10/3C AWG BLACK MOLEX MOLEX INCORPORATED DOCUMENT NO. SD-130064-005 SHEET NO. 1 OF 1 |
|--|---|---|------|----|------|----------|--------|--------|----------|--------|--------|----------|--------|--------|---------|--------|--------|---|--|---|
| | | mm | INCH | | | | | | | | | | | | | | | | | |
| 4 PLACES | ± .--- | ± .--- | | | | | | | | | | | | | | | | | | |
| 3 PLACES | ± .--- | ± .--- | | | | | | | | | | | | | | | | | | |
| 2 PLACES | ± .--- | ± .--- | | | | | | | | | | | | | | | | | | |
| 1 PLACE | ± .--- | ± .--- | | | | | | | | | | | | | | | | | | |
| DRAFT WHERE APPLICABLE MUST REMAIN WITHIN DIMENSIONS | THIS DRAWING CONTAINS INFORMATION THAT IS PROPRIETARY TO MOLEX INCORPORATED AND SHOULD NOT BE USED WITHOUT WRITTEN PERMISSION | | | | | | | | | | | | | | | | | | | |