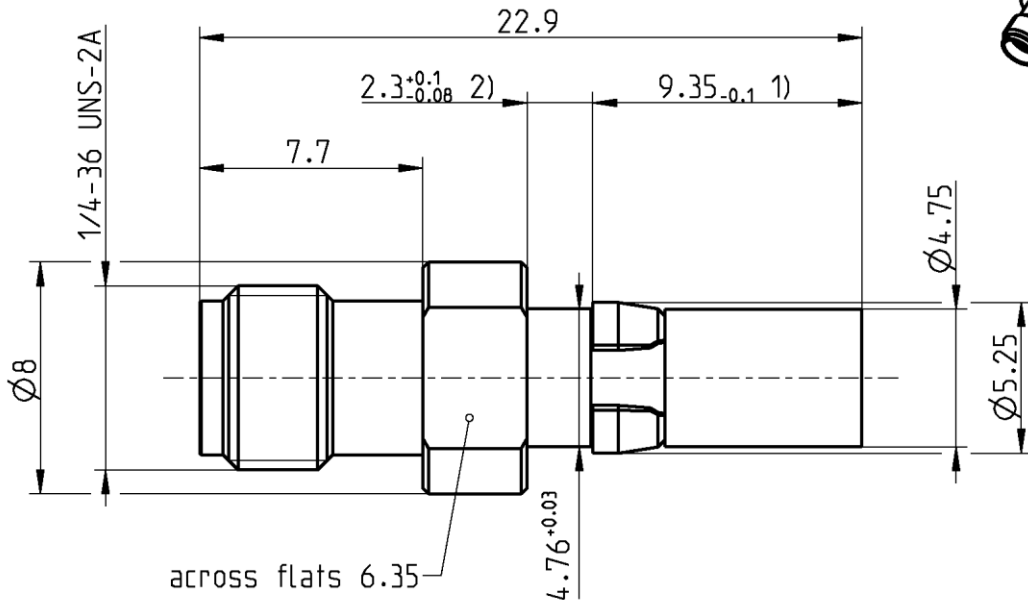


SMA Adaptor
SMA Jack –
DIN 41626 Plug

32K145-S00L5



- 1) Measured when retaining clip is fully pushed towards contact area.
- 2) The border dimension includes the necessary axial misalignment of the retaining clip.

All dimensions are in mm; tolerances according to ISO 2768 m-H

Interface

According to SMA side: IEC 60169-15, EN 122110, MIL-STD-348A, Fig. 310
DIN 41626 side: DIN 41626-T2, BS 9525 F0011

Documents

N/A

Material and plating

Connector parts

Center contact
Outer contact SMA side
Outer contact DIN 41626 side
Dielectric
Clip

Material

CuBe
CuBe or equiv.
Brass
PTFE
CuBe

Plating

AuroDur®, gold plated
AuroDur®, gold plated
AuroDur®, gold plated
Nickel, 2.5-5 µm

Dieses Dokument ist urheberrechtlich geschützt • This document is protected by copyright • Rosenberger Hochfrequenztechnik GmbH & Co. KG

RF_35/09.14/6.2

SMA

Adaptor
SMA Jack –
DIN 41626 Plug

32K145-S00L5

Electrical data

Impedance	50 Ω	
Frequency	DC to 4 GHz	
VSWR	≤ 1.06, DC to 1 GHz	
	≤ 1.10, 1 to 2 GHz	
	≤ 1.22, 2 to 4 GHz	
Insertion loss	≤ 0.03 x √f(GHz) dB	
Insulation resistance	≥ 5 x10 ³ MΩ	
Center contact resistance	≤ 3 mΩ, SMA side	≤ 10 mΩ, DIN 41626 side
Outer contact resistance	≤ 2 mΩ, SMA side	≤ 3 mΩ, DIN 41626 side
Test voltage	750 V rms	
Working voltage	250 V rms	
RF-leakage	≥ 80 dB up to 0.5 GHz	
	≥ 65 dB up to 1.5 GHz	

Mechanical data

	SMA side	DIN 41626 side
Mating cycles	min. 500	min. 500
Center contact captivation: axial	≥ 27 N	≥ 27 N
Coupling test torque	max. 1.7 Nm	N/A
Recommended torque	0.8 Nm to 1.1 Nm	N/A
Engaging and disengaging force	N/A	≤ 10

Environmental data

Temperature range	-55°C to +155°C
Thermal shock	MIL-STD-202, Meth. 107, Cond. B
Corrosion	MIL-STD-202, Meth. 101, Cond. B
Vibration	MIL-STD-202, Meth. 204, Cond. D
Shock	MIL-STD-202, Meth. 213, Cond. I
Moisture resistance	MIL-STD-202, Meth. 106
RoHS	compliant

Tooling

N/A

Suitable cables

N/A

Weight

Weight 30.9 g/pce

While the information has been carefully compiled to the best of our knowledge, nothing is intended as representation or warranty on our part and no statement herein shall be construed as recommendation to infringe existing patents. In the effort to improve our products, we reserve the right to make changes judged to be necessary.

For the installation of the electrotechnical equipment, particular electrotechnical expertise is required.



Dieses Dokument ist urheberrechtlich geschützt • This document is protected by copyright • Rosenberger Hochfrequenztechnik GmbH & Co. KG

RF_35/09.14/6.2

Draft	Date	Approved	Date	Rev.	Engineering change number	Name	Date
Rong Fang	21.09.04	Chr. Janßen	05.11.20	f00	20-1927	S. Huber-Siegl	05.11.20

Rosenberger Hochfrequenztechnik GmbH & Co. KG P.O.Box 1260 D-84526 Tittmoning Germany www.rosenberger.de				Tel. : +49 8684 18-0 Email : info@rosenberger.de		Page 2 / 2
--	--	--	--	--	--	---------------