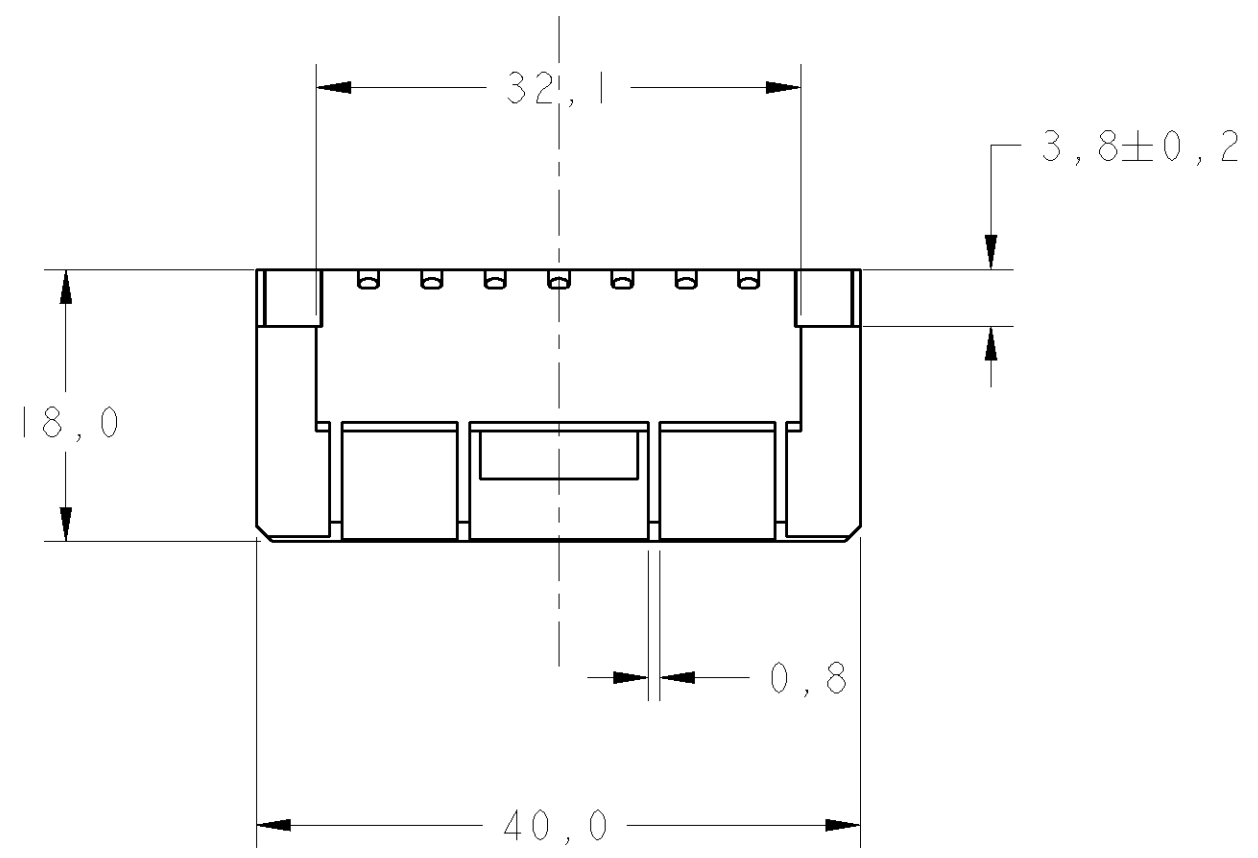
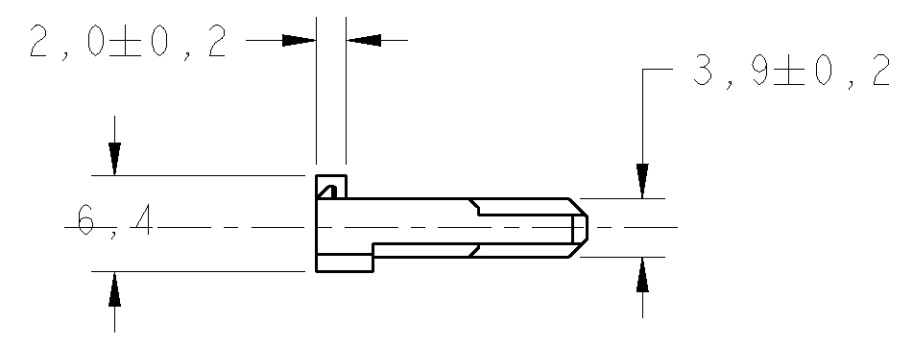
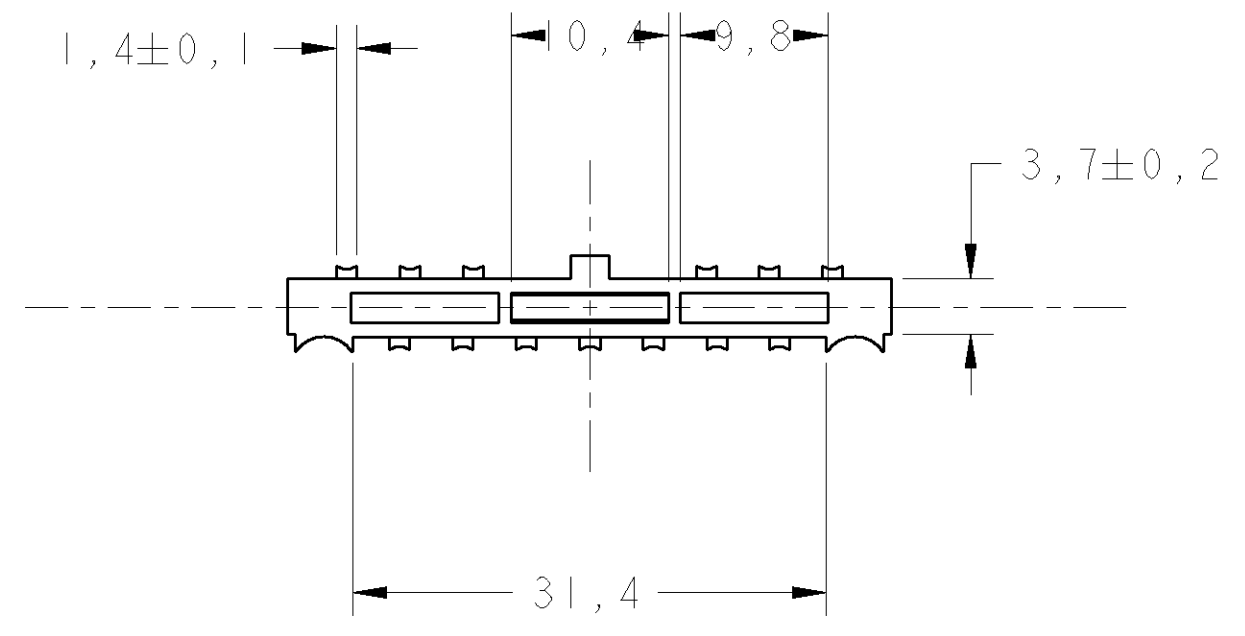


THIS DRAWING IS UNPUBLISHED. RELEASED FOR PUBLICATION 20
 © COPYRIGHT 20 BY TYCO ELECTRONICS CORPORATION. ALL RIGHTS RESERVED.

LOC	DIST	REVISIONS					
AP	-	P	LTR	DESCRIPTION	DATE	DWN	APVD
			0	RELEASED BY EC 234/02	14AUG2002	EGS	PLF

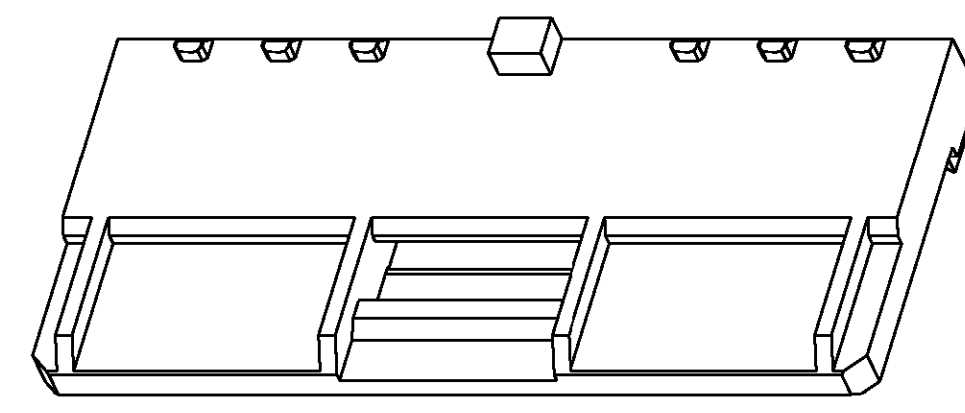
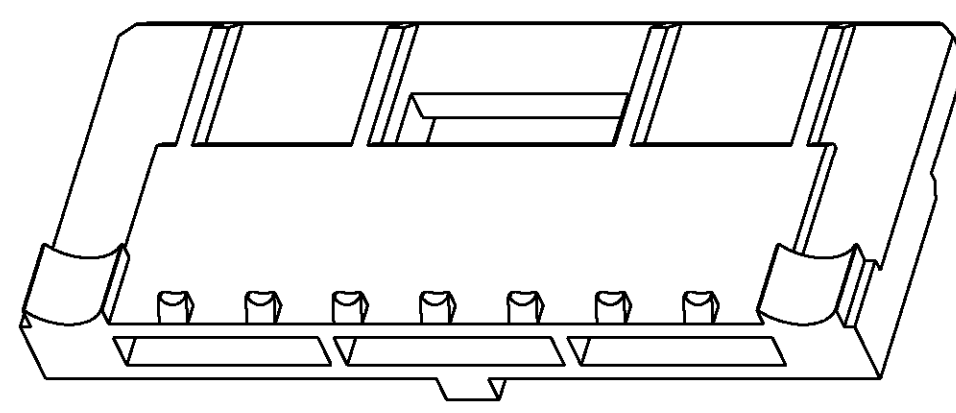
CAD
DO NOT REVISE
EXCEPT BY CAD



GRAVAÇÃO
MARKING
LOGOTIPO AMP
AMP LOGO
CÓDIGO PAÍS PRODUTOR
MANUFACTURER COUNTRY CODE
NOMENCLATURA MATERIAL
MATERIAL NOMENCLATURE
NÚMERO COMPONENTE AMP
AMP COMPONENT NUMBER
NÚMERO CAVIDADE
CAVITY NUMBER

- 1 -USAR COM CONECTOR 1599028
- △ 2 -CÓDIGO DO FORNECEDOR GE PARA COR VERMELHA 6187
- 3 -PARA EXTRAÇÃO DO SPACER UTILIZAR A FERRAMENTA CONF. AMP SPEC. 411-37035)

- 1 -TO BE USED WITH CONNECTOR 1599028
- △ 2 -SUPPLIER COLOR CODE GE RED 6187
- 3 -FOR SPACER EXTRACTION TOOL SEE AMP SPEC. 411-37035



PERSPECTIVE VIEW
 SCALE 3:1

VERMELHO/RED △ 2	PBT +33% FV/GF	493510-1
FINISH	MATERIAL	PART NUMBER

THIS DRAWING IS A CONTROLLED DOCUMENT FOR TYCO ELECTRONICS CORPORATION. IT IS SUBJECT TO CHANGE AND THE CONTROLLING ENGINEERING ORGANIZATION SHOULD BE CONTACTED FOR THE LATEST REVISION.		DWN	14AUG2002	TYCO ELECTRONICS do Brasil LTDA. São Paulo, Brasil
DIMENSIONS:		CHK	14AUG2002	
TOLERANCES UNLESS OTHERWISE SPECIFIED:		APVD	14AUG2002	
mm		NAME		
0 PLC ± 1 PLC ±0,3 2 PLC ± 3 PLC ± 4 PLC ± ANGLES ±° FINISH SEE TABLE		PRODUCT SPEC	NA	SPACER SIDE TPA SIZE CAGE CODE DRAWING NO RESTRICTED TO A2 00779 C-493510 -
MATERIAL SEE TABLE		APPLICATION SPEC	NA	
		WEIGHT	NA	SCALE 2:1 SHEET 1 OF 1 REV 0
		CUSTOMER DRAWING		