

1

2

3

4

5

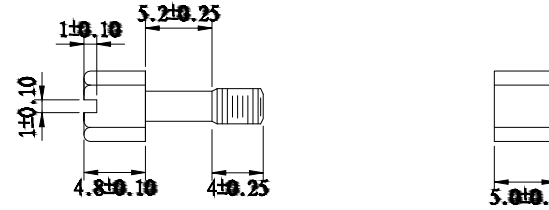
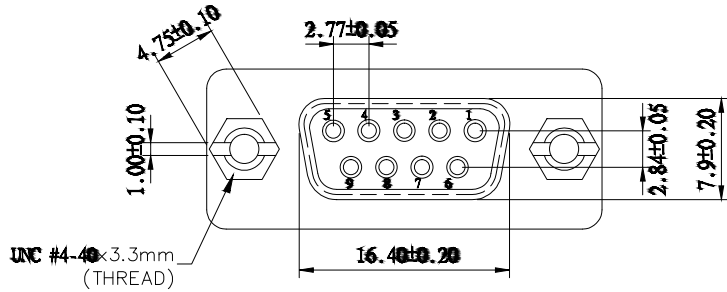
6

7

A

A

UNC #4-40 Hexscrew    UNC #4-40 Hexnut



B

B

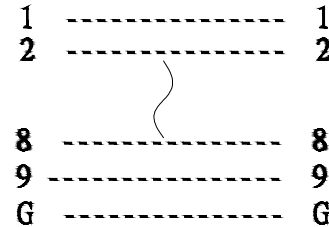
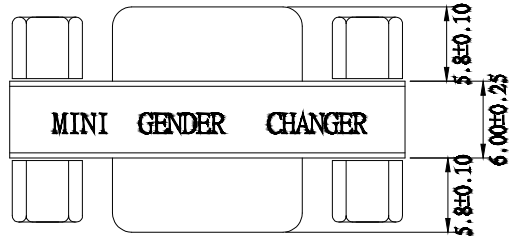
C

C

DGC 09 F/F GENDER CHANGER

PIN OUT: 9Female

9Female

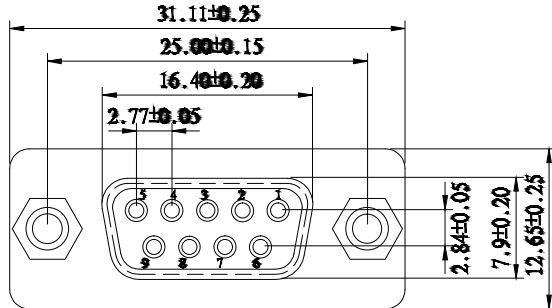


D

D

E

E



Label: yellow color with black character  
One side: MINI GENDER CHANGER

The other side: U.S.A. PATENT 5199906 GENDER CHANGER

SPECIFICATION

INSULATOR: PBT Glass fibre reinforced UL 94 VO(blue)

CONTACT: Brass

CONTACT PLATING: Gold plated over nickel

SHELL: Tin Plated Shell

F

F

G

G

Scale	Free					Date	Name	Customer-No.	
TOLERANCE						Drawn	23.08.2018	Winnie	
X.X	0.20					Approved	23.08.2018	Winnie	
X.XX	±0.15								ASSMANN WSW-No.
X.XXX	±0.05								AB411
DIM	TOL								Drawing-No.
									ASS 8196 CO
		①	Drawn	23.08.2018	Winnie	<b>ASSMANN</b> WSW components			rev00
Angle	TOL	Id.	Modification	Date	Name			Replace	Sheet

H

H

RoHS compliant

Unit: mm

1

2

3

4

5

6

7