



ANATECH ELECTRONICS INC
RF & Microwave Filters & Products

4450 MHz Ceramic Bandpass Filter

Part Number: AM4450B1239



Electrical specifications

Center Frequency: 4450 MHz
Bandwidth: 100 MHz
VSWR: 2.0 : 1
Input / Output Impedance: 50 Ohms
Passband: 4400-4500 MHz
Passband Insertion Loss: 3.0 dB max
Passband Ripple: 0.7 dB max
Rejection: 20 dB min at 4150 MHz
Rejection 2: 20 dB min at 4750 MHz
Power Handling: 2 Watt max

Mechanical

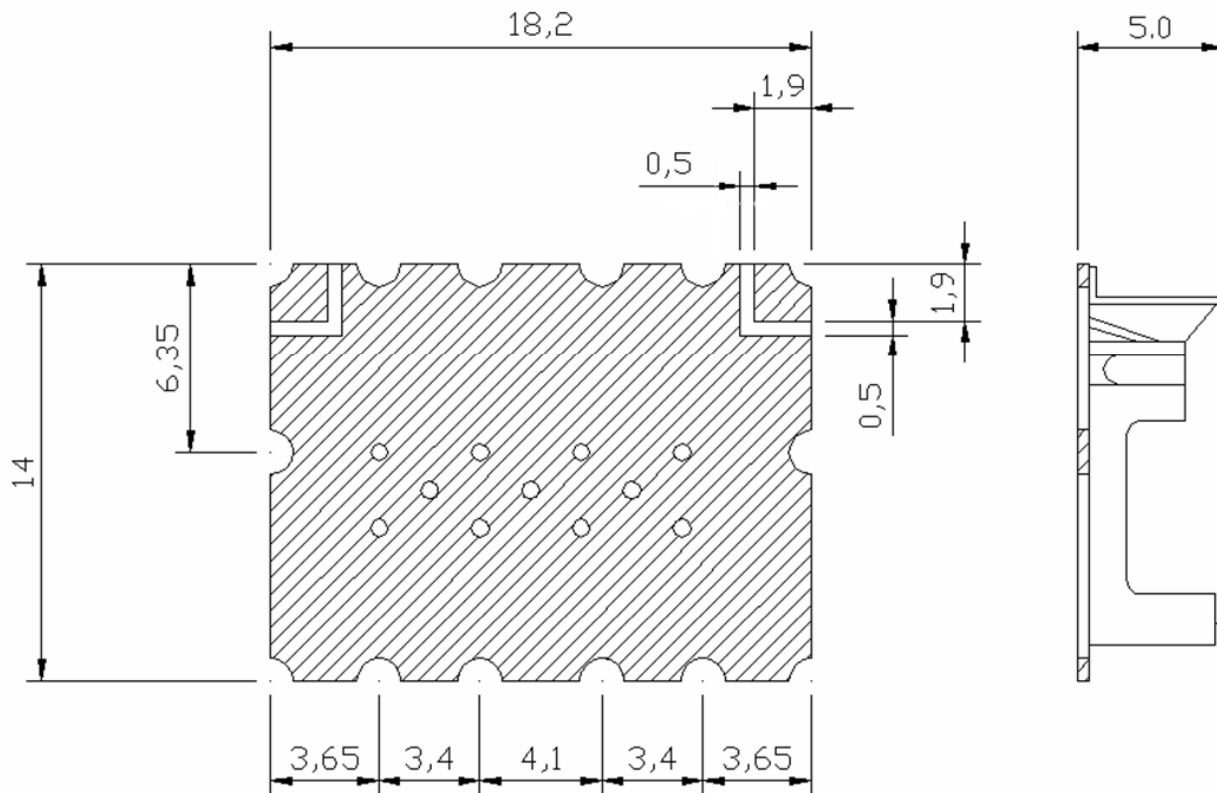
Mounting Method: SMT
Dimensions: 18.2 x 14 x 5 mm

Environmental

Operating Temperature: -20°C to +75°C
Storage Temperature: -50°C to +90°C

This product is RoHs compliant.

Outline Drawing:



Unit : mm
Tolerance : ± 0.3