

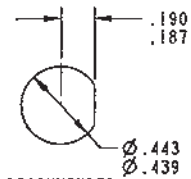
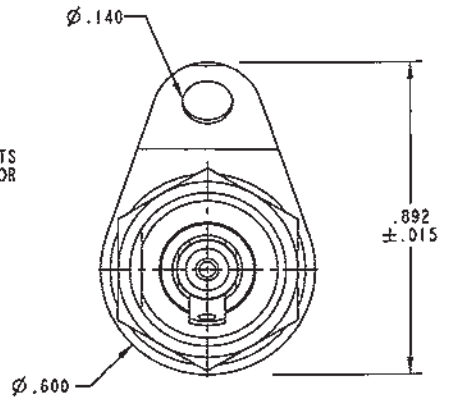
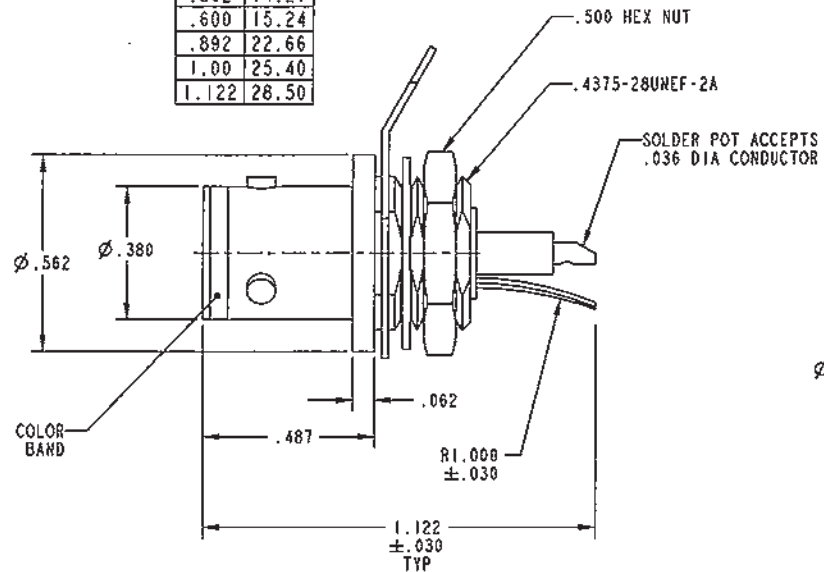
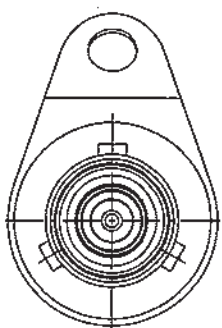
# RED INDICATES ORIGINAL

KEYING LETTER	A°	B°	C°	COLOR BAND
NONE	120°	120°	120°	NONE
S	135°	135°	90°	WHITE
T	100°	150°	110°	RED
U	120°	130°	110°	ORANGE
V	115°	130°	115°	YELLOW
W	125°	110°	125°	GREEN
X	130°	100°	130°	BLUE
Y	110°	140°	110°	VIOLET
Z	100°	160°	100°	GRAY

INCH	MM
.005	0.13
.015	0.38
.030	0.76
.036	0.91
.062	1.57
.125	3.18
.140	3.56
.187	4.75
.190	4.83
.380	9.65
.439	11.15
.443	11.25
.487	12.37
.500	12.70
.562	14.27
.600	15.24
.892	22.66
1.00	25.40
1.122	28.50

DATA CONTAINED IN THIS DOCUMENT IS PROPRIETARY TO TROMPETER ELECTRONICS INC. AND SHALL NOT BE DISCLOSED, COPIED OR USED FOR PROCUREMENT OR MANUFACTURE WITHOUT EXPRESS WRITTEN PERMISSION.

REVISIONS			3-0001		SH 1
REV	ECO NO.	DESCRIPTION	DWN	APPROVED	DATE
W	11328	SH 2 *D* FLAT PIN DEPTH WAS .200; B/M P/R 8-2149-3; WAS 8-2149-2; SEE ECO	SAC	<i>Bm</i>	<i>12/21/95</i>



RECOMMENDED PANEL CUTOUT SCALE 2.000

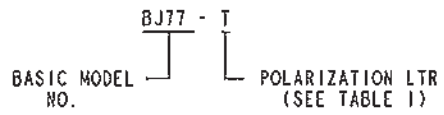
4. MAX PANEL THK .125

3. SOCKET CONTACT CONCENTRIC TWINAX/ TRIAX TRB SOLDER POT BULKHEAD MOUNT RECEPTACLE

2. FINISH: TFS-1A(NICKEL)

1. ALL DIM ARE IN INCHES

5. EXAMPLE OF COMPLETE MODEL NO:



QTY	DESCRIPTION	PART NUMBER	ITEM
TOL UNLESS SPECIFIED	<b>TROMPETER</b> RF connectivity	BJ77/S/T/U/V/ W/X/Y/Z	
.12 ±			
.25 ±			
.50 ±			
1.00 ±			
DWG SAC 12-6-95	MATERIAL	CODE IDENT 14949	DRAWING NO. 3-0001
CHK <i>Bm</i> 12-20-95			REV W
SEE SH 3 ENGR	DATE 11-12-98	SHEET 1C	
NEXT ASSY APPR <i>FB</i> 12/21/95	SCALE 4/1		