

PROPRIETARY INFORMATION:

PROPRIETARY OF GLOBTEK, INC. ANY REPRODUCTION, DISCLOSURE OR USE OF THIS DRAWING, IN WHOLE OR IN PART, IS HEREBY PROHIBITED EXCEPT AS SPECIFIED IN WRITING BY GLOBTEK, INC.

REVISION HISTORY

REV	DESCRIPTION	SALES	RFS	DATE	APPROVED
A	INITIAL RELEASE	DR	25601	8/4/2014	HM
B	UPDATE TYPO ERROR ON LABEL: CHANGE 'DI' TO DO'	BS	25629	9/4/2014	HM
C	UPDATE & CLARIFY ELECTRICAL SPECIFICATIONS	BS	25848	3/25/2015	HM
D	CHANGE 'RATED CAPACITY" TO "NOMINAL CAPACITY"	BS	25920	5/21/2015	HM
E	UPDATE RATING FROM 750 mAh TO 700mAh; UPDATE PCM	BS	26182	1/25/2016	HM
F	UPDATE LABEL ARTWORK, ADD BACK LABEL	BS	26244	3/16/2016	HM
G	ADD BARCODE S/N LABEL	BS	26261	3/22/2016	HM
H	Add C-TUV-US logo, revise IEC code from 1ICP5/30/48 to 1ICP/31/48, change "SECONDARY Li-Ion" to "Li-Ion Polymer", add "dc" to the voltage, add customer revision letter next to customer part number.	BS	26469	9/23/2016	HM
I	ADD FRENCH WORDS TO LABEL	BS	26618	1/3/2017	HM
J	CHANGE BATTERY VOLTAGE FROM 3.7 NOMINAL TO 3.7 MINIMUM	BS	26632	1/19/2017	DR
K	UPDATE RATING FROM 700 TO 700mAh (NOMINAL), 650mAh(MINIMUM)				
	UPDATE TRANSPORTATION AND UL BATTERY APPROVALS TO INCLUDE 'APPROVED TO', UPDATE MINIMUM VOLTAGE FROM 3.7V TO 3.7V(NOMINAL), CHARGE TO 3.78V MINIMUM	SV	26872	8/22/2017	DR
L	UPDATE LABEL CUSTOMER P/N FROM 81087060A TO 81087060C, UPDATE LABEL DIMENSIONS FROM 32*20 mm TO 40*25mm	SV	27098	5/30/2018	DR
M	Update humidity operating range from 60±25% to 15% - 85%RH (Per ECR 8718DJD); Update packaging from individual gift boxes to plastic trays (Per FAI 8918DJD)	SV	27162	9/12/2018	DR
M1	FORMAT UPDATE	DR	27542	7/5/2020	DR
M2	UPDATE RoHS from EU 2002/95/EC AND CHINA SJ/T 11363-2006 to DIRECTIVE 2011/65/EU AND CHINA SJ/T 11363-2014	DR	27645	6/14/2021	DR
M3	UPDATE LABEL: REMOVE TUV APPROVAL	MK	27657	8/17/2021	DR
M4	UPDATE LABEL TO REV.D	MK	27769	2/22/2023	DR
M5	UPDATE 'ROHS' compliance	MK	27790	4/18/2023	DR

See Page 2 for important battery warranty and usage information.


Foot Note:

Globtek Inc. will not be liable for the safety and performance of these power supplies if unauthorized access and repair occurs. End user should consult applicable UL, CSA or EN standards for proper installation instruction.

Limitation of Use:

Globtek product are not authorized for use as mission critical components in life support hazardous environment, nuclear or aircraft applications without prior written approval from the CEO of Globtek Inc.

Contents of this document are subject to change without prior notice

 GlobTek® Inc. www.globtek.com	Drawing Title: Li-Ion POLYMER BATTERY PACK	
	3.7 VOLTS @ 700mAh	
186 Veterans Drive, Northvale, NJ 07467 Tel. 201-784-1000 Fax 201-784-0111	MODEL NO: GP503048	
	PART NO: BL0750F5030481S1PCMC	Rev M5

PROPRIETARY INFORMATION:

PROPRIETARY OF GLOBTEK, INC. ANY REPRODUCTION, DISCLOSURE OR USE OF THIS DRAWING, IN WHOLE OR IN PART, IS HEREBY PROHIBITED EXCEPT AS SPECIFIED IN WRITING BY GLOBTEK, INC.

By customer signing or accepting this document, they agree to acknowledge and accept the **Guidelines and cautions, Safety Notes, and Safety Precautions published on GlobTek's website** http://en.globtek.com/safety-cautions.php#.UUD-NRzU_I8

GlobTek offers a 5-year warranty on workmanship and electrical components assembly on all new battery pack products excluding the battery cells themselves which are covered by the Manufacturer's original warranty at their published warranty period. Please refer to the manufacturer's manufacturer's warranty policy for cells. For GlobTek brand cells, GlobTek provides a 12-month warranty for Li-Ion batteries. The warranty period is based upon the expectation that the battery will deliver 80% of its initial capacity after 300 cycles at low to moderate power loads. High power loads may cause a battery to reach 80% of initial capacity in less than the 12-month warranty period. Li-Ion batteries will continue to operate below the 80% capacity threshold; however, the capacity (run time) delivered between charges will continue to decrease.

The purchaser of GlobTek battery pack products (Customer) agrees that they are a "Sophisticated user" who understands battery technology and that it is their sole responsibility to determine suitability of the product described for their application and to take precautions for protection against any hazards attendant to the handling and use of the product. GlobTek products are only designed for professional use and integration by companies into their products and may not be used by consumers directly. GlobTek provides batteries and battery packs as a component of an end system.

The acceptance of GlobTek specifications, the information on this page and use of the product(s) described in this or other GlobTek documents indicate that the product was qualified for use (tested and/or sample waiver signed), and the acceptance and binding of the customer to GlobTek terms and conditions, which supersede all other agreements, terms and conditions <http://en.globtek.com/terms-and-conditions/>

Customer Approval of Specification:

Please approve, sign and send back to GlobTek so we can complete order processing.

A delay in receipt of this form will delay delivery schedule.

Company Name:

Customer P/N:

Quote Number:

Date:

Authorized Representative Name:

Authorized Representative Signature:

 GlobTek®, Inc.
www.globtek.com

186 Veterans Drive, Northvale, NJ 07467
Tel. 201-784-1000 Fax 201-784-0111

Drawing Title: Li-Ion POLYMER BATTERY PACK

3.7 VOLTS @ 700mAh

MODEL NO: GP503048

PART NO: BL0700F5030481S1PCMC

Rev M5

PROPRIETARY INFORMATION:

PROPRIETARY OF GLOBTEK, INC. ANY REPRODUCTION, DISCLOSURE OR USE OF THIS DRAWING, IN WHOLE OR IN PART, IS HEREBY PROHIBITED EXCEPT AS SPECIFIED IN WRITING BY GLOBTEK, INC.

1.GENERAL SPECIFICATION:

LITHIUM-ION POLYMER BATTERY PACK

CELL:	GP503048
PCM:	GLOBTEK STANDARD
NTC:	N/A
ID:	N/A
CONFIGURATION:	1S1P
WEIGHT:	APROX 22.0 g

2.ELECTRICAL SPECIFICATION:

NOMINAL CAPACITY:	700 mAh (NOMINAL); 650mAh (MINIMUM)
VOLTAGE:	3.7V (NOMINAL); CHARGE TO 3.78V MINIMUM
WATT-HOUR RATING:	2.59WH
CHARGING METHOD:	CONSTANT CURRENT TO 4.20V + CONSTANT VOLTAGE 4.2V TO 0.01C CUT-OFF
MAX. CHARGE VOLTAGE [V]:	4.20 (±50mV)
CHARGE CURRENT:	0.2C STANDARD; 1.0C MAXIMUM
REC. CHARGE CUT OFF:	BY CURRENT 50mA OR TIMER 4H
DISCHARGE CURRENT:	0.2C STANDARD; 1.0C MAXIMUM CONTINUOUS
REC. DISCHARGE CUT OFF:	3V
INTERNAL IMPEDANCE:	≤220 mΩ (new cell)
EXP. CYCLE LIFE:	>500 CYCLES > 70% OF INITIAL CAPACITY (0.5C CHARGE / 0.5C DISCHARGE) >300 CYCLES, >80% OF INITIAL CAPACITY (0.5C CHARGE / 0.5C DISCHARGE)

CELL PROTECTION:

OVER CHARGE DETECTION:	4.25 ± 0.025V (0.9 TO 1.4 SEC. DELAY, RESUME 4.08 ± 0.025V)
OVER DISCHARGE DETECTION:	3.0 ± 0.05V (115 to 173msec. DELAY, RELEASE 3.20 ± 0.08V; RECHARGE TO BEGIN CHARGING AGAIN)
OVER CURRENT DETECTION:	1.0A to 4.0A (7.2 to 11.0 msec. DELAY; CUT LOAD TO RELEASE)

3. AMBIENT CONDITIONS

TEMPERATURE RANGE:

CHARGE:	0 TO +45°C
DISCHARGE:	-20 TO +60°C
CHARGE RETENTION/STORAGE [%]:	1 YEAR AT -20 TO +20°C >80% 3 MONTHS AT -20 TO +45°C >80% 1 MONTH AT -20 To +60°C >80%
HUMIDITY:	15%- 85% RH

4.ENVIORMENTAL AND SAFETY

PLEASE FOLLOW GlobTek, Inc. HANDLING AND SAFETY PRECAUTIONS FOR Lilon & LiPolymer.

5. CELL REGULATORY APPROVALS:

UL:	UL 1642; MH48131
-----	------------------

6 BATTERY PACK APPROVALS:

RoHS:	Delegated Directive (EU) 2015/863 RoHS III & China SJ/T 11363-2014 China RoHS 2 2019 a) Article 13-14, b) Article 18
CE Mark:	COMPLIES WITH 2004/108/EC ELECTROMAGNETIC COMPATIBILITY INCLUDING BUT NOT LIMITED TO EN61000-6-1:2007, EN61000-6-3:2007
TRANSPORTATION:	APPROVED TO un38.3, UL 2054, IEC 62133
UL:	APPROVED TO UL 2054, IEC 62133



GlobTek, Inc.
www.globtek.com
 186 Veterans Drive, Northvale, NJ 07467
 Tel. 201-784-1000 Fax 201-784-0111

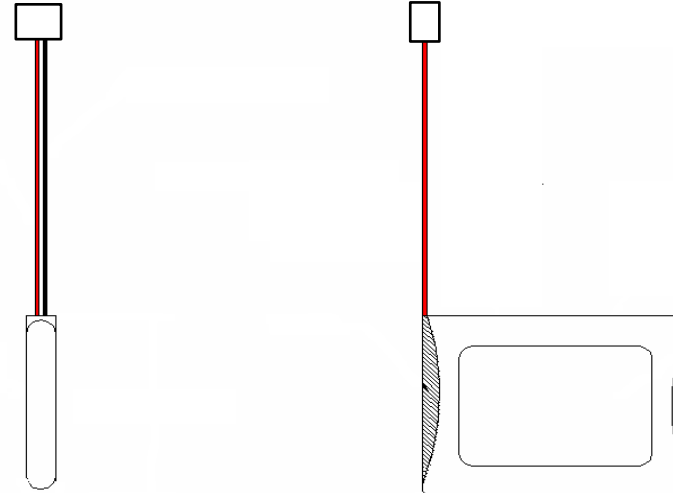
Drawing Title: Li-Ion POLYMER BATTERY PACK
 3.7 VOLTS @ 700mAh
 MODEL NO: GP503048
 PART NO: BL0750F5030481S1PCMC
 Rev M5

PROPRIETARY INFORMATION:


PROPRIETARY OF GLOBTEK, INC. ANY REPRODUCTION, DISCLOSURE OR USE OF THIS DRAWING, IN WHOLE OR IN PART, IS HEREBY PROHIBITED EXCEPT AS SPECIFIED IN WRITING BY GLOBTEK, INC.

7. MECHANICAL:

DIMENSIONS:	50.5 x 30.5 (± 5) x 5.3 (± 0.3) mm
SHRINK WRAP:	BLUE PVC
WIRE TYPE:	UL1007, 24AWG
WIRE LENGTH:	50.8 mm +5.0 /-0.0mm
WIRE POLARITY:	PIN 1: RED POSITIVE (+)
WIRE POLARITY:	PIN 3: BLACK NEGATIVE (-)
STRIP LENGTH:	AS REQUIRED
TIN LENGTH:	N/A
ADDITIONAL REQUIREMENTS:	N/A



[ADDITIONAL OUTPUT PLUG OPTIONS ARE AVAILABLE BY CLICKING THIS LINK.](#)
[STANDARD PLUGS AND CONNECTORS CAN BE SEEN ONLINE BY CLICKING THIS LINK](#)

 GlobTek, Inc.

www.globtek.com

186 Veterans Drive, Northvale, NJ 07467

Tel. 201-784-1000 Fax 201-784-0111

Drawing Title: Li-Ion POLYMER BATTERY PACK

3.7 VOLTS @ 700mAh

MODEL NO: GP503048

PART NO: BL0750F5030481S1PCMC

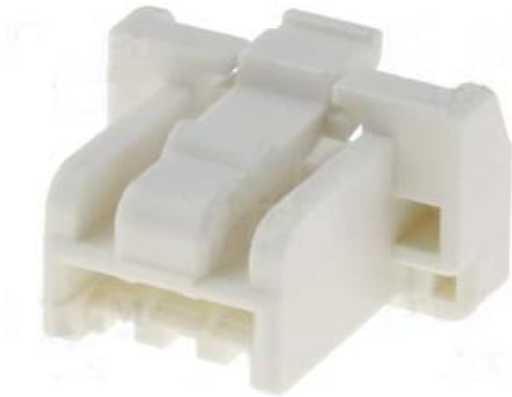
Rev M5

PROPRIETARY INFORMATION:

PROPRIETARY OF GLOBTEK, INC. ANY REPRODUCTION, DISCLOSURE OR USE OF THIS DRAWING, IN WHOLE OR IN PART, IS HEREBY PROHIBITED EXCEPT AS SPECIFIED IN WRITING BY GLOBTEK, INC.

8. OUTPUT CONNECTOR:

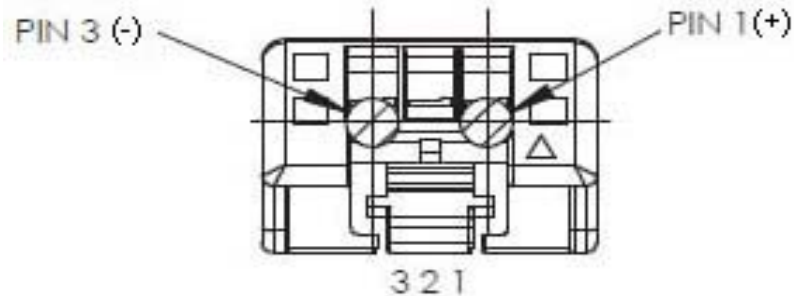
ACTUAL CONNECTOR'S, OVERMOLDS, MAY VARY SLIGHTLY FROM THE PICTURE BELOW



	EQUIVALENT	Y / N	
PLUG HOUSING TYPE		Y	MOLEX 5025780300
PLUG TERMINALS			MOLEX 5025790000
PLUG DIMENSIONS			See drawing below
POLARITY			PIN 1: RED POSITIVE(+)
ADDITIONAL REQUIREMENTS			PIN 3: BLACK NEGATIVE (-)

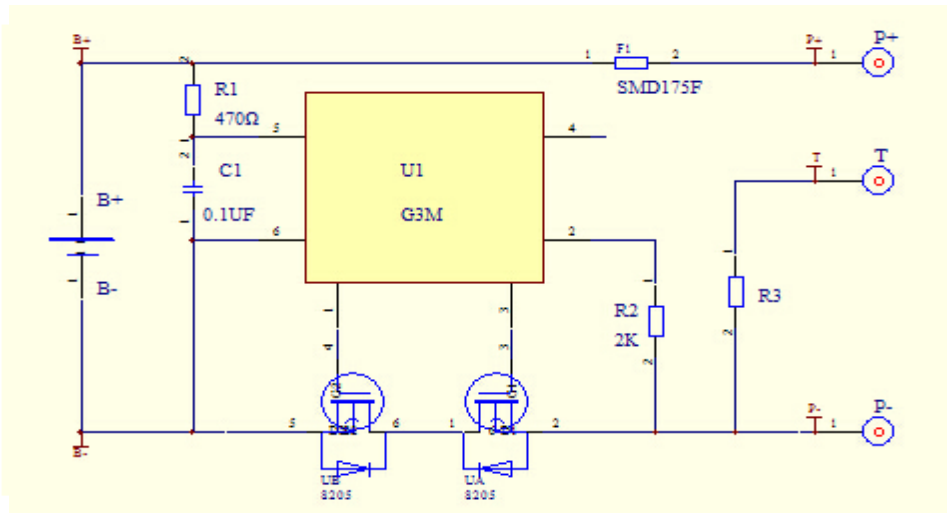
[ADDITIONAL OUTPUT PLUG OPTIONS ARE AVAILABLE BY CLICKING THIS LINK.](#)
[STANDARD PLUGS AND CONNECTORS CAN BE SEEN ONLINE BY CLICKING THIS LINK](#)

BACK VIEW



Battery Protection Module

NO.	Location	Part name	Specification	Pack type	Qty
1	U1	Battery protection IC	G3J	SOT-23-6	1
2	U2	Silicon MOSFET	A8820	TSSOP-8	1
3	R1	Resistance	SMD 470Ω±5%	0402	1
4	R2	Resistance	SMD 2K±5%	0402	1
5	R3	Resistance	SMD 10KNTC±5%	0402	1
6	C1	Capacitance	SMD 0.1μF	0402	1
7	F1	PTC	SMD175F	1210	1
8	PCB	Print circuit board	LHY- BH1S0425001 (25±0.15)*(4±0.1)*(0.6±0.1)		1



PROPRIETARY INFORMATION:

PROPRIETARY OF GLOBTEK, INC. ANY REPRODUCTION, DISCLOSURE OR USE OF THIS DRAWING, IN WHOLE OR IN PART, IS HEREBY PROHIBITED EXCEPT AS SPECIFIED IN WRITING BY GLOBTEK, INC.

9. LABEL:

MATERIAL:	TBD
BACKGROUND COLOR:	WHITE
TEXT COLOR:	BLACK
LABEL WIDTH: (mm)	40 mm
LABEL HEIGHT: (mm)	25 mm
ADDITIONAL REQUIREMENTS:	N/A

FRONT LABEL:



SERIAL NUMBER FORMAT

(BARCODE AND HUMAN-READABLE):

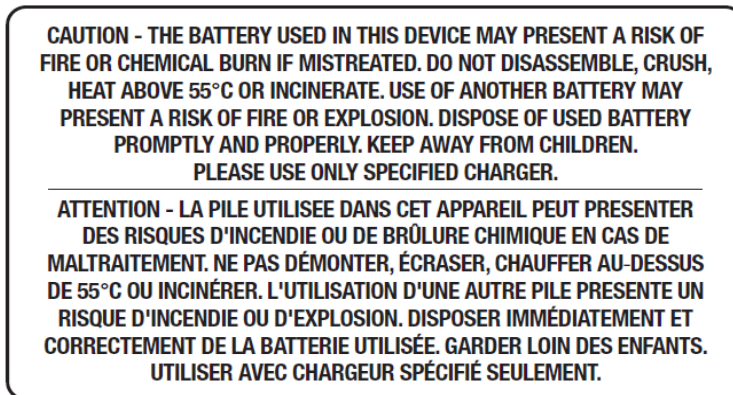
MM = Month of manufacture

YY = Year of manufacture

G = G (GlobTek)

XXXXX = Sequential number starting at 00001

BACK LABEL:



GlobTek, Inc.

www.globtek.com

186 Veterans Drive, Northvale, NJ 07467

Tel. 201-784-1000 Fax 201-784-0111

Drawing Title: Li-Ion POLYMER BATTERY PACK

3.7 VOLTS @ 700mAh

MODEL NO: GP503048

PART NO: BL0750F5030481S1PCMC

Rev M5

PROPRIETARY INFORMATION:

PROPRIETARY OF GLOBTEK, INC. ANY REPRODUCTION, DISCLOSURE OR USE OF THIS DRAWING, IN WHOLE OR IN PART, IS HEREBY PROHIBITED EXCEPT AS SPECIFIED IN WRITING BY GLOBTEK, INC.

10. PACKAGING:



Each tray holds 12 batteries



20 trays per stack



2 stacks of trays individually taped together in a bundle with layer of cardboard on top to protect the top layer of batteries



Layer of cardboard added to bottom of master carton



Each stack holds 240 batteries



Master carton 414*250*190mm
Master carton holds 480 batteries



Shipment is palletized