

SPECIFICATIONS SHEET

PRODUCT TYPE : MECHANICAL BUZZER

PRODUCT SERIES : BR2618L

DESCRIPTION : MC BUZZER SINGLE 6VDC L/W ABS SP

RoHS

COLOR : WHITE

ELECTRICAL SPECIFICATIONS

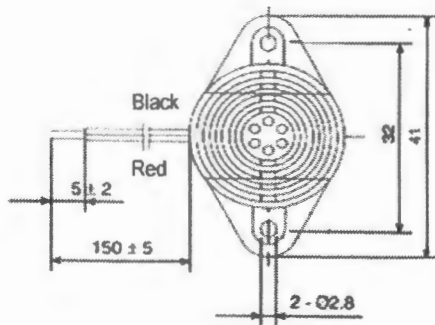
<u>MODEL NO.</u>	<u>BR2618L-06</u>	
<u>OPERATING VOLTAGE RANGE</u>	(VDC)	4.0 ~ 8.0
<u>RATED VOLTAGE</u>	(VDC)	6.0
* <u>MAX. RATED CURRENT</u>	(mA)	33.0
* <u>MIN. SOUND OUTPUT</u>	(dBA / 10 cm)	95.0
* <u>FREQUENCY</u>	(Hz)	400 ± 100
<u>TONE NATURE</u>		SINGLE
<u>OPERATING TEMPERATURE</u>	(°C)	-20 ~ +60
<u>TERMINAL</u>		LEADWIRE
<u>HOUSING MATERIAL</u>		ABS
<u>WEIGHT</u>	(g)	17.0

* Value applying at rated voltage

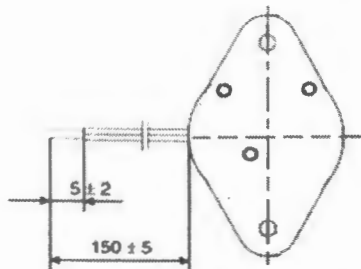
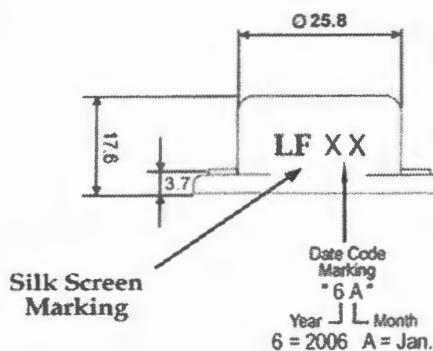
DIMENSIONS

UNIT : mm

TOP VIEW



SIDE VIEW



BOTTOM VIEW

Modify :	Date :	By :
/		
		Ref. 2-001