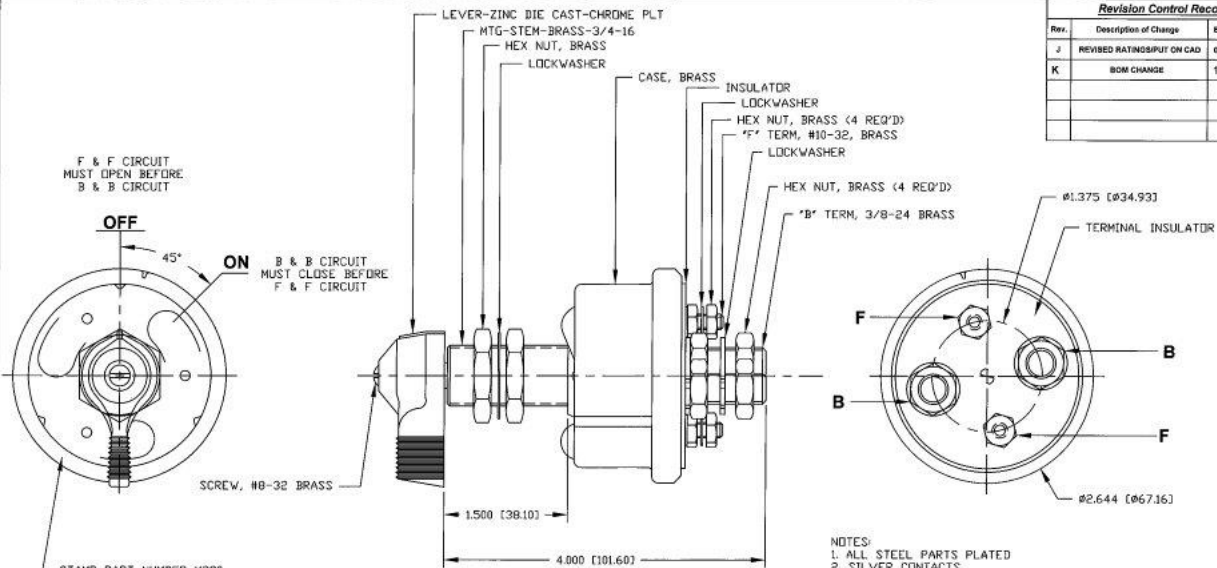


Revision Control Record			
Rev.	Description of Change	ECN No.	Date
J	REVISED RATINGS/PUT ON CAD	05224	6/17/05
K	BOM CHANGE	10175	4/28/10



- NOTES:
 1. ALL STEEL PARTS PLATED
 2. SILVER CONTACTS
 3. CONTINUOUS RATING: 6-12-24-36 VOLTS D.C., LARGE STUDS 175 AMPS, SMALL STUDS 20 AMPS
 INTERMITTENT RATING: 6-12-24-36 VOLTS D.C., LARGE STUDS 1000 AMPS, 15 SECONDS ON, 5 MINUTES OFF
 4. BRASS CONTACTS 75903 & M289
 SILVER CONTACTS 75904 & M290
 5. ALL DIMENSIONS REFERENCE ONLY

STAMP PART NUMBER M290
 & DATE CODE AT
 RANDOM LOCATION

TOLERANCES Unless otherwise specifically noted, the following are to be used:

- ±.0004 (Nominal Dimension) ±.001
- ±.0005 (Nominal Dimension) ±.0005
- ±.0006 (Nominal Dimension) ±.0006
- ±.0008 (Nominal Dimension) ±.0008
- ±.0010 (Nominal Dimension) ±.0010
- ±.0012 (Nominal Dimension) ±.0012
- ±.0015 (Nominal Dimension) ±.0015
- ±.0020 (Nominal Dimension) ±.0020
- ±.0025 (Nominal Dimension) ±.0025
- ±.0030 (Nominal Dimension) ±.0030
- ±.0040 (Nominal Dimension) ±.0040
- ±.0050 (Nominal Dimension) ±.0050
- ±.0060 (Nominal Dimension) ±.0060
- ±.0070 (Nominal Dimension) ±.0070
- ±.0080 (Nominal Dimension) ±.0080
- ±.0090 (Nominal Dimension) ±.0090
- ±.0010 (Nominal Dimension) ±.0010
- ±.0012 (Nominal Dimension) ±.0012
- ±.0015 (Nominal Dimension) ±.0015
- ±.0020 (Nominal Dimension) ±.0020
- ±.0025 (Nominal Dimension) ±.0025
- ±.0030 (Nominal Dimension) ±.0030
- ±.0040 (Nominal Dimension) ±.0040
- ±.0050 (Nominal Dimension) ±.0050
- ±.0060 (Nominal Dimension) ±.0060
- ±.0070 (Nominal Dimension) ±.0070
- ±.0080 (Nominal Dimension) ±.0080
- ±.0090 (Nominal Dimension) ±.0090
- ±.0010 (Nominal Dimension) ±.0010
- ±.0012 (Nominal Dimension) ±.0012
- ±.0015 (Nominal Dimension) ±.0015
- ±.0020 (Nominal Dimension) ±.0020
- ±.0025 (Nominal Dimension) ±.0025
- ±.0030 (Nominal Dimension) ±.0030
- ±.0040 (Nominal Dimension) ±.0040
- ±.0050 (Nominal Dimension) ±.0050
- ±.0060 (Nominal Dimension) ±.0060
- ±.0070 (Nominal Dimension) ±.0070
- ±.0080 (Nominal Dimension) ±.0080
- ±.0090 (Nominal Dimension) ±.0090

FINISHES All dimensions are expressed in inches unless otherwise specified.

TEXT All dimensions are in inches unless otherwise specified.

UNIT All dimensions are in inches unless otherwise specified.

SCALE 1:1

Used On:
 or Ref:
 Scale: 1:1
 Drawn By: CF
 Date Drawn: 6/24/69

PROPRIETARY INFORMATION This Engineering Drawing and the information contained therein, is proprietary to Cole Hersee Company and may not be disclosed, reproduced, or in any other way transmitted or disseminated to any other party without the express written consent of an authorized representative of Cole Hersee Company.

DESIGNER'S NOTE It is the responsibility of the individual using this drawing to ensure that the correct design revision level agrees with the revision level of the Controlled Document (where drawing). This is a **CONTROLLED DOCUMENT** unless otherwise specifically noted.

REVISIONS (Elemental) revision may occur during production.

Basic Description:

- ⊕ Check Dimensions, writing to Safety and/or Regulatory Compliance
- ⊕ Sign-Off Characteristics adding to Process Control (PC)
- ⊕ Control Dimensional and Form - RI - Function as defined by Cole Hersee Company and/or BA Customer

(Write the Specification of any Characteristics as being "Special" does not alter the requirement that ALL specified dimensions & tolerances must be met!)

Responsible Engineer: NA
 Pg. 1 of 1

Cole Hersee Co.
 20 Old Colony Ave., South Boston, MA, 02127
 Phone: 617-288-2100 Web: www.colehersee.com

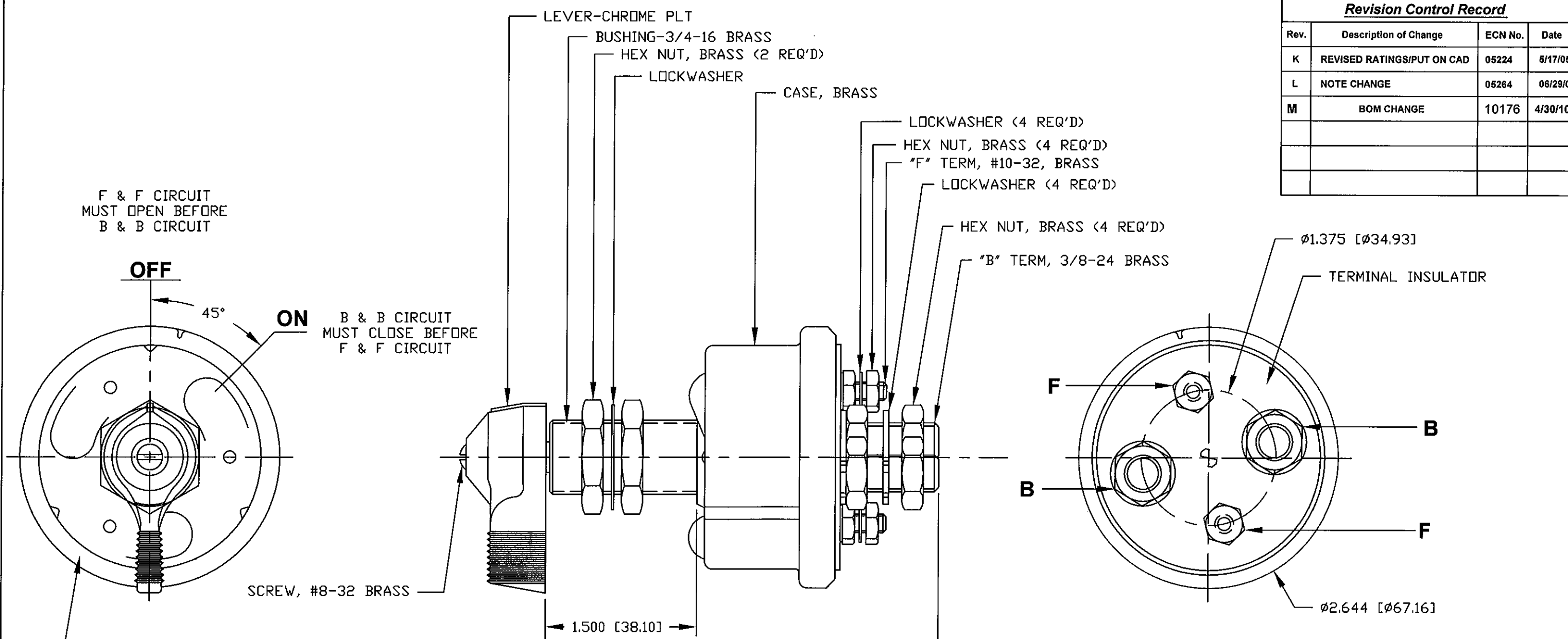
MASTER DISCONNECT SWITCH

Part No.: **M-290**

Current Rev.: **K**

Revision Control Record

Rev.	Description of Change	ECN No.	Date
K	REVISED RATINGS/PUT ON CAD	05224	5/17/05
L	NOTE CHANGE	05264	06/29/05
M	BOM CHANGE	10176	4/30/10



- NOTES:
1. "O" RING SEAL IN BUSHING
 2. ALL STEEL PARTS PLATED
 3. FOR USE WITH ALTERNATOR OR GENERATOR SYSTEM
 4. CONTINUOUS RATING: 6-12-24-36 VOLTS D.C., LARGE STUDS 175 AMPS, SMALL STUDS 20 AMPS
 INTERMITTENT RATING: 6-12-24-36 VOLTS D.C., LARGE STUDS 1000 AMPS, 15 SECONDS ON, 5 MINUTES OFF
 5. BRASS CONTACTS 75903 & M289
 SILVER CONTACTS 75904 & M290
 6. ALL DIMENSIONS REFERENCE ONLY

STAMP PART NUMBER M290-01 (L)
 RANDOM LOCATION

Tolerances Unless otherwise specifically noted, the following are default tolerances:
 * 2-place Decimal Dimensions +/- .02"
 * 3-place Decimal Dimensions +/- .005"
 * Angular Dimensions +/- 1.0 Deg.
 * Metric: Refer to equivalent English Dimension Tolerance
 >>> NOTE: All tolerances are Non-Cumulative. <<<

Dimensional Units All dimensions are expressed in inches except those shown in brackets (xxx) are expressed in millimeters

"REF." or an Asterisk (*) = Non-Toleranced Reference Dimension, shown for clarification purposes only.

Used On or Ref.: Scale: **1:1**

PROPRIETARY INFORMATION This Engineering Drawing, and the information contained herein, is proprietary to Cole Hersee Company and may not be disclosed, re-produced, or in any other way transferred or communicated to any other party without the express written consent of an authorized representative of Cole Hersee Company.

DESIGN CONTROL It is the responsibility of the individual using/referencing this drawing to assure that the noted design revision level agrees with the revision level of the Controlled Document (Master Drawing). This is a NON-CONTROLLED DOCUMENT unless otherwise specifically noted.

DO NOT SCALE - Dimensional variation may occur during printing/ reproduction.

Drawn By: **CF** Date: **6/27/69**

Special Characteristics:

CC Critical Characteristic, relating to Safety and/or Regulatory Compliance

X Significant Characteristic relating to Process Control (SPC)

KC Control Dimension relating to Form - Fit - Function as defined by Cole Hersee Company and/or the Customer

(Note that the identification of any Characteristics as being "Special" does not alter the requirement that ALL specified dimensions & tolerances must be met.)

Responsible Engineer: **NA** Pg. 1 of 1

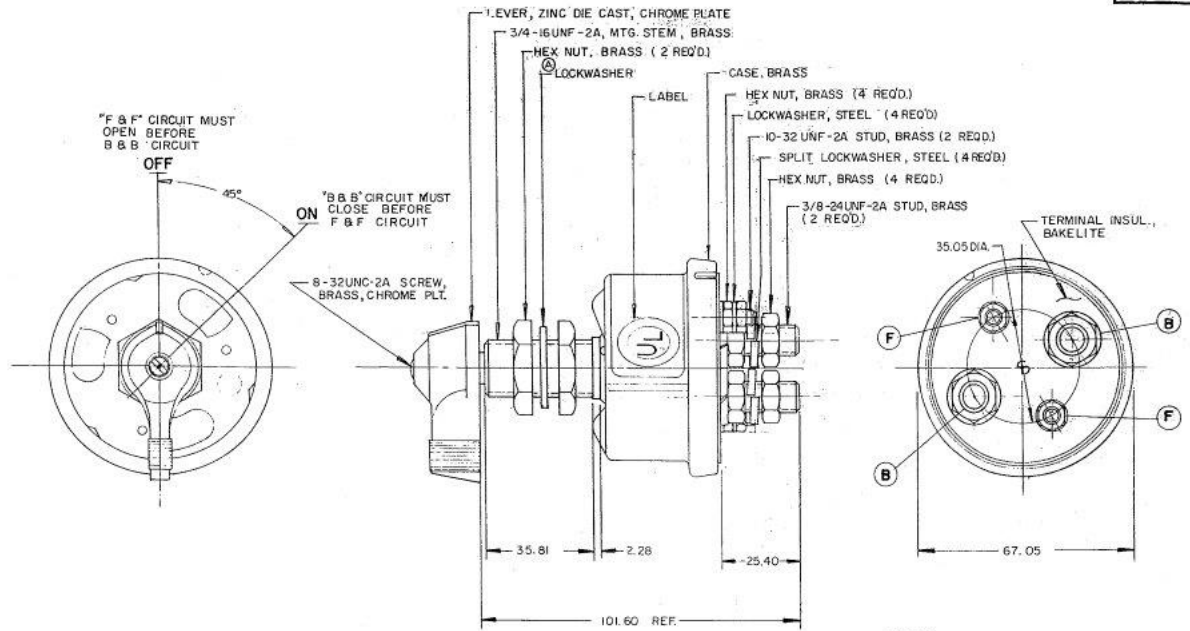
Cole Hersee Co.
 20 Old Colony Ave., South Boston, MA, 02127
 Phn: 617-268-2100 Web: www.colehersee.com

Description: **MASTER DISCONNECT SWITCH**

Drawing / Part No.: **M-290-01** Current Rev.: **M**

COLE-HERSEE CO.
NEW 8-13-79

IN
1.000
1.300
1.400
1.640
2.640
4.000



NOTE:
ALL STEEL PARTS EITHER ZINC PLATE WITH DICHROMATE DIP OR CADMIUM PLATE.

Confidential Property of Cole Hersee

FOR USE WITH ALTERNATOR OR GENERATOR SYSTEMS

DO NOT SCALE

METRIC

LET	WAS	DATE	BY	LET	WAS	DATE	BY	MATERIAL	DRAWN	CHECKED	APPROV.	SCALE	DATE DRAWN
									JAV			1:1	2-9-79
<p>COLE-HERSEE COMPANY BOSTON, MASS. 02127, U.S.A.</p>													DATE BLUEPRINT
<p>ISSUED 8-16-79</p>													M 290-05