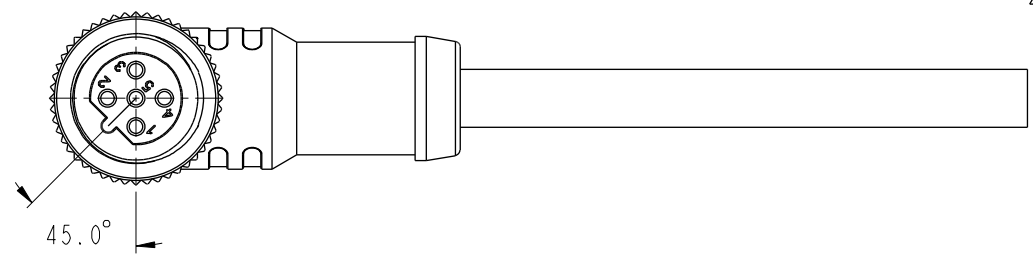
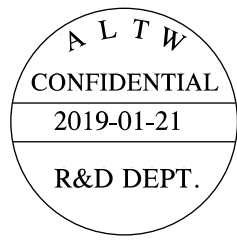
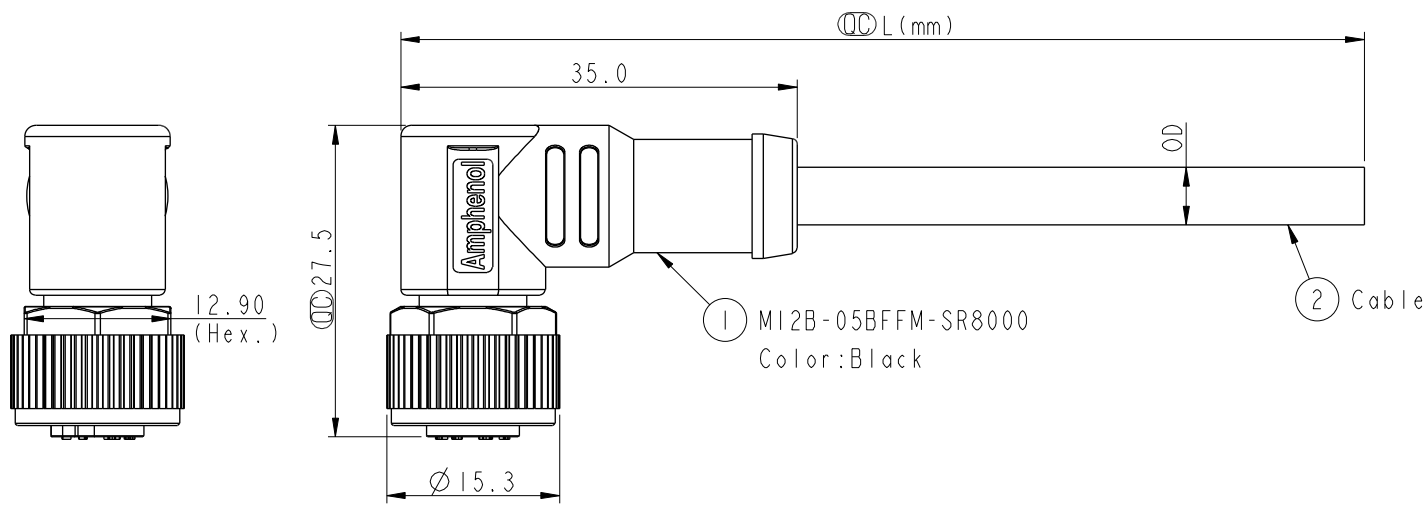


REV.	ECN NO.	DATE	SIGN	DESCRIPTION
A	Initial Release	2015-07-25	Feng_Li	Change Rev.01 To Rev.A
B	LEN1750119	2017-04-06	Lingpeng	Change The Cable OD
C		2019-01-21	Ruru	Modify The Waterproof Rating



- Notes:
- \*  $\text{CC}$  Important Dimension.
  - \*  $\triangle C$  Waterproof Rate: IP68, IP69K
  - \* Connector: PU+GF, Black.
  - \* Female Pin: Copper Alloy, Gold Plated.
  - \* Screw Nut: Zinc Alloy, Nickel Plated.
  - \* Outer Mold: PU, Black.
  - \* Cable: (A) UL2517, PVC Jacket, Yellow.  
(B) UL20549, PUR Jacket, Black.  
(D) UL2517, PVC Jacket, Black.
  - \* Rated Voltage: 60V dc. or ac.
  - \* Rated Current: 4A
  - \* Operating Temperature: -25~85°C
  - \* Cable Length Tolerance: 01M:  $\pm 40\text{mm}$   
02M~05M:  $\pm 60\text{mm}$   
06M~10M:  $\pm 100\text{mm}$   
11M~30M:  $\pm 200\text{mm}$   
31M~99M:  $\pm 500\text{mm}$

UNIT:mm		TITLE
TOLERANCE	$\pm 0.5\text{mm}$	M12 B Type Cable 90° Female Conn.
SCALE	3:2	SIZE A4
REV.	C	SHEET 1 OF 2
WC-REV.	A.2	$\text{CC}$ : Inspection item

**Amphenol LTW**  
安費諾亮泰企業股份有限公司

ITEM NO	DRAWN BY	DATE
DWG NO	Ruru	2019-01-21
CUSTOMER	CHECKED BY	DATE
ALTW	Rita	2019-01-21
	APPROVED BY	DATE
	Max	2019-01-21

THIS DOCUMENT IS SUBJECT TO CHANGE WITHOUT NOTICE. IT IS CONFIDENTIAL AND A PROPERTY OF Amphenol LTW. DISCLOSURE TO THIRD PARTY HAS TO BE AUTHORIZED BY Amphenol LTW.

THIS DOCUMENT IS SUBJECT TO CHANGE WITHOUT NOTICE. IT IS CONFIDENTIAL AND A PROPERTY OF Amphenol LTW. DISCLOSURE TO THIRD PARTY HAS TO BE AUTHORIZED BY Amphenol LTW.

6	7	8
5P	PVC	5.1 22 MI2B-05BFFM-SR8DXX
5P	PUR	4.4 22 MI2B-05BFFM-SR8BXX
5P	PVC	5.1 22 MI2B-05BFFM-SR8AXX
Contacts	Cable Jacket	Cable OD AWG Item No.



M I2B - 05 B F F M - S R 8 X XX

12B: B-Code  
 05: 5Pin  
 B: Cable Without S/R(線端無網尾)  
 F: Female Connector(母座)  
 F: Female Pin(母Pin)  
 M: Molding Type(射出成型)

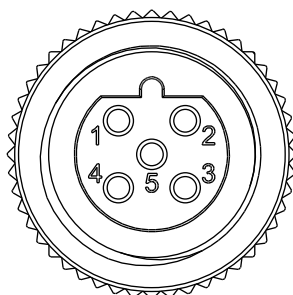
XX: 01~99Meters  
 01: 01Meter  
 02: 02Meters  
 :  
 99: 99Meters

A: PVC UL2517 Cable, Yellow(PVC黃色外被線材)  
 B: PUR UL20549 Cable, Black(PUR黑色外被線材)  
 D: PVC UL2517 Cable, Black(PVC黑色外被線材)

8: IP68/IP69K(防水等級68/69K)

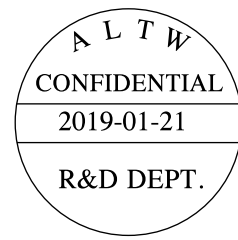
R: Right(90°線端)

S: Screw(螺紋式)



Pin Assignments  
Front View

5	Gray	灰
4	Black	黑
3	Blue	藍
2	White	白
1	Brown	棕
Conn.	Wire Color	
	Pin Out	



UNIT:mm   
 TOLERANCE  
 ±0.5mm

TITLE  
 MI2 B Type Cable 90° Female Conn.  
 SCALE 3:2 SIZE A4 SHEET 2 OF 2  
 REV. C WC-REV. A.2 : Inspection item

**Amphenol LTW**  
 安費諾亮泰企業股份有限公司

ITEM NO	DRAWN BY	DATE
DWG NO	CHECKED BY	DATE
CUSTOMER	APPROVED BY	DATE
ALTW	Ruru Rita Max	2019-01-21 2019-01-21 2019-01-21