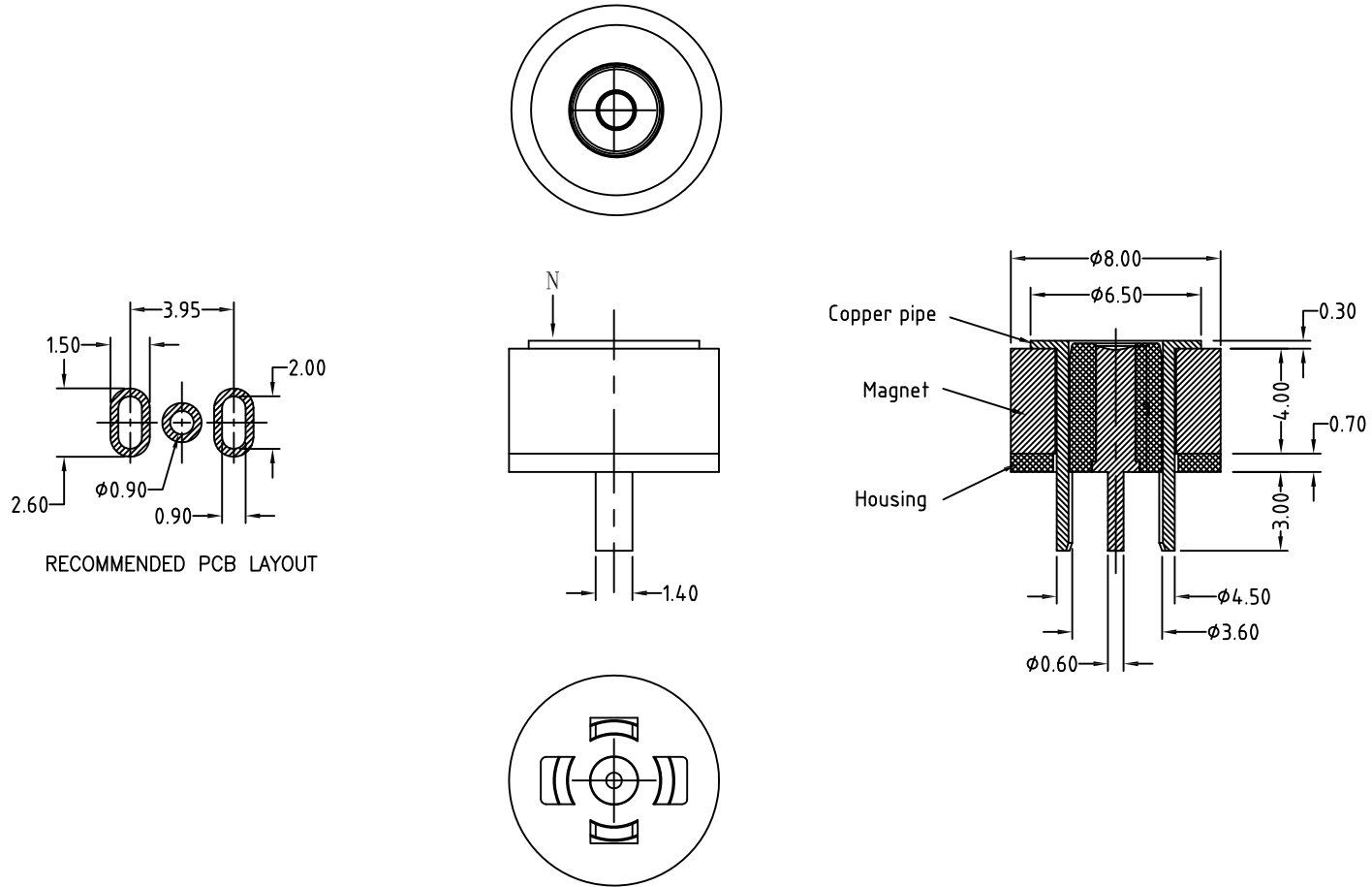


APPROVED: _____
 DATE: _____ TITLE: _____

Rev	AWO #	Description	Date	Appr
-		RELEASED	11/12/18	



RECOMMENDED PCB LAYOUT

Mating with: CA-RA2-PHR-15103-M
 CA-ST2-PHR-198-M

SPECIFICATIONS:

Material:
 Insulator: Hi-Temp Thermoplastic, rated UL 94V-0
 Insulator color: Black
 Pin: Brass, 10u" Gold plated over Nickel
 Copper pipe: Brass, Nickel plated
 Magnet: NdFeB
 Electrical:
 Rated Current & Voltage: 12VDC, 5A
 Contact resistance: 50 mohms max
 Environmental:
 Lead free, RoHS compliant.



UNLESS OTHERWISE SPECIFIED ALL DIMENSIONS ARE MILLIMETERS TOLERANCES: EXCEPT AS NOTED		ADAM TECH		909 Rahway Avenue, Union, NJ 07083	
Millimeters		INTERCONNECTS		Phone: 908-687-5000	
0~6	± 0.05			Fax: 908-687-5710	
6~30	± 0.10				
30~150	± 0.15				
ANGLE					
± 1°					
APPROVALS		DATE		TITLE	
DRAWN	HR	11/12/18		POGO PIN CHARGING DOCKING, FEMALE, STRAIGHT	
CHECKED	CK	11/12/18			
APPROVED					
SIZE	PART NO.	REV.			
X	PHR-C4777-02-FVP-800	-			
REF:	S00170C	SCALE:	NTS	SHEET 1 OF 1	