

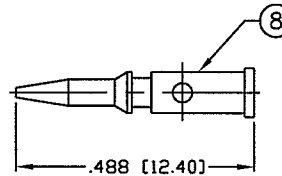
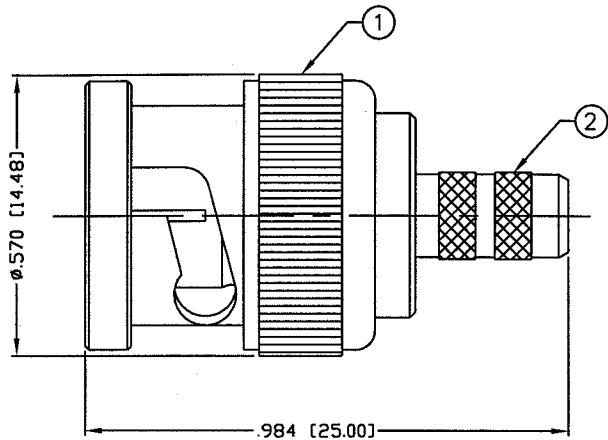
THIS DRAWING CONTAINS INFORMATION PROPRIETARY TO RF INDUSTRIES.  
 ANY UNAUTHORIZED USE OF THIS DRAWING IS EXPRESSLY PROHIBITED  
 WITHOUT WRITTEN PERMISSION FROM RF INDUSTRIES.  
 ANY VIOLATION IS PUNISHABLE UNDER U.S. COPYRIGHT LAWS.

ALL DIMENSIONS ARE REFERENCE ONLY

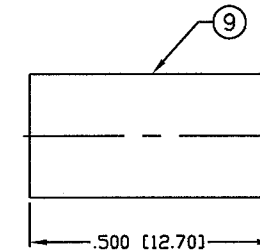
PART NO.

**RFB-1106-C1ST**

REV	DESCRIPTION	DWN	DATE	APPROVED
-	ENGINEERING RELEASE	KMM	3/4/98	JDMc
A	CHG OVERALL & STRIPPING DIMS / CHG FERRULE STUD & DWG FORMAT	CZS	7/10/01	JDMc



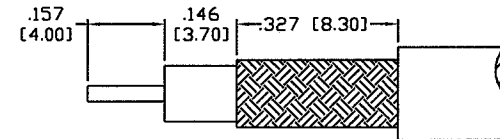
RECOMMENDED CRIMP SIZE: .068



RECOMMENDED CRIMP SIZE: .213

SPECIFICATIONS:

IMPEDANCE: 50 OHMS  
 FREQUENCY RANGE: 0-4 GHz  
 VSWR: 1.3 Max.  
 WORKING VOLTAGE: 500 V rms @ sea level  
 TEMPERATURE RANGE: -65°C TO 165°C  
 INSULATION RESISTANCE: 5k M Ohms min.  
 FOR RG-55, 55A, 55B, 142, 142A, 142B, 223 & 400/U,  
 ALPHA 9055, 9055B, 9223, BELDEN 8219, 83242, 84142, 9907



RECOMMENDED CABLE STRIPPING DIM'S

1	COUPLING NUT	1	BRASS	SILVER, 80μ"	008974	
2	BODY	1	BRASS	SILVER, 80μ"		
3	INSULATOR	1	PTFE	---		
4	GASKET	1	RUBBER	---		
5	RETAINER RING	1	BRASS	NICKEL, 100μ"		
6	SPRING	1	SK5	NICKEL, 200μ"		
7	WASHER	1	BRASS	SILVER, 80μ"		
8	PIN	1	BRASS	GOLD, 3μ"		
9	FERRULE	1	BRASS	SILVER, 80μ"		
10					DRAWN	
11					C. ZUNIGA	
12					CHECKED	
13					JDM 7-24-01	
14					ORJ DRAWN	
					K. MAXWELL	
					3/4/98	
#	DESCRIPTION	QTY	MATERIAL	FINISH	APPROVALS	DATE

UNLESS OTHERWISE SPECIFIED:  
 1. REMOVE ALL BURRS  
 2. BREAK ALL CORNERS & EDGES .005 R. MAX.  
 3. CHAMFER 1ST & LAST THREADS 45°  
 4. SURFACE ROUGHNESS 63 FINISH MIL-STD-10  
 5. DIAMETERS ON COMMON CENTERS TO BE CONCENTRIC WITHIN .002 T.I.R.  
 6. ALL DIMENSIONS ARE AFTER PLATING.

DIMENSIONS ARE IN INCHES AND [MILLIMETERS]  
 UNLESS OTHERWISE NOTED TOLERANCES ARE:  
 DECIMALS      DIAMETER  
 .xxx±.003 [.08]      .xxx±.001 [.03]  
 .xx±.005 [.13]      .xx±.003 [.08]

**RF connectors**  
 DIVISION OF RF INDUSTRIES, LTD.  
 7610 MIRAMAR RD  
 SAN DIEGO, CA 92126  
 (858) 549-6340  
 (858) 549-6345 FAX

**BNC PLUG, CRIMP**

SIZE	CABLE GROUP	DWG NO.	REV
A	C1	RFB-1106-C1ST	A
SCALE: NTS		CAD FILE OUTLINE	SHEET 1 OF 1