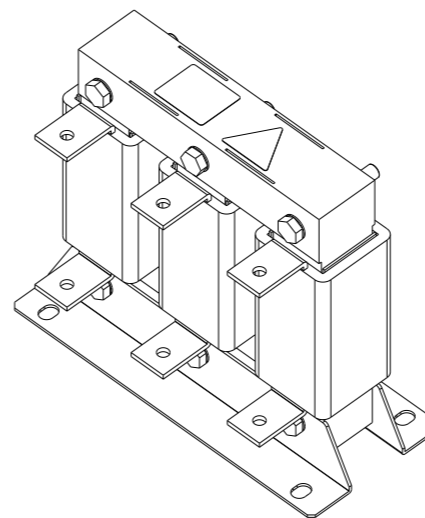
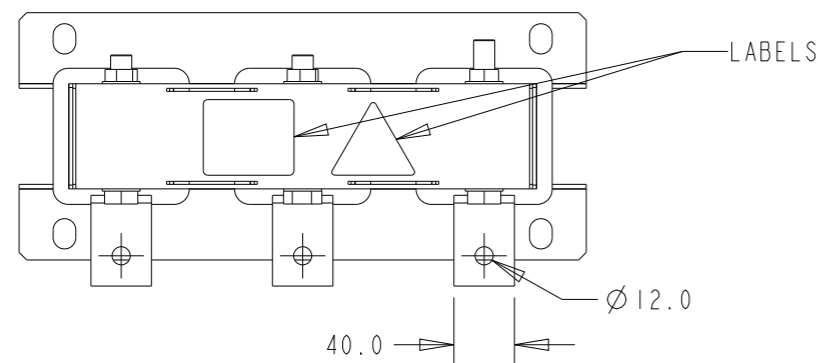


P	LTR	DESCRIPTION	DATE	DWN	APVD
	A	RELEASED FOR PRODUCTION	10FEB2023	DM	CB
	AI	ADDING PRODUCT DATA	07MAR2023	DM	CB

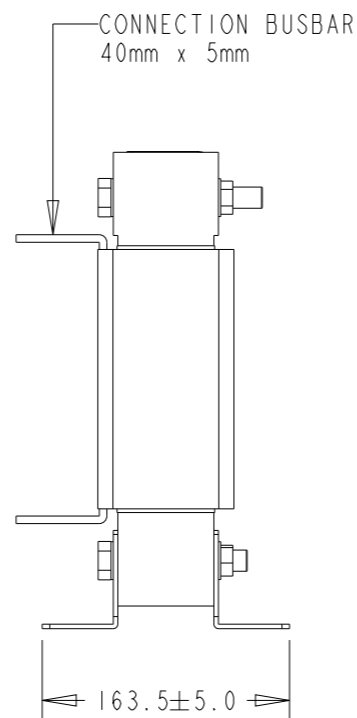
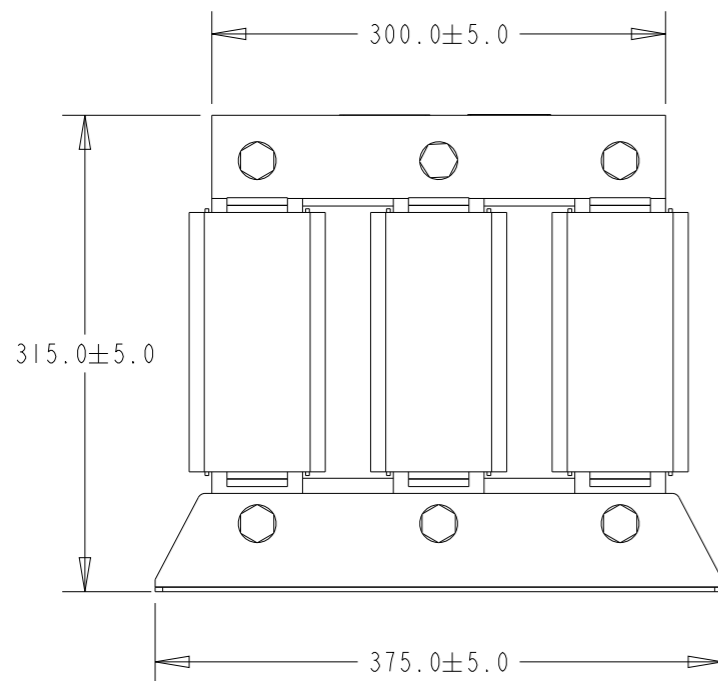
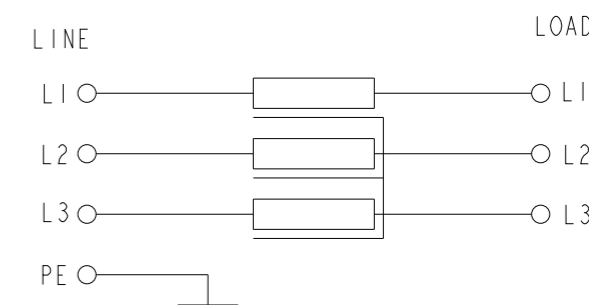


NOMINAL OPERATING VOLTAGE (VAC)	3x 380 to 480
RATED OPERATING VOLTAGE (VAC)	3x 340 to 530
FREQUENCY (Hz)	50 / 60
RATED CURRENT (AMPS)	300.00
OP. TEMP. RANGE @ RATED CURRENT	-45°C to +45°C
RATED POWER @ 400VAC (kW)	187.06
RATED POWER @ 400VAC (HP)	250.75
IMPEDANCE @ 400VAC (%)	4
INDUCTANCE, NOMINAL (mH)	0.100
POWER OVERLOAD, 1 MINUTE EVERY HOUR	1.6
VOLTAGE WITHSTAND 1 MINUTE (kVAC)	2
POLLUTION DEGREE	PD2
COOLING	NATURAL
PROTECTION CLASS	IP00
INSULATION CLASS	N
STORAGE TEMPERATURE RANGE (°C)	-45°C to +100°C
CLIMATIC CATEGORY	45/100/21
DESIGN CORRESPONDING TO	EN61558-2-20, EN60076-6, UL61800-5-1

SAFETY ORGANIZATIONS

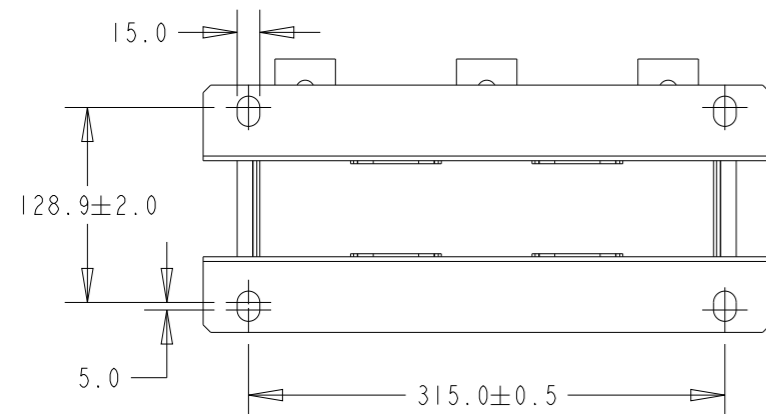
UL RECOGNIZED AS PER UL 508 HARDWARE CERTIFICATION

TYPICAL CIRCUIT DIAGRAM



DE-RATING FORMULAE FOR OPERATION ABOVE 45°C AMBIENT CONDITIONS:

$$I = I_n \sqrt{\frac{100 - T_a \text{ new}}{100 - 45}}$$



RoHS COMPLIANT

THIS DRAWING IS A CONTROLLED DOCUMENT.		DWN	C. BOLLE	07OCT2022		TE Connectivity			
DIMENSIONS: mm		CHK	C. BOLLE	07OCT2022		NAME			
		APVD	L. RAJ	07OCT2022		RPO-3-300 THREE LINE REACTOR			
TOLERANCES UNLESS OTHERWISE SPECIFIED:		PRODUCT SPEC		APPLICATION SPEC		SIZE	CAGE CODE	DRAWING NO	RESTRICTED TO
0 PLC	±-	-		-		A3	00779	4-2432409-6	-
1 PLC	±0.1	-		-		SCALE		SHEET	OF
2 PLC	±0.01	-		-		1:5		1	1
3 PLC	±0.001	-		-		CUSTOMER DRAWING		REV	AI
4 PLC	±0.0001	-		-		SCALE		SHEET	OF
ANGLES	±-	-		-		1:5		1	1
MATERIAL	FINISH	-		-		CUSTOMER DRAWING		SCALE	SHEET
-	-	-		-		1:5		1	1
-	-	-		-		CUSTOMER DRAWING		SCALE	SHEET
		-		-		1:5		1	1