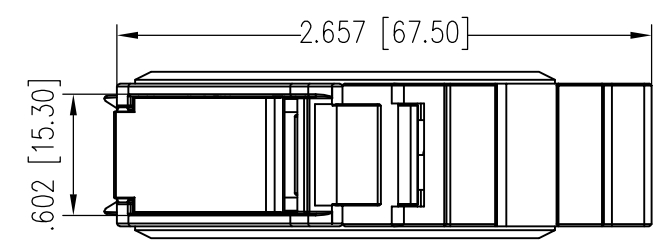
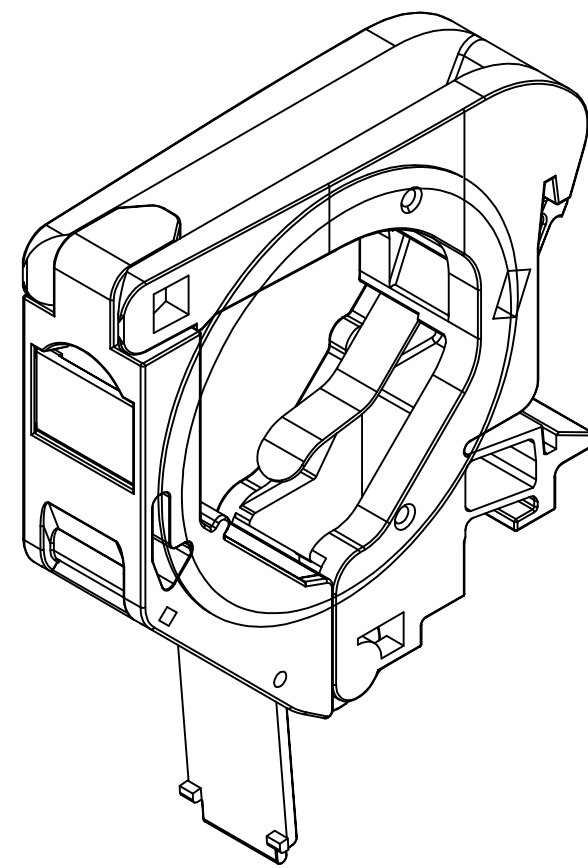
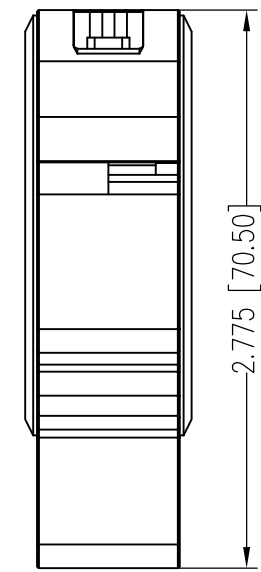
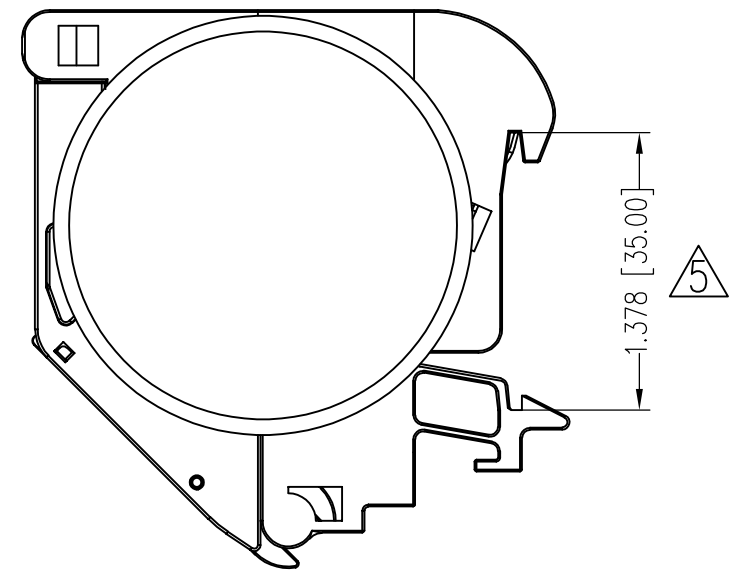
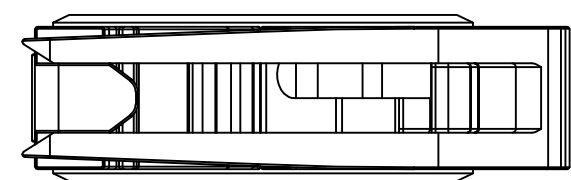
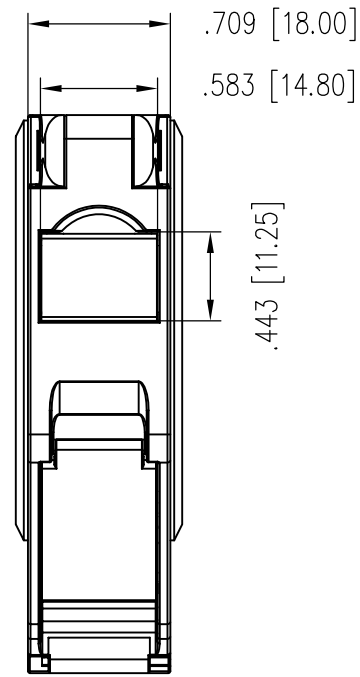


DATE	REV	ECN	APP'D. BY
07/02/20	A0	-	JME



- NOTES:
- CONNECTOR MATERIALS:  
HOUSINGS: THERMOPLASTICS UL94 V-0  
SPRING: STAINLESS STEEL
  - FOR INDUSTRIAL NETWORK APPLICATIONS  
RECOMMENDED BEL JACKS
  - FITS MOST JACKS 17 MM WIDE OR LESS
  - FOR USE WITH STANDARD 35 MM WIDTH DIN RAILS

SS-82200-001
PART NUMBER

3	PART NUMBER	DESCRIPTION
1	SS-82000-005	MOD JACK KEYSTONE CAT 5E UNSHIELDED
2	SS-82100-005	MOD JACK KEYSTONE CAT 5E SHIELDED
3	SS-82010-002	MOD JACK KEYSTONE CAT 6 UNSHIELDED
4	SS-82110-002	MOD JACK KEYSTONE CAT 6 SHIELDED
5	SS-82120-001	MOD JACK KEYSTONE CAT 6A SHIELDED



THIRD ANGLE PROJECTION 	 stewart CONNECTOR a bel group	1118 Susquehanna Trail South Glen Rock, PA 17327-9199 (717) 235-7512 <a href="http://www.stewartconnector.com">http://www.stewartconnector.com</a>
DO NOT SCALE DRAWING DRAWING IS SUBJECT TO CHANGE WITHOUT NOTICE	TITLE: DIN RAIL MODULE (35 MM)	
DIMENSIONS: INCHES [METRIC] UNLESS OTHERWISE SPECIFIED TOLERANCES ARE ±.005 [0.13] ANGLES ARE ± 1°	THIS DRAWING AND THE SUBJECT MATTER SHOWN THEREON ARE CONFIDENTIAL AND THE PROPRIETARY PROPERTY OF STEWART CONNECTOR AND SHALL NOT BE REPRODUCED, COPIED, OR USED IN ANY MANNER WITHOUT PRIOR WRITTEN CONSENT OF STEWART CONNECTOR. ONE OR MORE U.S. PATENTS MAY APPLY TO THIS PRODUCT. FOR DETAILS, PLEASE VISIT: <a href="http://BELFUSE.COM/STEWART/STEWART_PATENTS/">HTTP://BELFUSE.COM/STEWART/STEWART_PATENTS/</a>	DRN BY: BTS DATE 07/02/20 APPD BY: JME DATE 07/02/20 DWG NO. CT820035 REV. A0
SHEET NO. 1 OF 1		