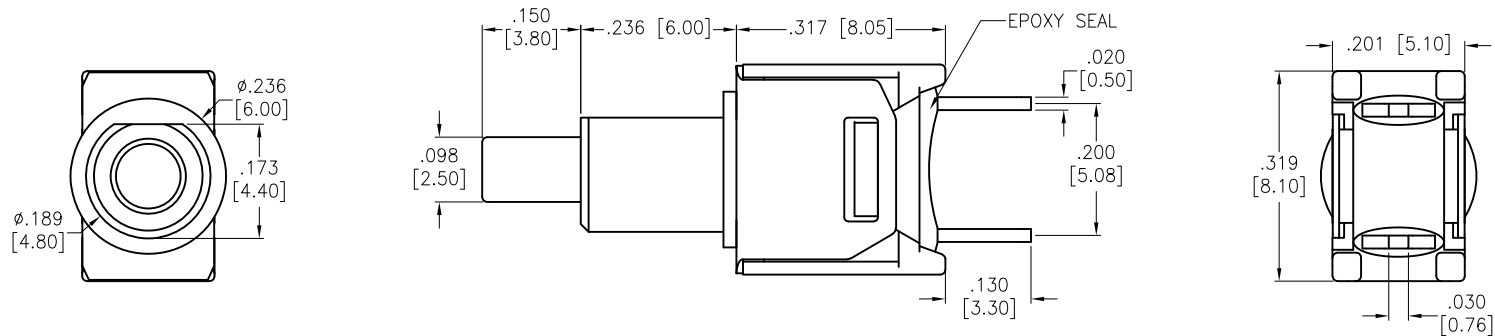


APPROVED: _____
 DATE: _____ TITLE: _____

Rev	AWO #	Description	Date	Appr
-		RELEASED	3/9/21	
A		UPDATE SPEC.	6/21/21	WX/RC



SPECIFICATIONS:

Material:
 Movable Contact: Copper Alloy, Silver Plated
 Terminal: Copper Alloy, Silver Plated
 Electrical:
 Rating: 1 Amps with resistive load @ 125VAC or 28VDC
 Contact resistance: 20 mΩ max
 Insulation resistance: 1,000 Mohms min
 Dielectric withstanding voltage: 1,500V RMS @Sea level
 Temperature Rating:
 Operating temperature: -30°C to +85°C
 Environmental:
 Lead free, RoHS compliant



UNLESS OTHERWISE SPECIFIED ALL DIMENSIONS ARE INCHES [MM] TOLERANCES: EXCEPT AS NOTED INCHES HOLES .X ± .10 Ø.X ± .10 .XX ± .020 Ø.XX ± .015 .XXX ± .015 Ø.XXX ± .010		ADAM TECH 909 Rahway Avenue, Union, NJ 07083 Phone: 908-687-5000 Fax: 908-687-5710	
APPROVALS DRAWN WX 3/9/21 CHECKED AC 3/9/21 APPROVED		DATE DATE DATE	
TITLE SUB-MINIATURE PUSHBUTTON SWITCH, OFF-MOMENTARY, SPST, SILVER PLATED, PCB TYPE		SIZE X PART NO. SW-PB9-BB00BQE-5 REV. A	
REF: S00198T		SCALE: NTS SHEET 1 OF 1	