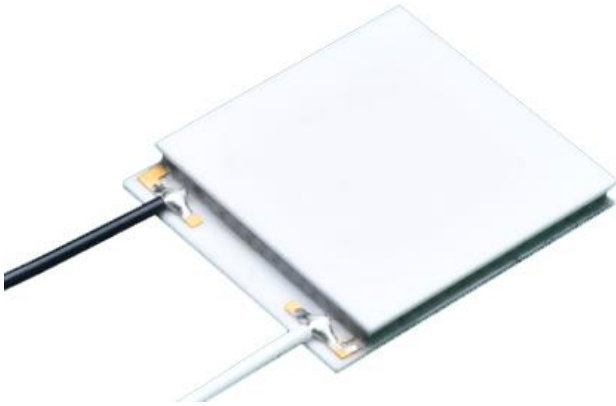




# Technical Data Sheet for XLT2419

## Single-Stage Thermoelectric Module



### NOMINAL PERFORMANCE IN NITROGEN

Hot Side Temperature (°C)	27	50
$\Delta T_{max}$ (°C):	56.5	64.0
Qmax (watts):	72	79
I <sub>max</sub> (amps):	13.9	13.8
V <sub>max</sub> (vdc):	8.0	8.8
AC Resistance (ohms):	0.47	---

### PRODUCT FEATURES

- RoHS EU Compliant
- Rated operating temperature of 125°C.
- Ceramic Material: Aluminum Oxide
- Designed for temperature cycling applications.
- Capable of rapid heating and cooling rates.
- Porch configuration for high strength leadwire connection.
- Superior nickel diffusion barriers on elements.
- High strength for rugged environment.
- RTV sealing option available.
- Lapped for multiple module applications.
- Diced option for further mechanical stress relief.
- Set of modules ACR matched available.

### ORDERING OPTIONS

Model Number	Description
XLT2419-03AC	Leadwires
XLT2419-04AC	No Leadwires
XLT2419-05AC	Leadwires, Diced
XLT2419-07AC	Leadwires, Sealed
XLT2419-08AC	Leadwires 8 inches long
XLT2419-09AC	Leadwires, Diced, Conformal Parylene Coating
XLT2419-16AC	Leadwires, Braided, ACR and Height Matched Set of 6
XLT2419-26AC	Leadwires, Sealed, Leadwire Sealed, ACR and Height Matched Set of 6

### OPERATION CAUTIONS

For maximum reliability, storage and operation below 125°C in a non-condensing environment is recommended. To minimize thermal stress, use linear/proportional temperature control or a similar method rather than an ON/OFF method.

### INSTALLATION

Recommended mounting method: Clamp with uniform pressure to a flat surface with thermal interface material. For additional information, please refer to our TEC Installation Guide.

II-VI Marlow – Dallas, TX USA  
214-340-4900  
877-627-5691  
marlow.sales@ii-vi.com

Marlow Industries Europe  
GmbH - Germany  
+49 (0) 6150 5439 - 403  
info@marlow-europe.eu

II-VI Japan Inc.  
81 43 297 2693 (tel)  
center@ii-vi.co.jp  
www.ii-vi.co.jp

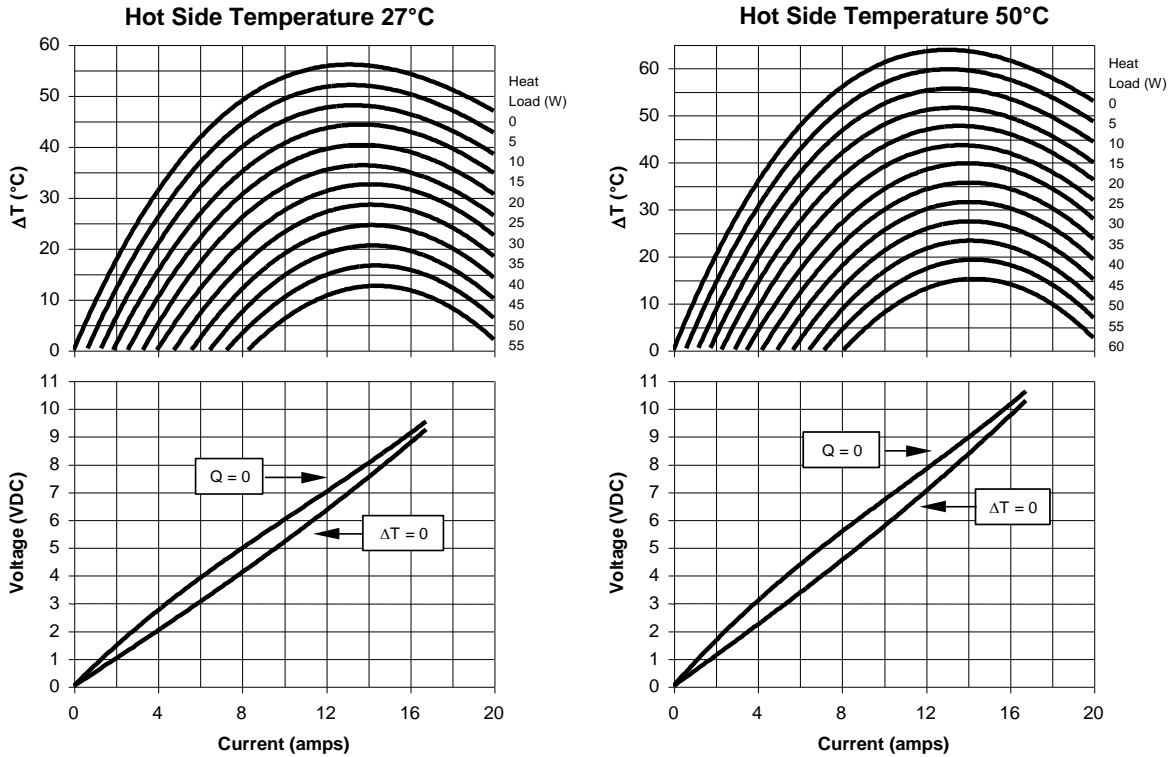
II-VI Singapore Pte., Ltd.  
(65) 6481 8215 (tel)  
info@ii-vi.com.sg

Marlow Industries China, II-VI  
Technologies Beijing  
86-10-643 98226  
info@iivibj.com



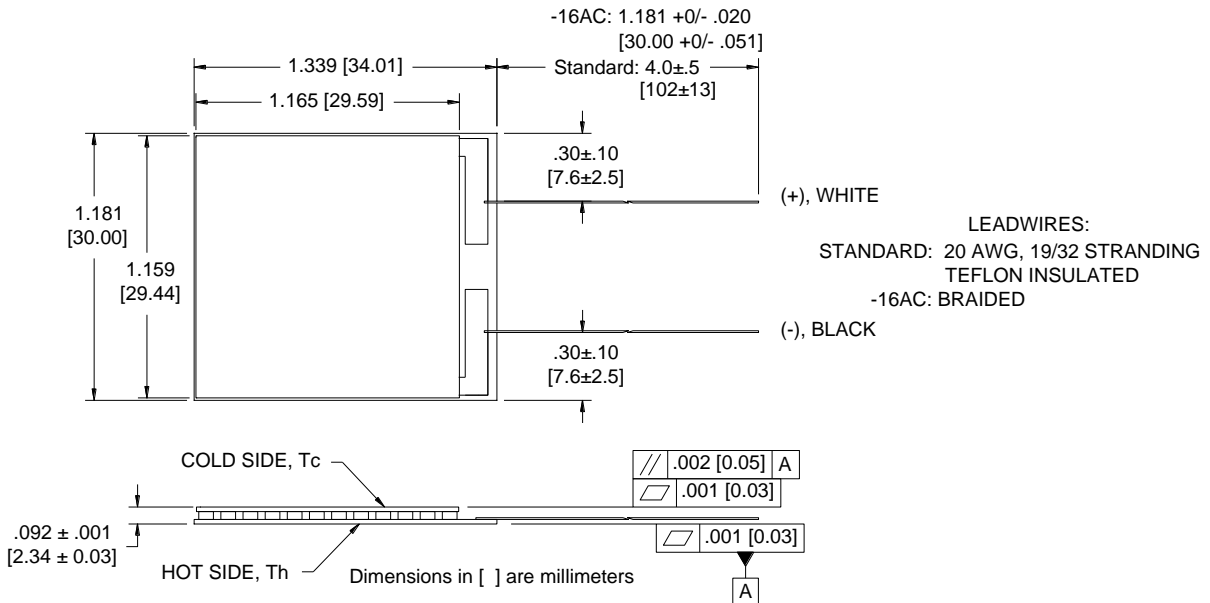
TYPICAL PERFORMANCE CURVES

ENVIRONMENT: ONE ATMOSPHERE DRY NITROGEN



For performance information in a vacuum or with hot side temperatures other than 27°C or 50°C, contact one of our Applications Engineers at 877-627-5691.

MECHANICAL CHARACTERISTICS



For customer support or general questions please contact a local office or visit our website at [www.marlow.com](http://www.marlow.com).  
 Marlow reserves the right to make product changes without notice.