



Product Change Notification (PCN)

PCN Number	500488	Date Issued	May 20, 2016
Product Family	Please refer to the full part list attachment for details.		
Series	Please refer to the full part list attachment for details.		
Reason for Change	Change to Product		
Change Type Description	This letter is to inform you that changes are being made to the part(s) identified in this Notice. The change will affect the fit, form, function or the appearance of the parts. The pictures below show an example of the possible differences.		
Assessment of Change	Test report/Specification Test Report		
Internal Molex Qualification Date	March 25, 2016		
Sample Availability Date (Changed Part)	March 25, 2016		
Planned Implementation Date	August 05, 2016		
Method of Identifying Change	Factory order number		

RELEASED



Product Change Notification (PCN)

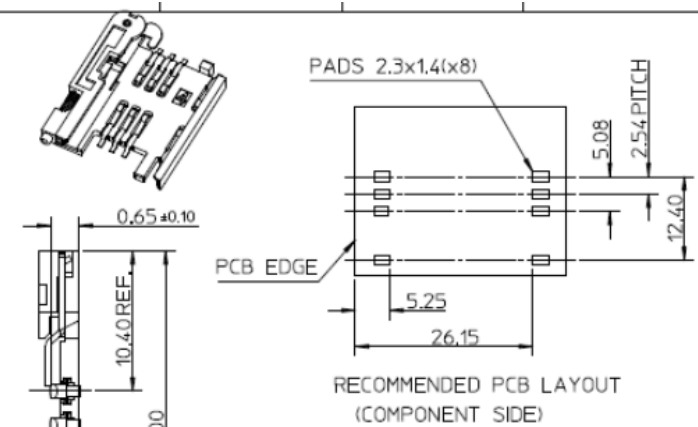
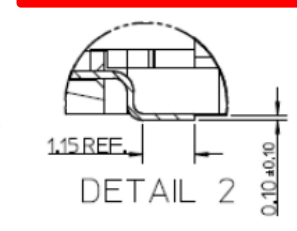
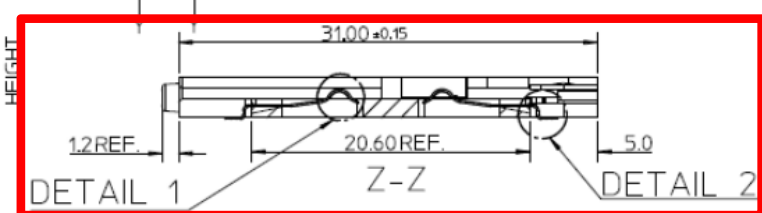
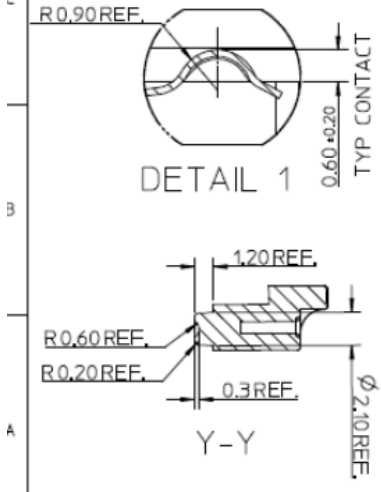
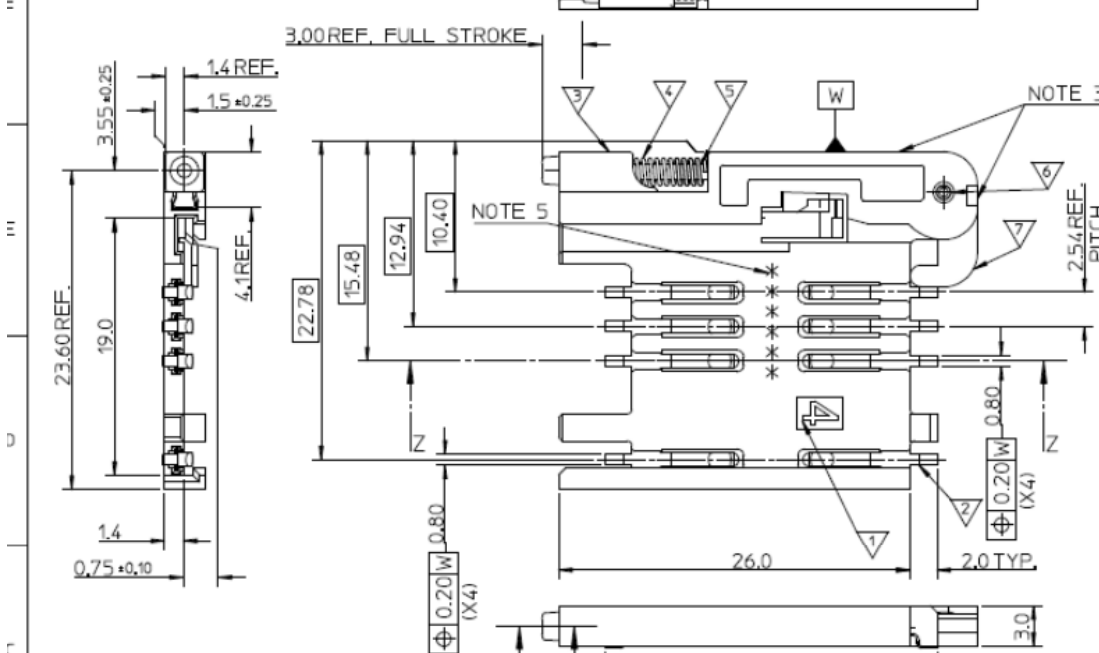
You may address any technical inquiries regarding this PCN by sending E-mail to pcn_coordinator@molex.com or your Local Sales Engineer.

Note: While responding, please retain "**PCN Notification:500488**" in the e-mail Subject line for faster response.

RELEASED

Molex, LLC
2222 Wellington Court
Lisle, IL 60532
TEL: 630-969-4747
www.molex.com

MATERIAL NUMBER	DESCRIPTION
912283001	REELED ONTO CARDBOARD REEL
912283019	REELED ONTO PLASTIC REEL

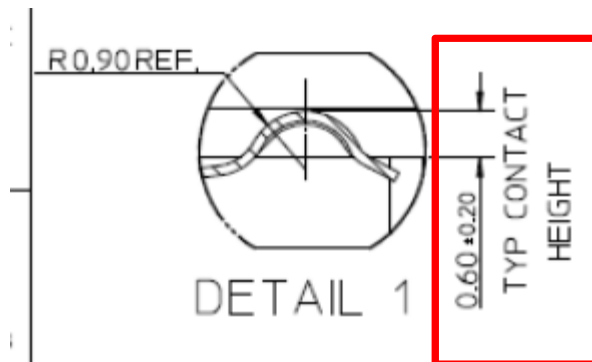
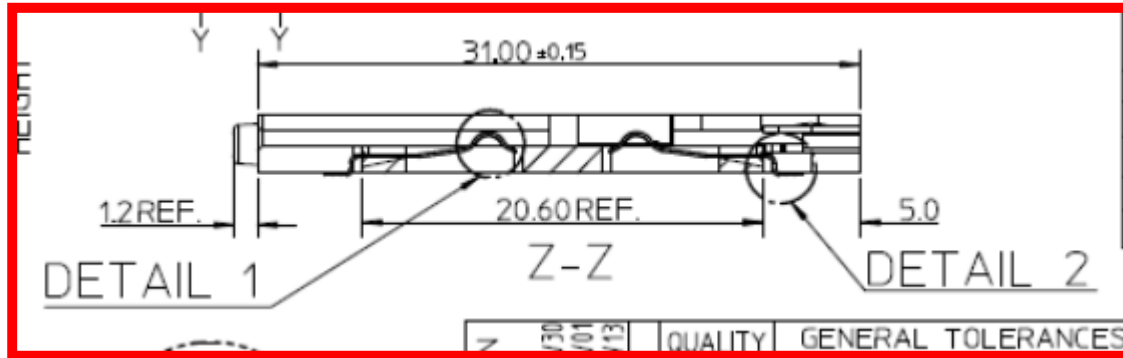


- NOTES:
- SEE PRODUCT SPECIFICATION PS-99020-0071.
 - PACKAGING: TAPE & REEL, FOR DETAIL SEE SDA-91228-9001, SHEET 1
 - PUSH ROD/LEVER MUST NOT PROTRUDE BEYOND HOUSING EDGE IN THIS AREA.
 - TAILS ON EACH SIDE OF CONNECTOR TO LIE WITHIN 0.12 mm OF EACH OTHER
 - DATECODE: (YEAR, WEEK, WEEK, DAY, HOUR, HOUR)

ITEM	COMPONENT	QTY	MATERIAL
▽	HOUSING	1	LIQUID CRYSTAL POLYMER (LCP) 30% GLASS FILL, UL94 V-0, COLOUR: BLACK
▽	TERMINAL	8	0.15 PHOSPHOR BRONZE, 0.14 μ m MIN Au OVER Pd/Ni IN CONTACT AREA 2.54 μ m MIN Sn ON SMT TAILS
▽	PUSH BUTTON	1	GF POLYAMIDE 6T/66, YELLOW
▽	COIL SPRING	1	0.25 REF THK STAINLESS STEEL
▽	PUSH ROD	1	0.4 REF THK STAINLESS STEEL
▽	C-PIN	1	STEEL
▽	LEVER	1	0.4 REF THK STAINLESS STEEL

ADDED REEL OPTION	QUALITY SYMBOLS	GENERAL TOLERANCES (UNLESS SPECIFIED)		DIMENSION STYLE	SCALE	DESIGN UNITS	THIRD ANGLE PROJECTION
		mm	INCH	MM ONLY	5:1	METRIC	
EC NO: E2072-0058	▽=0	4 PLACES	±---	DRAWN BY	DATE	TITLE	SIM CONNECTOR ASSY
DRWN:DSHEA 2011/08/30	▽=0	3 PLACES	±---	RFORREY	2006/11/27		
CHKD:SMCGREY 2011/09/01	▽=0	2 PLACES	±---	CHECKED BY	DATE		
APPR:EFOLAN 2011/10/13	▽=0	1 PLACE	±0.1	FDUGGAN	2006/11/27		
		ANGULAR ± 2 °		APPROVED BY	DATE		
		DRAFT WHERE APPLICABLE MUST REMAIN WITHIN DIMENSIONS		EFOLAN	2006/11/27		
		MATERIAL NO.		SEE TABLE		DOCUMENT NO.	
		SIZE		A3		SD-91228-001	SHEET NO. 1 OF 6

MOLEX INCORPORATED
THIS DRAWING CONTAINS INFORMATION THAT IS PROPRIETARY TO MOLEX INCORPORATED AND SHOULD NOT BE USED WITHOUT WRITTEN PERMISSION



Old Contact Height Specification = $0.60 \pm 0.20 \text{ mm}$

New Contact Height Specification = $0.60 + 0.25 / - 0.20 \text{ mm}$