

## Distributor - SAC-ASI-J-Y-B-PUR-1,0-FR SCO - 1407577


Please be informed that the data shown in this PDF Document is generated from our Online Catalog. Please find the complete data in the user's documentation. Our General Terms of Use for Downloads are valid (<http://phoenixcontact.com/download>)



AS-Interface distributor with a high degree of protection, for a branch from two flat-ribbon conductors to a 1.0 m PUR round cable with angled M12-SPEEDCON socket



### Key Commercial Data

Packing unit	1 pc
GTIN	 4 046356 779975
GTIN	4046356779975

### Technical data

#### Dimensions

Length of cable	1 m
-----------------	-----

#### Ambient conditions

Degree of protection	IP65
	IP67
Ambient temperature (operation)	-25 °C ... 75 °C
	-25 °C ... 80 °C (cable, flexible installation)
	-40 °C ... 80 °C (cable, fixed installation)
Ambient temperature (storage/transport)	-25 °C ... 85 °C

#### General data

Rated current at 40°C	4 A
Rated voltage	≤ 32 V DC
Number of positions	4
Standards/regulations	M12 connector IEC 61076-2-101
Overvoltage category	II
Degree of pollution	3
Connection method	AS-i penetration technique

# Distributor - SAC-ASI-J-Y-B-PUR-1,0-FR SCO - 1407577

## Technical data

### Characteristics head 1

Head type	Load center lateral AS-i Screw locking
No. of positions (pin connector pattern)	4
Material (component)	CuSn (Contact)
	Ni/Au (Contact surface)
	PBT (Contact carriers)
	PBT (Housing)
	Stainless steel (Screw connection)
Torque	1.65 Nm (Locking screw)

### Characteristics head 2

Head type	Socket angled M12 SPEEDCON
No. of positions (pin connector pattern)	4 (5)
Color	black
Material (component)	CuSn (Contact)
	Ni/Au (Contact surface)
	TPU GF (Contact carriers)
	TPU (Grip)
	Zinc die-cast, nickel-plated (Screw connection)
Insertion/withdrawal cycles	≥ 100
Torque	0.4 Nm

### Standards and Regulations

Standard designation	M12 connector
Standards/regulations	IEC 61076-2-101

### Cable

Cable type	PUR halogen-free black
Cable type (abbreviation)	PUR
UL AWM style	20549 / 10493
Conductor cross section	4x 0.34 mm <sup>2</sup> (Signal line)
AWG signal line	22
Conductor structure signal line	42x 0.10 mm
Core diameter including insulation	1.25 mm ±0.05 mm
Wire colors	brown, white, blue, black
Overall twist	4 wires, twisted
External sheath, color	black
External cable diameter D	4.3 mm ±0.2 mm
Outer sheath, material	PUR
Material conductor insulation	PP
Conductor material	Bare Cu litz wires
Ambient temperature (operation)	-40 °C ... 80 °C (fixed routing)
	-25 °C ... 80 °C (Flexibly installed)

# Distributor - SAC-ASI-J-Y-B-PUR-1,0-FR SCO - 1407577

## Technical data

### Cable

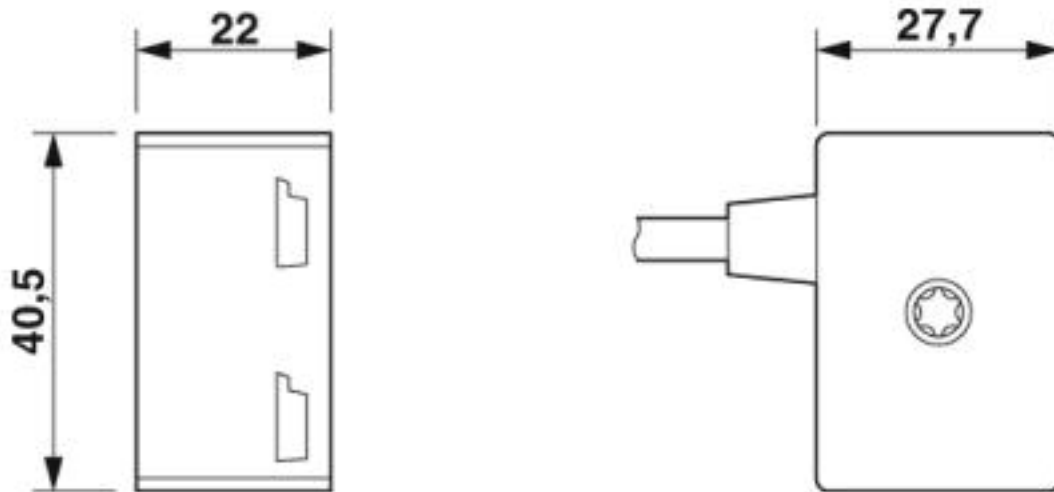
Ambient temperature (storage/transport)	-40 °C ... 85 °C
---	------------------

### Environmental Product Compliance

China RoHS	Environmentally friendly use period: unlimited = EFUP-e
	No hazardous substances above threshold values

## Drawings

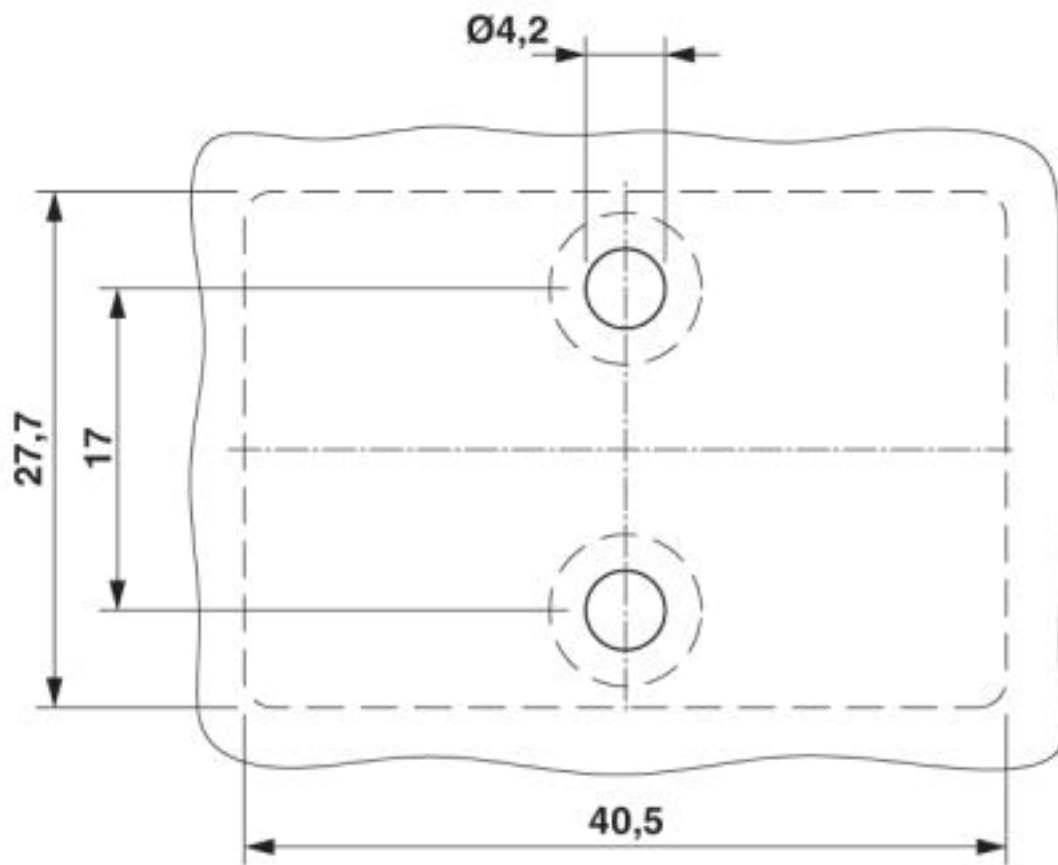
Dimensional drawing



Distributor, AS-Interface

# Distributor - SAC-ASI-J-Y-B-PUR-1,0-FR SCO - 1407577

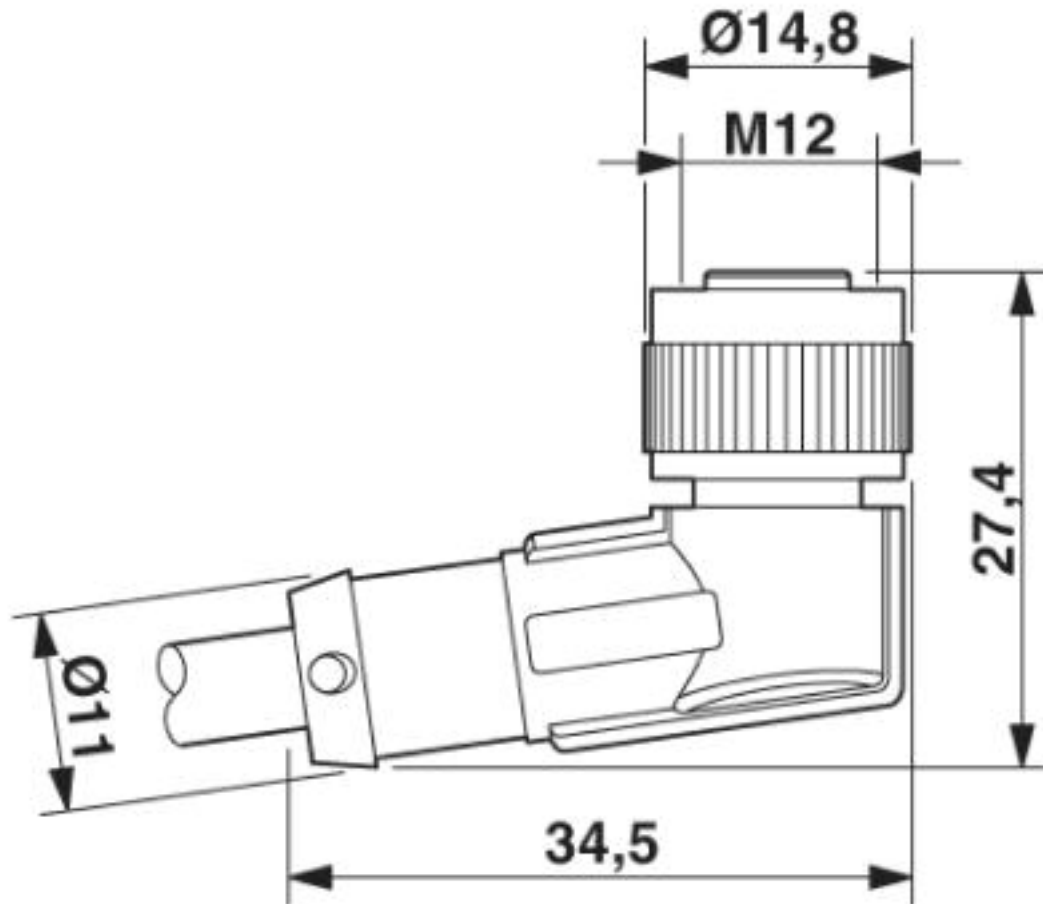
Dimensional drawing



Distance and position of the mounting holes

## Distributor - SAC-ASI-J-Y-B-PUR-1,0-FR SCO - 1407577

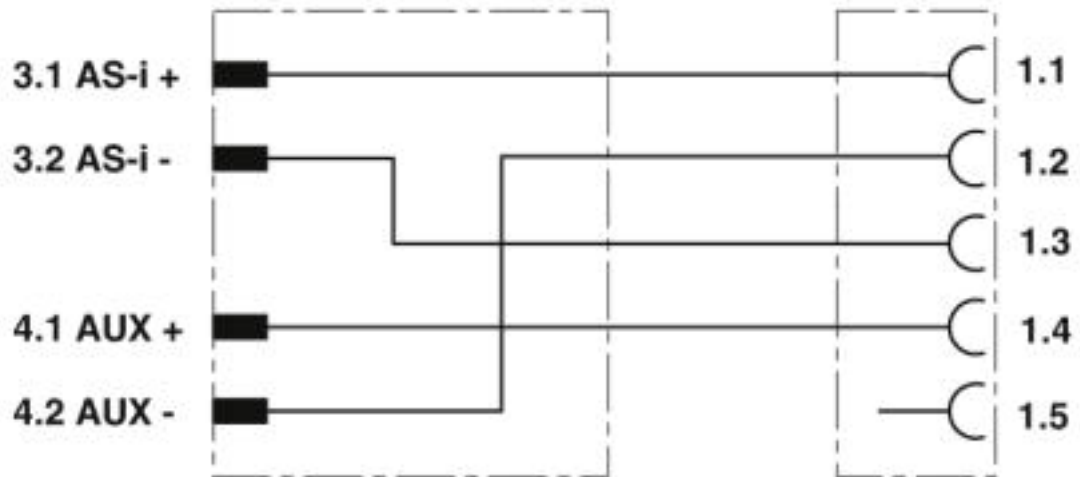
Dimensional drawing



M12 x 1 socket, angled

## Distributor - SAC-ASI-J-Y-B-PUR-1,0-FR SCO - 1407577

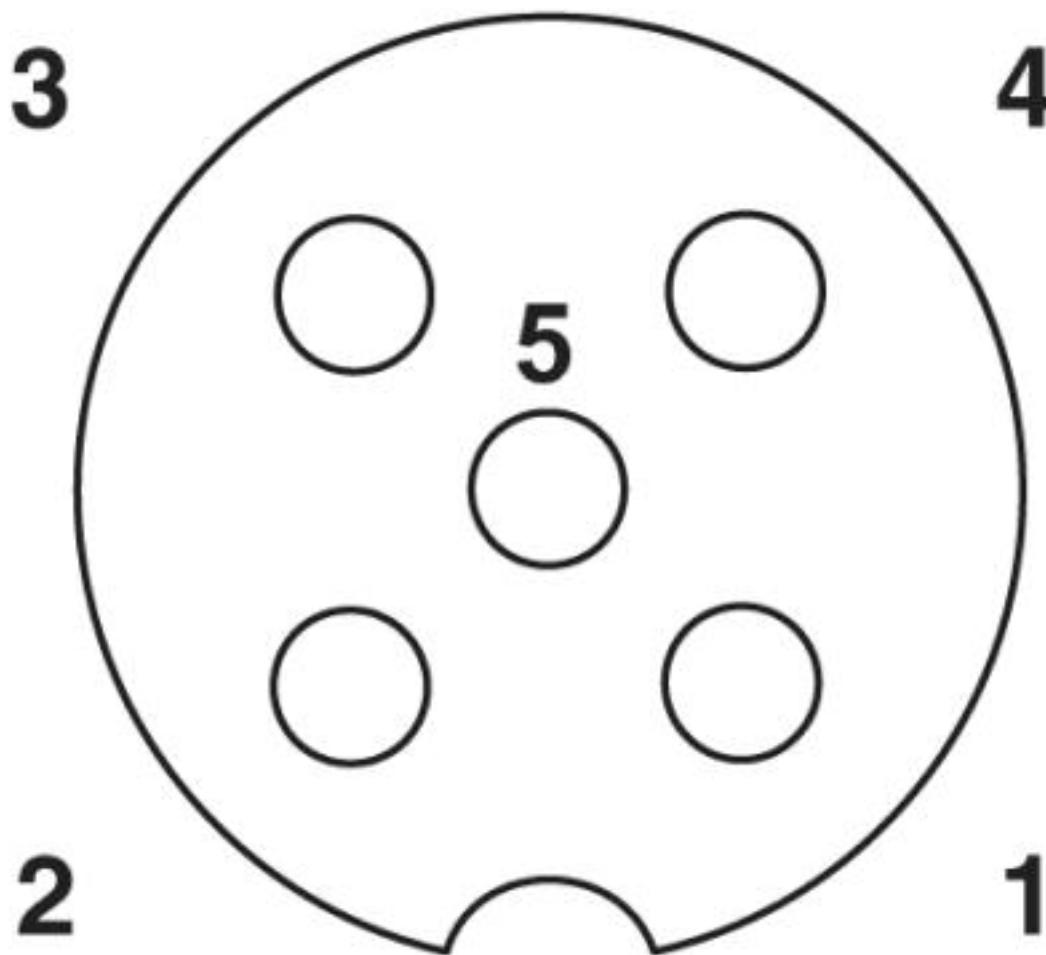
Circuit diagram



Contact assignment of the AS-Interface distributor

# Distributor - SAC-ASI-J-Y-B-PUR-1,0-FR SCO - 1407577

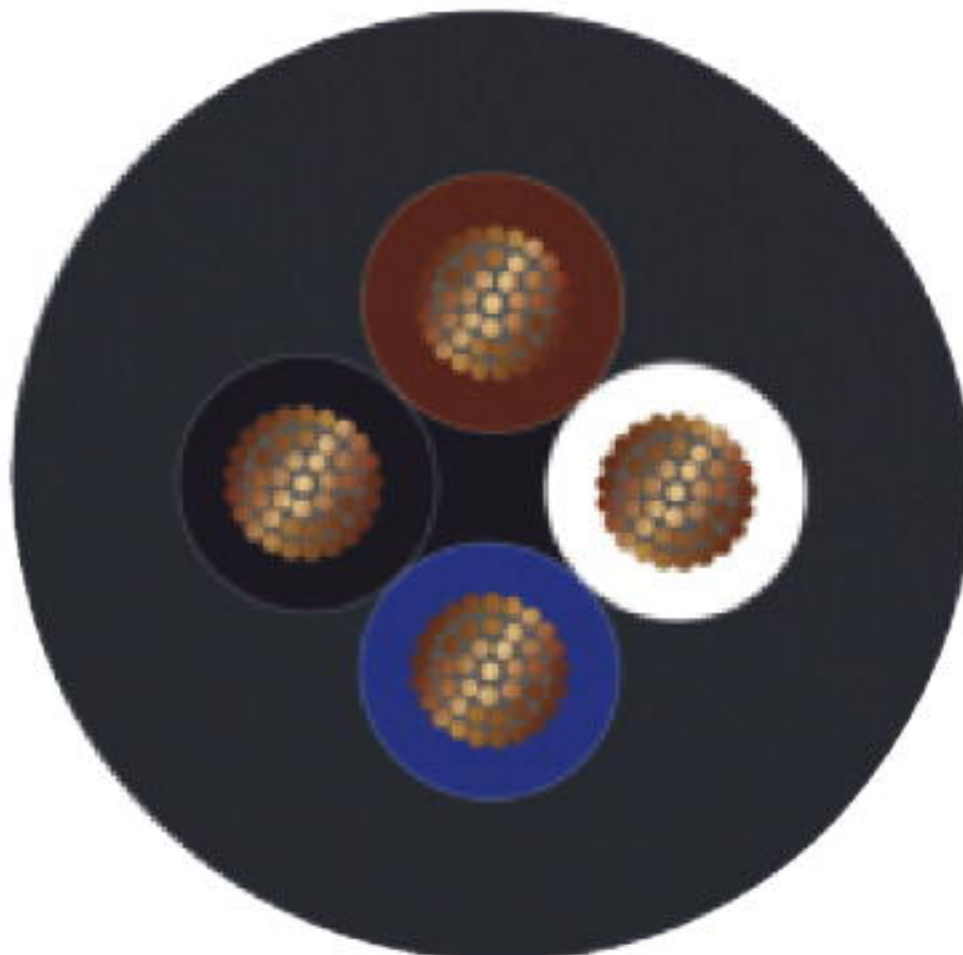
Schematic diagram



Pin assignment M12, PIN 1: AS-i +, PIN 2: AUX -, PIN 3: AS-i -, PIN 4: AUX +, PIN 5: Not used

## Distributor - SAC-ASI-J-Y-B-PUR-1,0-FR SCO - 1407577

Cable cross section



PUR halogen-free black [PUR]

---

Phoenix Contact 2019 © - all rights reserved  
<http://www.phoenixcontact.com>

PHOENIX CONTACT GmbH & Co. KG  
Flachsmarktstr. 8  
32825 Blomberg  
Germany  
Tel. +49 5235 300  
Fax +49 5235 3 41200  
<http://www.phoenixcontact.com>