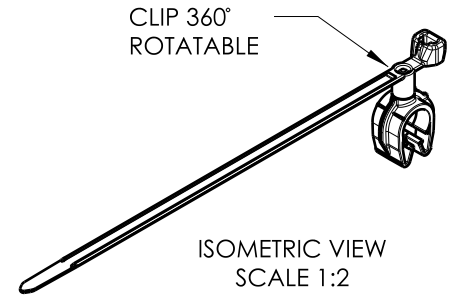
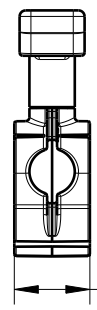
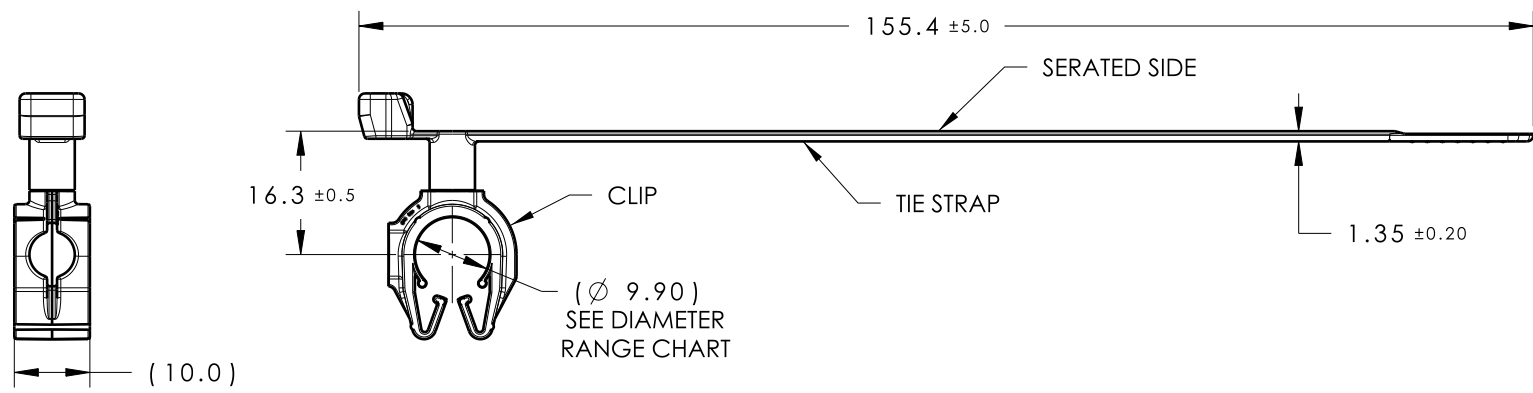
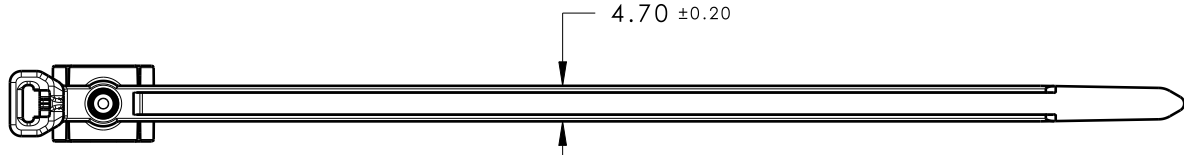


Revision Level			Revision Record	Changed	Date	Approved	Date
Drawing	State	Part					
01.1	Design Release	-	SEE ECN# 014650	TAT	9/18/18	EJH	9/18/18



TYPE	SUGGESTED DIAMETER RANGE*
HARNESS	10.0MM - 11.5MM
HOSE	9.5MM - 11.5MM
HARD PIPE/TUBE	10.0MM - 11.5MM

\*RECOMMENDED SIZES MAY DIFFER DEPENDING ON THE APPLICATION , PRODUCT REQUIREMENTS AND MATERIALS USED

\*\*PATENT PENDING 29/582,271

GLOBAL PART DESCRIPTION		BUNDLE RANGE	CABLE TIE			CLIP**		
T50SVMOC10M180-PA66HIRHSUV-BK		2 TO 35	DRAWING	MATERIAL	COLOR	DRAWING	MATERIAL	COLOR
			14-0606-011-CSU	PA66HIRHSUV	BLACK	16-0318-000-CSU	PA66HIRHSUV	BLACK
Material SEE CHART COLOR: SEE CHART	Units <b>millimeters</b>  Tolerance defined on each dimension	The copyright of this drawing is reserved by HellermannTyton. It is issued on condition that it is not reproduced, copied or disclosed to a third party, either wholly or in part, without the consent of HellermannTyton.	Drawn	TAT	5/25/18	Article/Type-No T50SVMOC10M180		Scale 1:1
			Approved	EJH	5/25/18	Title T50SVC TIE STRAP COUPLED TO 10MM MOC		Project Number 16-0318
			<b>HellermannTyton</b>			Drawing-No PRODUCTION : Phase		Format AH
			North America Email: corp@htamericas.com Web: www.hellermann.tyton.com			<b>16-0318-206-CSU</b>		Sheet 1/1