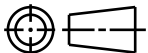
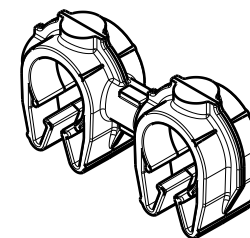
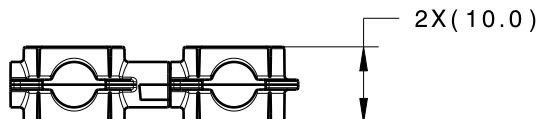


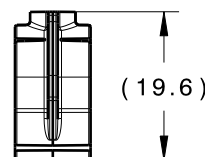
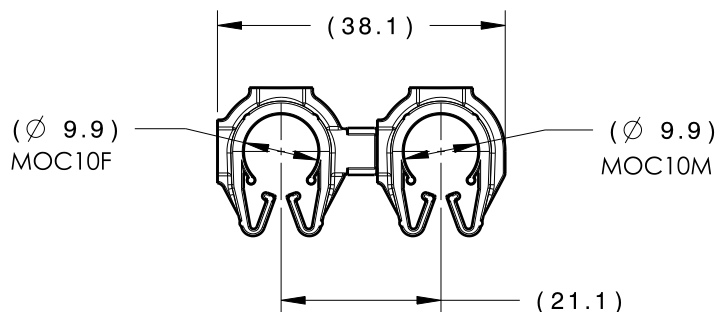
CATIA V5



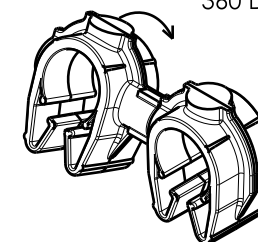
Revision Level			Revision Record	Changed	Date	Approved	Date
Drawing	State	Part					
01.2	DESIGN RELEASE		SEE ECN# 014409	FDS	04/23/18	EJH	04/23/18



ISOMETRIC VIEW



CLIPS ROTATE 360 DEGREES



ISOMETRIC VIEW ROTATED

TYPE	MOC10F	MOC10M
HARNESS	10.0MM-11.5MM	10.0MM-11.5MM
HOSE	9.5MM-11.5MM	9.5MM-11.5MM
HARD PIPE/TUBE	10.0MM-11.5MM	10.0MM-11.5MM

*RECOMMENDED SIZES MAY DIFFER DEPENDING ON THE APPLICATION, PRODUCT REQUIREMENTS AND MATERIALS USED

GLOBAL PART DESCRIPTION	MOC10F			MOC10M		
	DRAWING	MATERIAL	COLOR	DRAWING	MATERIAL	COLOR
MOC10FMOC10M-PA66HIRHS-BK	16-0318-000-CSU	PA66HIRHS	BLACK	16-0318-000-CSU	PA66HIRHS	BLACK

Material SEE CHART COLOR: SEE CHART	Units	millimeters	The copyright of this drawing is reserved by HellermannTyton. It is issued on condition that it is not reproduced, copied or disclosed to a third party, either wholly or in part, without the consent of HellermannTyton.	Drawn	TAT	2/22/17	Article/Type-No MOC10FMOC10M	Scale	1:1
	Tolerance defined on each dimension	Approved		EJH	2/28/17	Title 10MM MOC COUPLED TO A 10MM MOC		Project Number	16-0326
		 North America Email: corp@htamericas.com Web: www.hellermann.tyton.com			Drawing-No		PRODUCTION : Phase	Format	AH
					16-0326-331-CSU		Sheet	1/1	