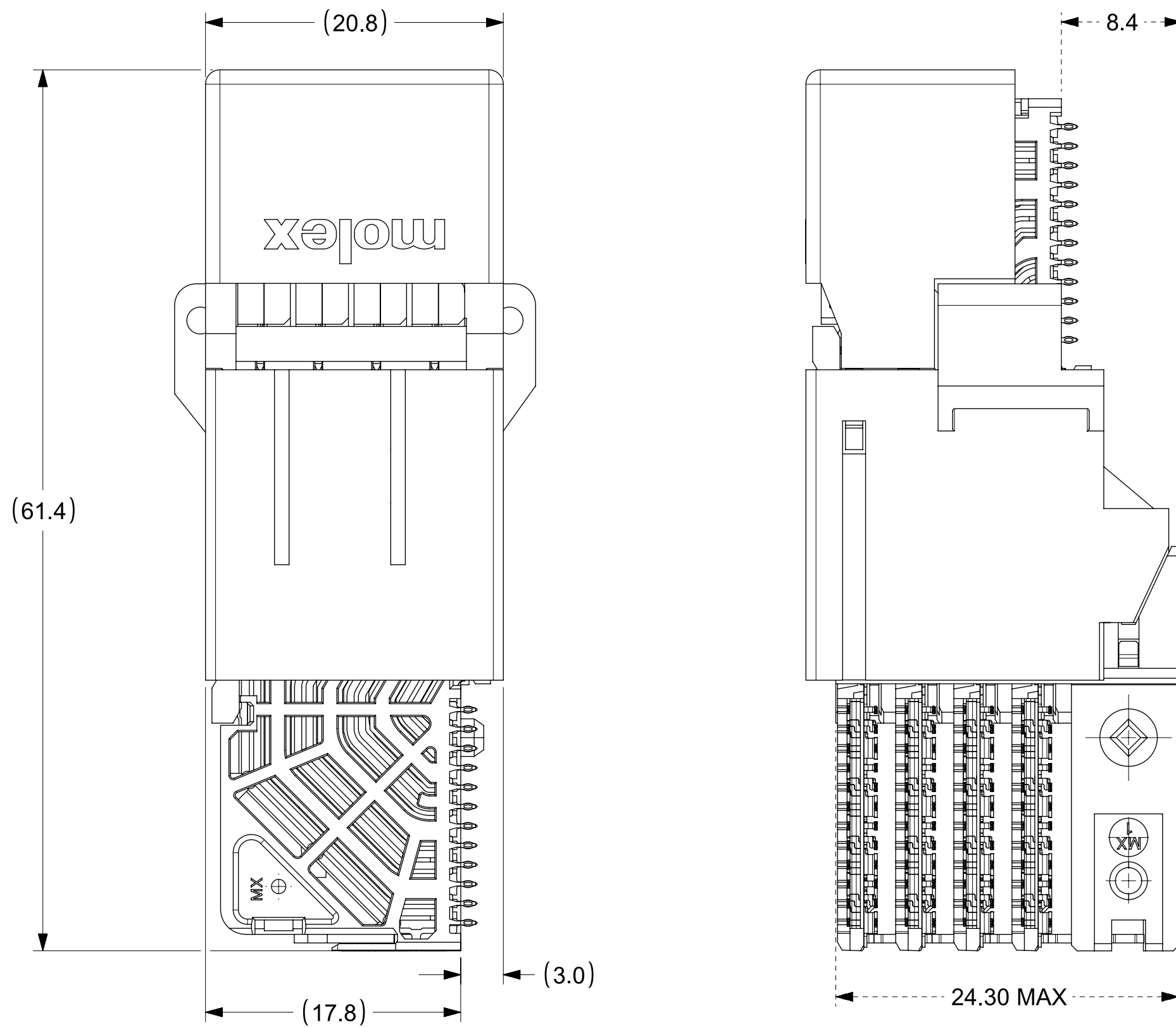


OD- RAM HOLE PATTERN (CONNECTOR SIDE)

THIS DRAWING CONTAINS INFORMATION THAT IS PROPRIETARY TO MOLEX ELECTRONIC TECHNOLOGIES, LLC AND SHOULD NOT BE USED WITHOUT WRITTEN PERMISSION													
DIMENSION UNITS	SCALE	CURRENT REV DESC: MIGRATED TO NX						molex					
mm	NTS							IMPACT ORTHOGONAL DIRECT 4 PAIR RAM 90 & 270 ASSY BOTTOM GUIDE SALES DWG					
GENERAL TOLERANCES (UNLESS SPECIFIED)		EC NO: 705090						PRODUCT CUSTOMER DRAWING					
ANGULAR TOL ± 0.5°		4 PLACES ±		3 PLACES ±		2 PLACES ± 0.13		1 PLACE ± 0.25		0 PLACES ±		INITIAL REVISION:	
DRAFT WHERE APPLICABLE MUST REMAIN WITHIN DIMENSIONS		THIRD ANGLE PROJECTION		DRAWING		SERIES		MATERIAL NUMBER		CUSTOMER		SHEET NUMBER	
DRWN: MMALLIGEVALU		2018/08/31		CHK'D: VINODM3		2022/02/17		APPR: LZENG		2022/05/13		DOCUMENT NUMBER	
DRWN: JMENDOZA		2012/10/23		APPR: JMENDOZA		2012/12/07		SD-171574-0003		PSD 001		B3	
C-SIZE		171574		SEE TABLE		GENERAL MARKET		1 OF 4					

DOCUMENT STATUS	P1	RELEASE DATE	2022/05/13	03:05:10
-----------------	----	--------------	------------	----------



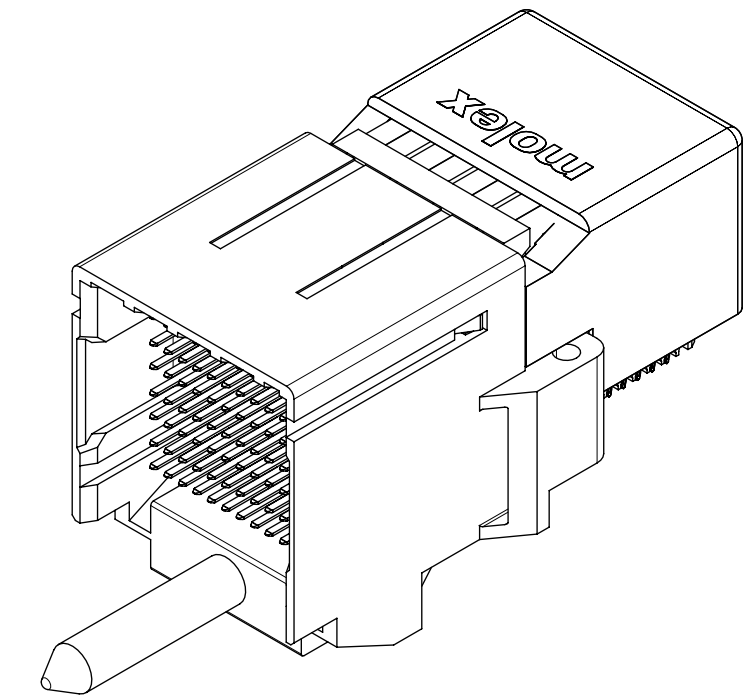
171574-98**

MODULE TYPE
9 = BOTTOM GUIDED, TIN

OF COLUMNS
8 = 8 COLUMN

PIN LENGTH (P)
4 = 4.90 (0.46 PTH)
5 = 5.50 (0.46 PTH)
7 = 4.90 (0.39 PTH)
8 = 5.50 (0.39 PTH)

MATE POSITION
0 = 90 DEGREE
3 = 270 DEGREE



MATED DIMENSIONS

(POSITION 90° SHOWN)

NOTES:

- MATERIALS: HOUSING - LIQUID CRYSTAL POLYMER (LCP)
GLASS-FILLED, UL94V-0
TERMINALS - HIGH PERFORMANCE COPPER ALLOY
- FINISH: 30μ MIN GOLD IN CONTACT AREA.
SELECTIVE TIN ON PCB TAILS.
NICKEL OVERALL.
- REFER TO MOLEX PRODUCT SPECIFICATION PS-76060-999 FOR PERFORMANCE SPECIFICATIONS AND ADDITIONAL PCB INFORMATION.
- THIS PART CONFORMS TO CLASS B REQUIREMENTS OF COSMETIC SPEC PS-45499-002.
- PACKAGE PER: PK-70873-8021.
- SEE SHEET 3 FOR ORTHOGONAL PIN MAPPING.
- REFER TO SHEET 3 AND 4 FOR THE MATING RECEPTACLES.
- REFER TO MOLEX ROUTING GUIDE AS-76850-990 FOR ADDITIONAL PCB LAYOUT AND ROUTING RECOMMENDATIONS.
- CONNECTORS ARE SUPPLIED WITH TWO 2-32 THREAD FORMING SCREWS.
- THESE DIMENSIONS REPRESENT THE AREA NEEDED TO ACCOMODATE CONNECTOR INSERTION AND REPAIR ON THE PC BOARD. THIS IS REFERED TO AS THE "CONNECTOR KEEP OUT ZONE" AND DOES NOT REPRESENT THE ACTUAL PERIMETER OF THE CONNECTOR.
- MARKING: LOCATED APPROXIMATELY AS SHOWN, ON BOTTOM OR TOP HOUSING. PART NUMBER AND DATE CODE.

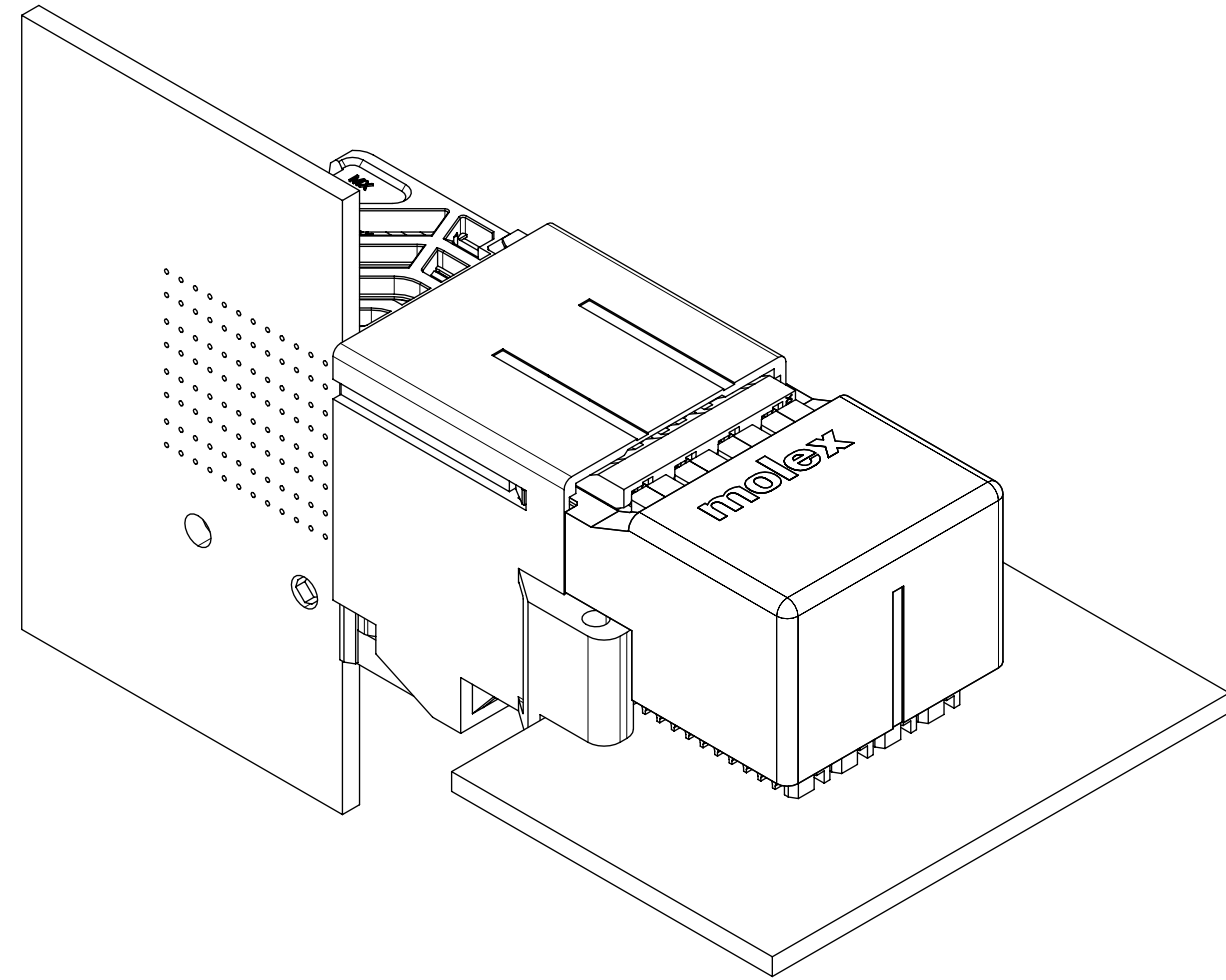
THIS DRAWING CONTAINS INFORMATION THAT IS PROPRIETARY TO MOLEX ELECTRONIC TECHNOLOGIES, LLC AND SHOULD NOT BE USED WITHOUT WRITTEN PERMISSION

DIMENSION UNITS	SCALE	CURRENT REV DESC: MIGRATED TO NX		molex		
mm	NTS			IMPACT ORTHOGONAL DIRECT 4 PAIR RAM 90 & 270 ASSY BOTTOM GUIDE SALES DWG		
GENERAL TOLERANCES (UNLESS SPECIFIED)				PRODUCT CUSTOMER DRAWING		
ANGULAR TOL	± 0.5°	EC NO: 705090	2018/08/31	DOCUMENT NUMBER		
4 PLACES	±	DRWN: MMALLIGEVALU	2022/02/17	SD-171574-0003		
3 PLACES	±	CHK'D: VINODM3	2022/05/13	DOC TYPE	DOC PART	REVISION
2 PLACES	± 0.13	APPR: LZENG		PSD	001	B3
1 PLACE	± 0.25	INITIAL REVISION:	2012/10/23	MATERIAL NUMBER		
0 PLACES	±	DRWN: JMENDOZA	2012/12/07	CUSTOMER		
DRAFT WHERE APPLICABLE MUST REMAIN WITHIN DIMENSIONS		THIRD ANGLE PROJECTION	DRAWING	SERIES	SHEET NUMBER	
			C-SIZE	171574	2 OF 4	

DOCUMENT STATUS	P1	RELEASE DATE	2022/05/13	03:05:10
12	11	10	9	8

ORTHO POSITION 90°

OD-RAM PIN A1 MAPS
TO RAF PIN M8



REFER TO MOLEX SALES DRAWING SD-76850-004
FOR MATING RECEPTACLES.

ORTHO PIN MAPPING

POSITION 90° (OD RAM - RAF)

(A1-M8)	A2-L8	(A3-J8)	A4-H8	(A5-F8)	A6-E8	(A7-C8)	A8-B8
B1-M7	B2-K8	B3-J7	B4-G8	B5-F7	B6-D8	B7-C7	B8-A8
C1-L7	(C2-K7)	C3-H7	(C4-G7)	C5-E7	(C6-D7)	C7-B7	(C8-A7)
(D1-M6)	D2-L6	(D3-J6)	D4-H6	(D5-F6)	D6-E6	(D7-C6)	D8-B6
E1-M5	E2-K6	E3-J5	E4-G6	E5-F5	E6-D6	E7-C5	E8-A6
F1-L5	(F2-K5)	F3-H5	(F4-G5)	F5-E5	(F6-D5)	F7-B5	(F8-A5)
(G1-M4)	G2-L4	(G3-J4)	G4-H4	(G5-F4)	G6-E4	(G7-C4)	G8-B4
H1-M3	H2-K4	H3-J3	H4-G4	H5-F3	H6-D4	H7-C3	H8-A4
J1-L3	(J2-K3)	J3-H3	(J4-G3)	J5-E3	(J6-D3)	J7-B3	(J8-A3)
(K1-M2)	K2-L2	(K3-J2)	K4-H2	(K5-F2)	K6-E2	(K7-C2)	K8-B2
L1-M1	L2-K2	L3-J1	L4-G2	L5-F1	L6-D2	L7-C1	L8-A2
M1-L1	(M2-K1)	M3-H1	(M4-G1)	M5-E1	(M6-D1)	M7-B1	(M8-A1)

NOTE: PINOUTS SHOWN IN BALLOONS ARE GROUNDS.
GROUND PATHS ARE NOT DISCRETE CIRCUITS.

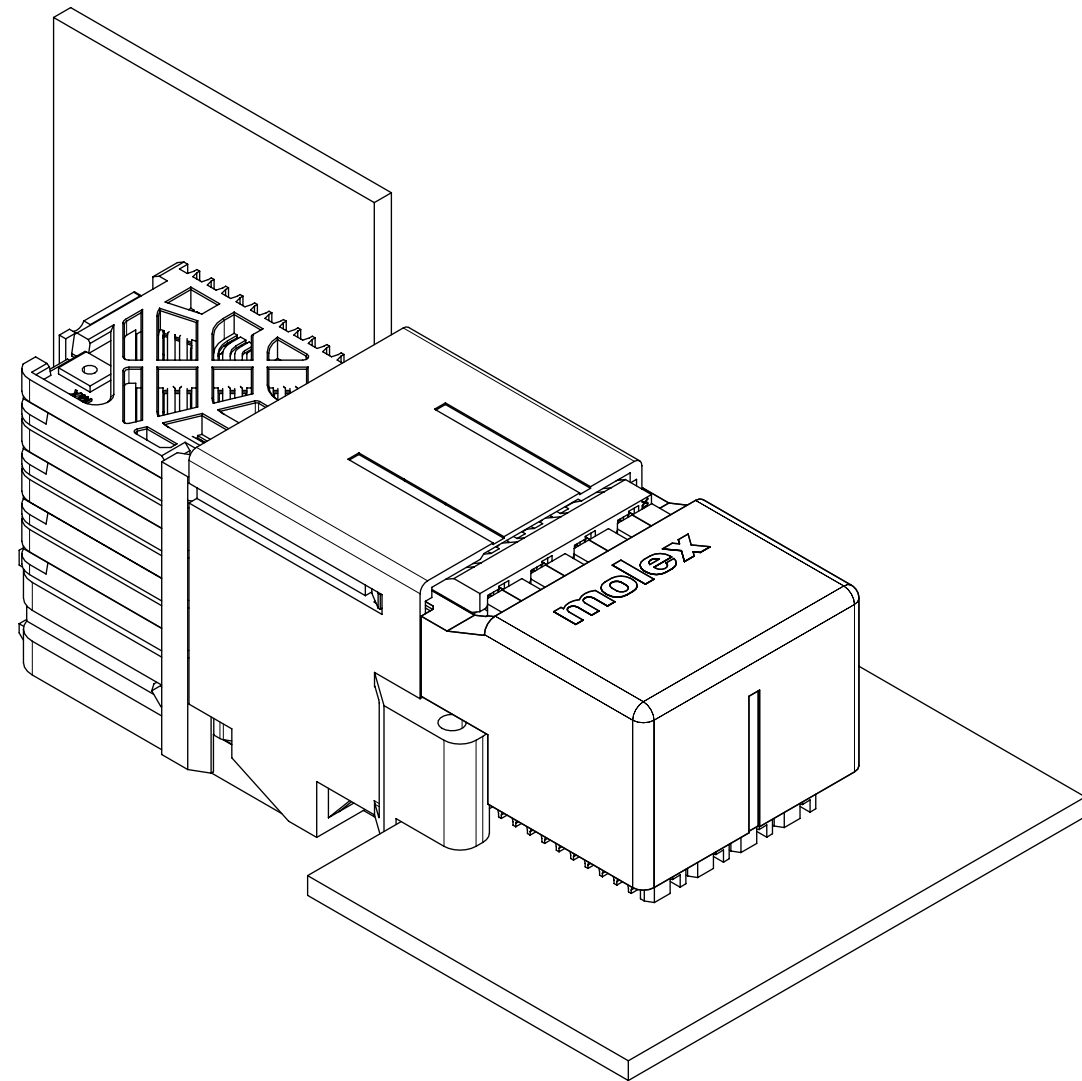
MATERIAL NUMBER	# OF COLUMNS	# OF DIFF PAIR	MATE POSITION	DIM P	PTH Ø
171574-9804	8	32	90	4.90	0.46±0.05
171574-9805	8	32	90	5.50	0.46±0.05
171574-9807	8	32	90	4.90	0.39±0.05
171574-9808	8	32	90	5.50	0.39±0.05

THIS DRAWING CONTAINS INFORMATION THAT IS PROPRIETARY TO MOLEX ELECTRONIC TECHNOLOGIES, LLC AND SHOULD NOT BE USED WITHOUT WRITTEN PERMISSION

DIMENSION UNITS	SCALE	CURRENT REV DESC: MIGRATED TO NX					
mm	NTS						
GENERAL TOLERANCES (UNLESS SPECIFIED)		EC NO: 705090		IMPACT ORTHOGONAL DIRECT 4 PAIR RAM 90 & 270 ASSY BOTTOM GUIDE SALES DWG			
ANGULAR TOL	± 0.5°	DRWN: MMALLIGEVALU	2018/08/31	PRODUCT CUSTOMER DRAWING			
4 PLACES	±	CHK'D: VINODM3	2022/02/17	DOCUMENT NUMBER			
3 PLACES	±	APPR: LZENG	2022/05/13	SD-171574-0003		DOC TYPE	
2 PLACES	± 0.13	INITIAL REVISION:		PSD	DOC PART	REVISION	
1 PLACE	± 0.25	DRWN: JMENDOZA	2012/10/23	001	001	B3	
0 PLACES	±	APPR: JMENDOZA	2012/12/07	SHEET NUMBER			
DRAFT WHERE APPLICABLE MUST REMAIN WITHIN DIMENSIONS		THIRD ANGLE PROJECTION	DRAWING	SERIES	MATERIAL NUMBER	CUSTOMER	SHEET NUMBER
			C-SIZE	171574	SEE TABLE	GENERAL MARKET	3 OF 4

ORTHO POSITION 270°

OD-RAM PIN A1 MAPS
TO RAF PIN A1



REFER TO MOLEX SALES DRAWING SD-76850-002
FOR MATING RECEPTACLES.

ORTHO PIN MAPPING


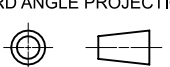
POSITION 270° (OD RAM - RAF)

A1-A1	A2-B1	A3-D1	A4-E1	A5-G1	A6-H1	A7-K1	A8-L1
B1-A2	B2-C1	B3-D2	B4-F1	B5-G2	B6-J1	B7-K2	B8-M1
C1-B2	C2-C2	C3-E2	C4-F2	C5-H2	C6-J2	C7-L2	C8-M2
D1-A3	D2-B3	D3-D3	D4-E3	D5-G3	D6-H3	D7-K3	D8-L3
E1-A4	E2-C3	E3-D4	E4-F3	E5-G4	E6-J3	E7-K4	E8-M3
F1-B4	F2-C4	F3-E4	F4-F4	F5-H4	F6-J4	F7-L4	F8-M4
G1-A5	G2-B5	G3-D5	G4-E5	G5-G5	G6-H5	G7-K5	G8-L5
H1-A6	H2-C5	H3-D6	H4-F5	H5-G6	H6-J5	H7-K6	H8-M5
J1-B6	J2-C6	J3-E6	J4-F6	J5-H6	J6-J6	J7-L6	J8-M6
K1-A7	K2-B7	K3-D7	K4-E7	K5-G7	K6-H7	K7-K7	K8-L7
L1-A8	L2-C7	L3-D8	L4-F7	L5-G8	L6-J7	L7-K8	L8-M7
M1-B8	M2-C8	M3-E8	M4-F8	M5-H8	M6-J8	M7-L8	M8-M8

NOTE: PINOUTS SHOWN IN BALLOONS ARE GROUNDS.
GROUND PATHS ARE NOT DISCRETE CIRCUITS.

MATERIAL NUMBER	# OF COLUMNS	# OF DIFF PAIR	MATE POSITION	DIM P	PTH Ø
171574-9834	8	32	270	4.90	0.46±0.05
171574-9835	8	32	270	5.50	0.46±0.05
171574-9837	8	32	270	4.90	0.39±0.05
171574-9838	8	32	270	5.50	0.39±0.05

THIS DRAWING CONTAINS INFORMATION THAT IS PROPRIETARY TO MOLEX ELECTRONIC TECHNOLOGIES, LLC AND SHOULD NOT BE USED WITHOUT WRITTEN PERMISSION

DIMENSION UNITS	SCALE	CURRENT REV DESC: MIGRATED TO NX					
mm	NTS						
GENERAL TOLERANCES (UNLESS SPECIFIED)				IMPACT ORTHOGONAL DIRECT 4 PAIR RAM 90 & 270 ASSY BOTTOM GUIDE SALES DWG			
ANGULAR TOL	± 0.5°	EC NO: 705090		PRODUCT CUSTOMER DRAWING			
4 PLACES	±	DRWN: MMALLIGEVALU		DOCUMENT NUMBER			
3 PLACES	±	CHK'D: VINODM3		SD-171574-0003			
2 PLACES	± 0.13	APPR: LZENG		DOC TYPE			
1 PLACE	± 0.25	INITIAL REVISION:		PSD			
0 PLACES	±	DRWN: JMENDOZA		DOC PART			
DRAFT WHERE APPLICABLE MUST REMAIN WITHIN DIMENSIONS		THIRD ANGLE PROJECTION		SERIES		REVISION	
				C-SIZE		B3	
		DRAWING		171574		SHEET NUMBER	
		MATERIAL NUMBER		CUSTOMER		4 OF 4	
		SEE TABLE		GENERAL MARKET			