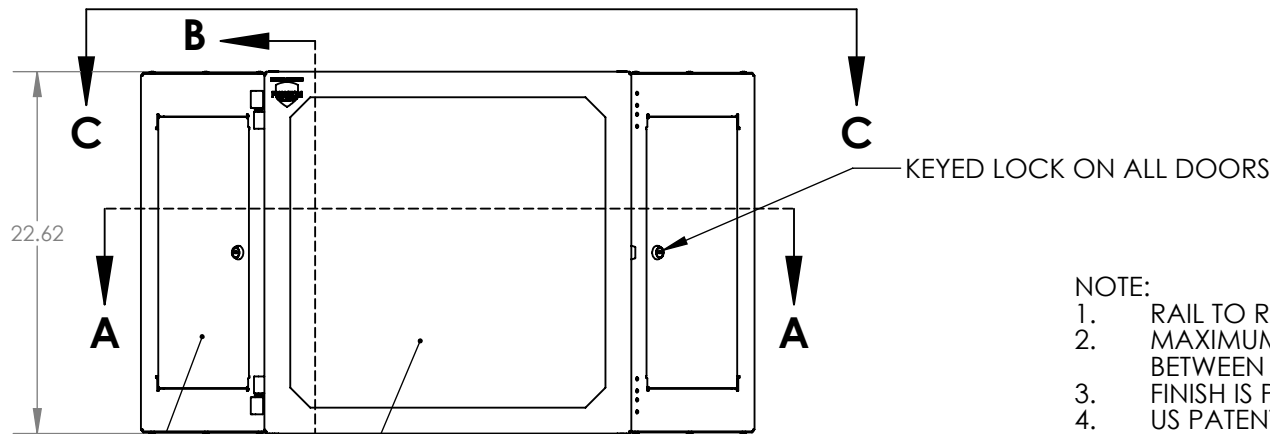


SECTION A-A
SCALE 1 : 12

VERTICAL RAIL LOCATION	CLEARANCE TO DOOR	DEPTH OF COMPONENT
1	1.76"	17.50"
2	2.26"	17.00"
3	2.76"	16.50"
4	3.26"	16.00"
5	3.76"	15.50"
6	4.26"	15.00"
7	4.76"	14.50"
8	5.26"	14.00"
9	5.76"	13.50"
10	6.26"	13.00"



NOTE:

1. RAIL TO RAIL HOLE SPACING 18.312"
2. MAXIMUM COMPONENT WIDTH BETWEEN RAILS 17.60"
3. FINISH IS POWDER COAT BLACK, MEDIUM TEXTURE.
4. US PATENT 8,894,161 & D672,342.

2X HINGED SIDE DOORS
LEFT HINGED FRONT DOOR

KENDALL HOWARD CONFIDENTIAL
THE INFORMATION CONTAINED IN THIS DRAWING IS THE SOLE PROPERTY OF KENDALL HOWARD. ANY REPRODUCTION IN PART OR AS A WHOLE WITHOUT THE WRITTEN PERMISSION OF KENDALL HOWARD IS STRICTLY PROHIBITED.

MANUFACTURING COMMENTS:

UNLESS OTHERWISE SPECIFIED, ALL DIMENSIONS ARE IN INCHES.

TOLERANCES:
FRACTIONAL: ±1/8
ANGULAR: ±1°
TWO PLACE DECIMAL: ±.03
THREE PLACE DECIMAL: ±.010
HOLE: ±.005

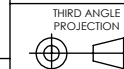
MATERIAL: NA
SURFACE AREA (in²): NA
FINISH ID: NA
FINISH DESCRIPTION: NA

DO NOT SCALE DRAWING

APPROVAL	DATE
DRAWN	
DESIGN	
ENG APPR	
MFG APPR	

LEGACY Part Number:

CLASSIFICATION:



INTERPRET DIMENSIONS AND TOLERANCES PER ASME Y14.5-2009

KENDALL HOWARD

TITLE:
PRODUCT DATA- CORNER CABINET- ADJUSTABLE RAILS

SIZE	DWG. NO.	REV
A	1915-3-700-12 PD	A

SCALE: 1:20 WEIGHT (lbs): 64.500 SHEET 1 OF 2

ECO No:	Description:	By:	Date:	App By:
---------	--------------	-----	-------	---------

5

4

3

2

1

D

D

C

C

B

B

A

A

5

4

3

2

1

D

D

C

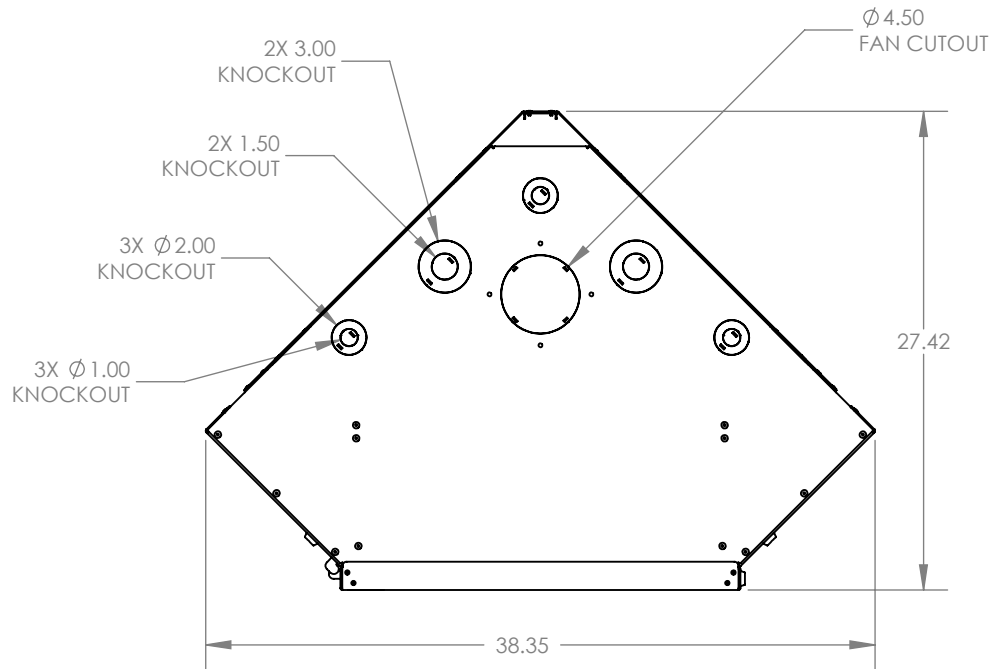
C

B

B

A

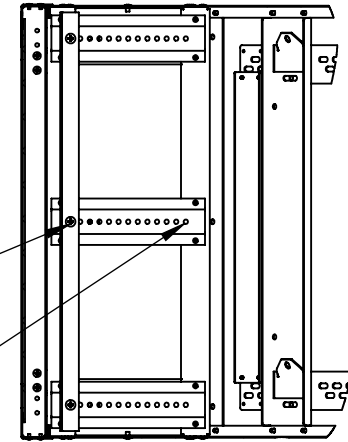
A



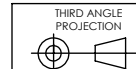
VIEW C-C
SCALE 1 : 11
TYP TOP/BOTTOM

VERTICAL RAIL LOCATION #1

VERTICAL RAIL LOCATION #10



SECTION B-B
SCALE 1 : 10



INTERPRET DIMENSIONS
AND TOLERANCES PER
ASME Y14.5-2009

KENDALL HOWARD 

SIZE	DWG. NO.	REV
A	1915-3-700-12 PD	A
SCALE: 1:20	WEIGHT (lbs): 64.500	SHEET 2 OF 2

5

4

3

2

1

A

A