

# Type 1/2 surge protection plug - VAL-MS-T1/T2 1000DCPV-UD-ST - 2801231


Please be informed that the data shown in this PDF Document is generated from our Online Catalog. Please find the complete data in the user's documentation. Our General Terms of Use for Downloads are valid (<http://phoenixcontact.com/download>)



Replacement plug for PV arrester combinations from the VAL-MS-T1/T2 1000DC-PV-... product range



## Key Commercial Data

Packing unit	1 pc
GTIN	 4 046356 749220
GTIN	4046356749220

## Technical data

### Dimensions

Height	52.4 mm
Width	17.5 mm
Depth	55.3 mm
Horizontal pitch	1 Div.

### Ambient conditions

Degree of protection	IP20
Ambient temperature (operation)	-40 °C ... 80 °C
Ambient temperature (storage/transport)	-40 °C ... 80 °C
Altitude	≤ 2000 m (amsl (above mean sea level))
Permissible humidity (operation)	5 % ... 95 %
Shock (operation)	60g (Half-sine / 11 ms / 3x ±X, ±Y, ±Z)
Vibration (operation)	7.5g (5-500 Hz/2.5 h/XYZ)

### General

IEC test classification	PV T1
	PV T2

# Type 1/2 surge protection plug - VAL-MS-T1/T2 1000DCPV-UD-ST - 2801231

## Technical data

### General

SPD failure behavior	OCM (Open-circuit mode)
Installation location	Interior
Accessibility	Accessible
Installation location of the disconnect device	Internal
Mounting type	on base element
Color	jet black RAL 9005
Housing material	PA 6.6-FR
Degree of pollution	2
Flammability rating according to UL 94	V-0
Type	Male
Number of positions	1
Surge protection fault message	optical

### Protective circuit DC voltage side (DC)

Maximum continuous operating voltage $U_{CPV}$	525 V DC
Short-circuit current rating $I_{SCPV}$	1000 A
Continuous operating current $I_{CPV}$	< 20 $\mu$ A
Standby power consumption $P_C$	$\leq$ 25 mVA
Nominal discharge current (8/20) $\mu$ s	15 kA
Maximum discharge current $I_{max}$ (8/20) $\mu$ s	40 kA
Impulse discharge current (10/350) $\mu$ s, charge	2.5 As
Impulse discharge current (10/350) $\mu$ s, specific energy	6.25 kJ/ $\Omega$
Impulse discharge current (10/350) $\mu$ s, peak value $I_{imp}$	5 kA
Voltage protection level $U_p$	$\leq$ 1.8 kV
Residual voltage $U_{res}$	$\leq$ 1.8 kV (at $I_n$ )
	$\leq$ 1.5 kV (at 5 kA)
	$\leq$ 1.7 kV (at 10 kA)
	$\leq$ 1.9 kV (at 20 kA)
	$\leq$ 2.2 kV (at 30 kA)
	$\leq$ 2.4 kV (at 40 kA)
Response time $t_A$	$\leq$ 25 ns
Insulation resistance $R_{iso}$	> 5 G $\Omega$ (at 500 V DC)

### Indicator/remote signaling

Max. required back-up fuse	not required
----------------------------	--------------

### Connection data

Connection method	pluggable
-------------------	-----------

### UL specifications

SPD Type	4CA
----------	-----

# Type 1/2 surge protection plug - VAL-MS-T1/T2 1000DCPV-UD-ST - 2801231

## Technical data

### UL specifications

Maximum continuous operating voltage MCOV (L+) - G	1050 V DC
Nominal voltage	875 V DC
Mode of protection	(L+) - G
Power distribution system	Single phase
Measured limiting voltage MLV (L+) - G	1900 V
Nominal discharge current $I_n$ (L+) - G	20 kA

### Standards and Regulations

Standards/regulations	EN 50539-11 2013
-----------------------	------------------

### Environmental Product Compliance

China RoHS	Environmentally Friendly Use Period = 50
	For details about hazardous substances go to tab "Downloads", Category "Manufacturer's declaration"

## Drawings

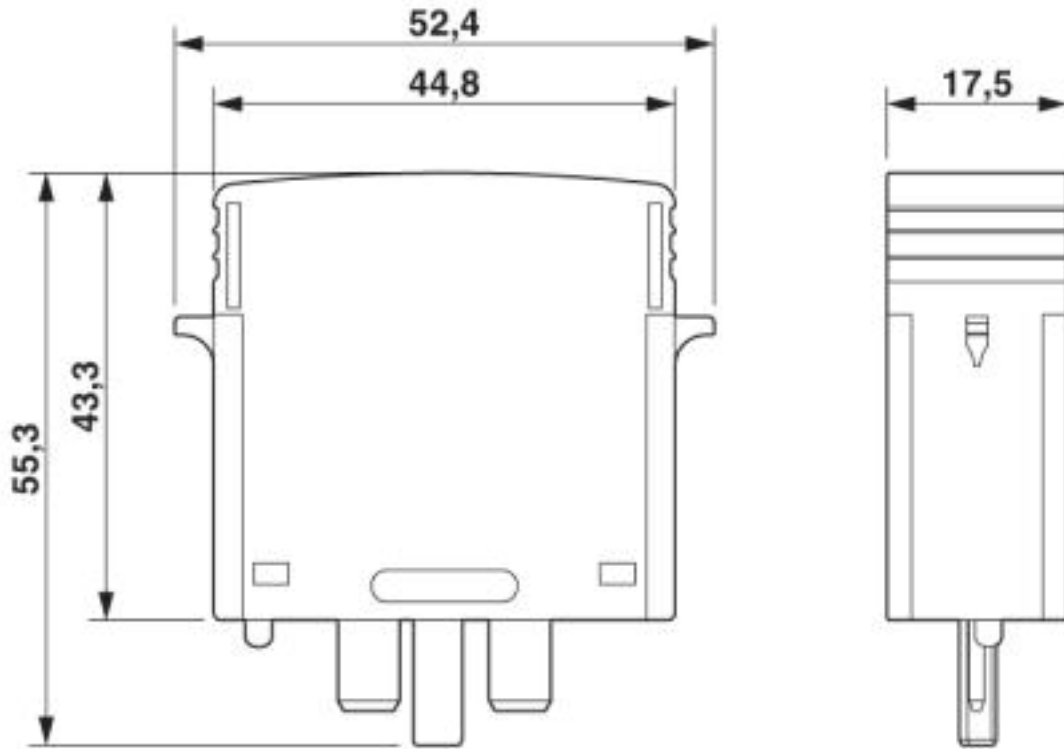
# Type 1/2 surge protection plug - VAL-MS-T1/T2 1000DCPV-UD-ST - 2801231

Circuit diagram



# Type 1/2 surge protection plug - VAL-MS-T1/T2 1000DCPV-UD-ST - 2801231

Dimensional drawing



## Approvals

Approvals

Approvals

KEMA-KEUR / EAC

Ex Approvals

## Approval details

KEMA-KEUR		<a href="http://www.dekra-certification.com">http://www.dekra-certification.com</a>	71-102960
-----------	--	---	-----------

EAC			RU C- DE.A*30.B01561
-----	--	--	-------------------------

Phoenix Contact 2019 © - all rights reserved  
<http://www.phoenixcontact.com>

PHOENIX CONTACT GmbH & Co. KG  
Flachmarktstr. 8  
32825 Blomberg  
Germany  
Tel. +49 5235 300  
Fax +49 5235 3 41200  
<http://www.phoenixcontact.com>