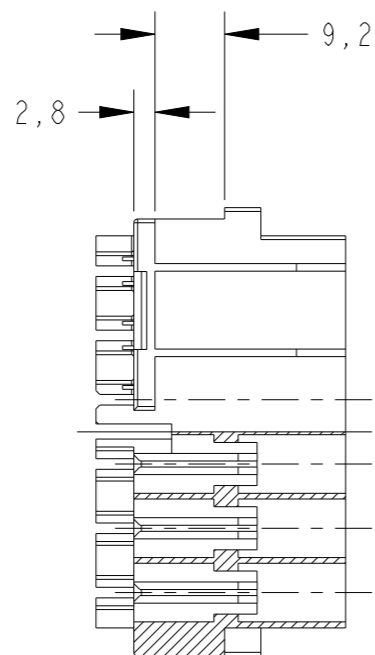
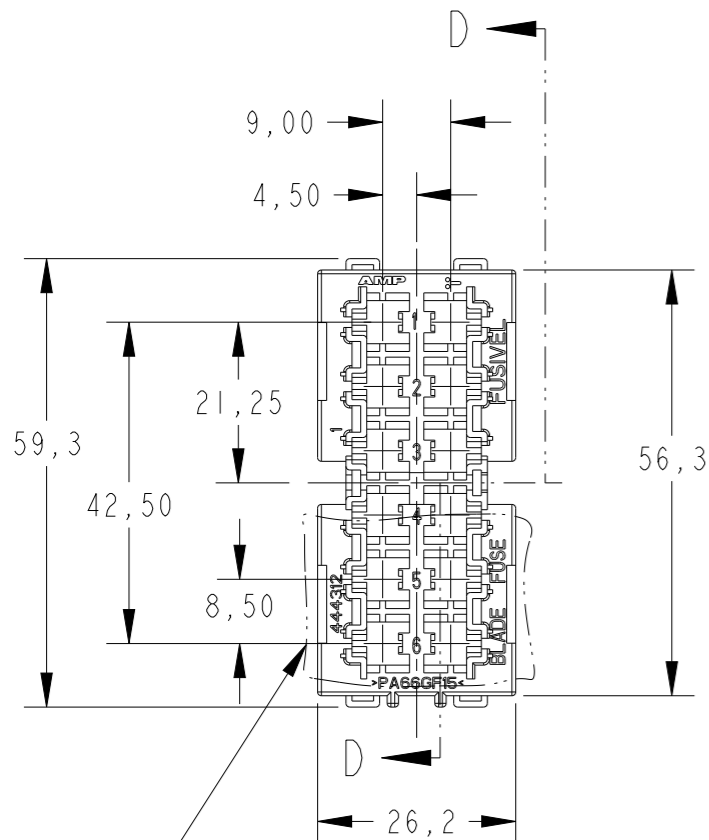


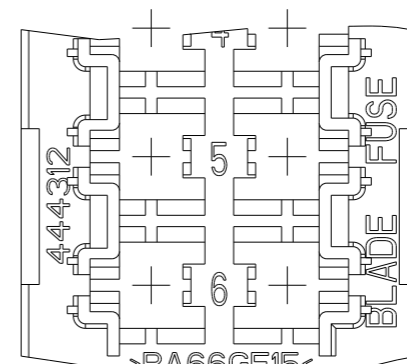
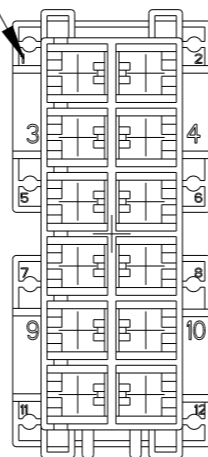
THIS DRAWING IS UNPUBLISHED. RELEASED FOR PUBLICATION
 © COPYRIGHT 19 BY - ALL RIGHTS RESERVED.

LOC	DIST	REVISIONS					
AP	-	P	LTR	DESCRIPTION	DATE	DWN	APVD
			A I	REVISED BY ECO-06-006673	18MAY2006	EGS	PLF
			B	REVISED DESIGN ECO-13-004522	01APR2013	NCL	BR
			B I	REVISED BY ECN-22-175806	19OCT2022	MJI	RKL

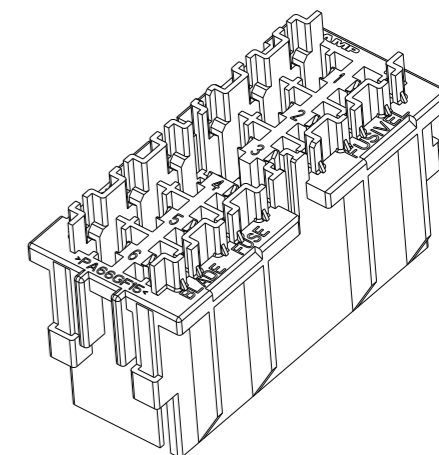


SECTION D-D

IDENTIFICACAO DE CIRCUITO
 CIRCUIT IDENTIFICATION

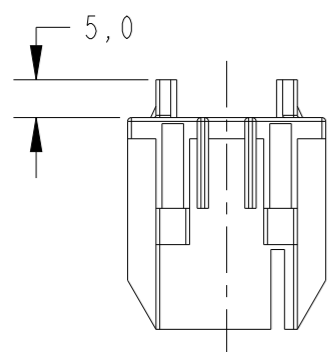


DETAIL X
 SCALE 2:1



PERSPECTIVE VIEW
 SCALE 1:1

SEE DETAIL X



GRAVAÇÃO MARKING
LOGOTIPO AMP AMP LOGO
CÓDIGO PAÍS PRODUTOR MANUFACTURER COUNTRY CODE
NOMENCLATURA MATERIAL MATERIAL NOMENCLATURE
NÚMERO COMPONENTE TE TE COMPONENT NUMBER

---	VIOLETA/VIOLET	PA 6.6+15% F.V / G.F	444312-9
---	CINZA/GRAY	PA 6.6+15% F.V / G.F	444312-8
---	VERDE/GREEN	PA 6.6+15% F.V / G.F	444312-7
---	BRANCO/WHITE	PA 6.6+15% F.V / G.F	444312-6
---	AZUL/BLUE	PA 6.6+15% F.V / G.F	444312-5
---	AMARELO/YELLOW	PA 6.6+15% F.V / G.F	444312-4
---	VERMELHO/RED	PA 6.6+15% F.V / G.F	444312-3
---	MARROM/BROWN	PA 6.6+15% F.V / G.F	444312-2
---	PRETO/BLACK	PA 6.6+15% F.V / G.F	444312-1
RAW MAT'L NO	FINISH	MATERIAL	PART NUMBER

1- CAVIDADES PARA TERMINAIS
 "FUSE CONTACT": 880397; 880398;
 880399 E "FUSE CONTACT BUSBAR"
 880490 E 880492.

1- CAVITIES FOR FUSE CONTACT
 TERMINAL: 880397; 880398
 880399 AND FUSE CONTACT
 BUSBAR 880490 AND 880492.

2- PRIMEIRO USO EM: "FUSE
 BOX FRAME" 444308.

2- FIRST USED ON: FUSE BOX
 FRAME 444308.

3- CONECTOR PARA FUSIVEL AMP
 688670 CONF. SAE-J1284.

3- CONNECTOR FOR BLADE FUSE
 AMP NO.688670 ACCORDING
 SAE-J1284.



THIS DRAWING IS A CONTROLLED DOCUMENT.

DIMENSIONS:	TOLERANCES UNLESS OTHERWISE SPECIFIED:
mm	
0 PLC	±°
1 PLC	±0,3
2 PLC	±°
3 PLC	±°
4 PLC	±°
ANGLES	±1°
FINISH	SEE TABLE

DWN	M.L. OGAWA	02SEP99
CHK	P.L. FARIA	05SEP99
APVD	L.G. DALTO	05SEP99
PRODUCT SPEC	-	-
APPLICATION SPEC	-	-
WEIGHT	-	-

STE TE Connectivity			
NAME HOUSING, 12 POSN. FUSE CONTACT			
SIZE	CAGE CODE	DRAWING NO	RESTRICTED TO
A3	00779	©-444312	-

Customer Drawing SCALE 1:1 SHEET 1 OF 1 REV BI