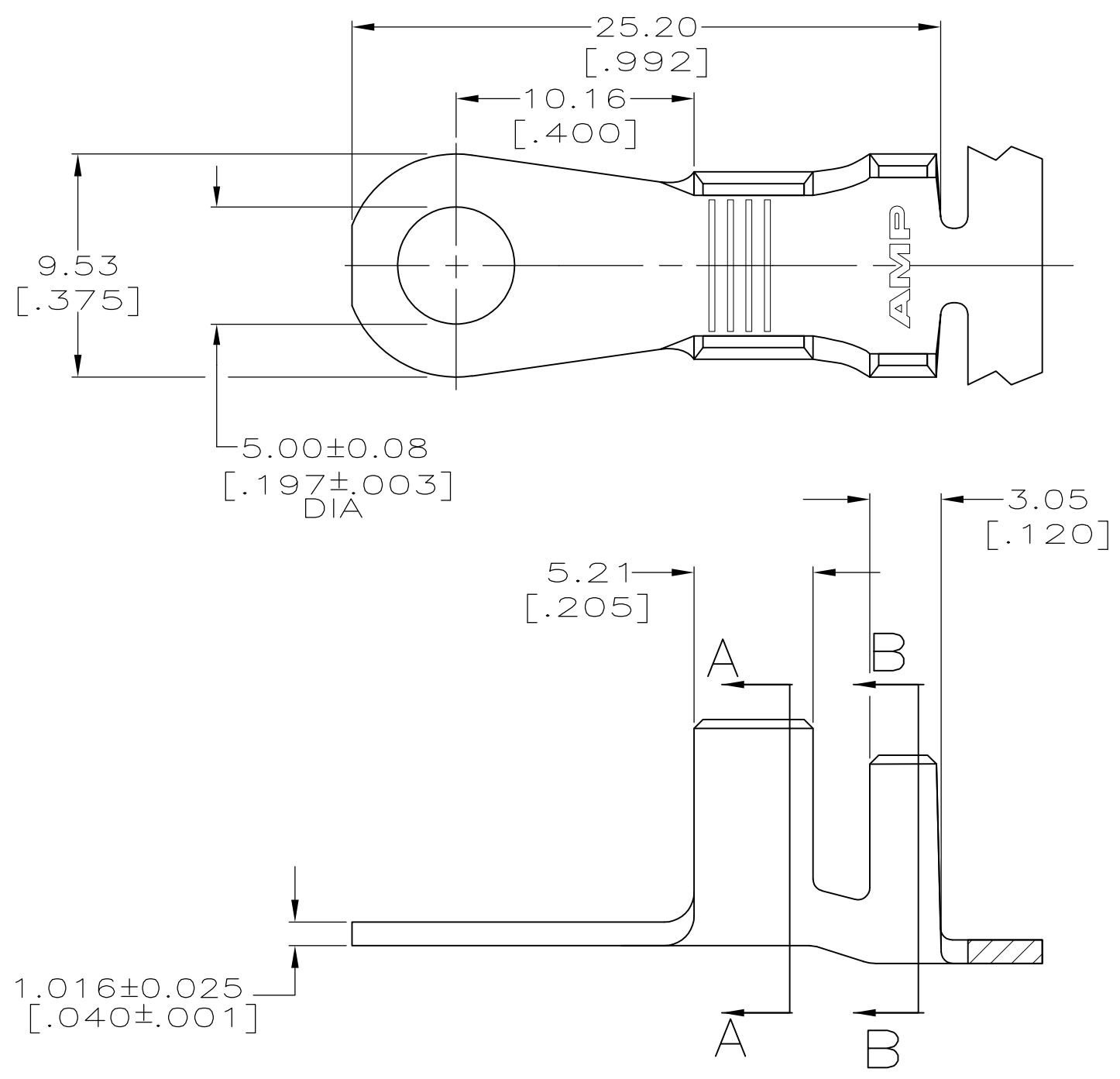
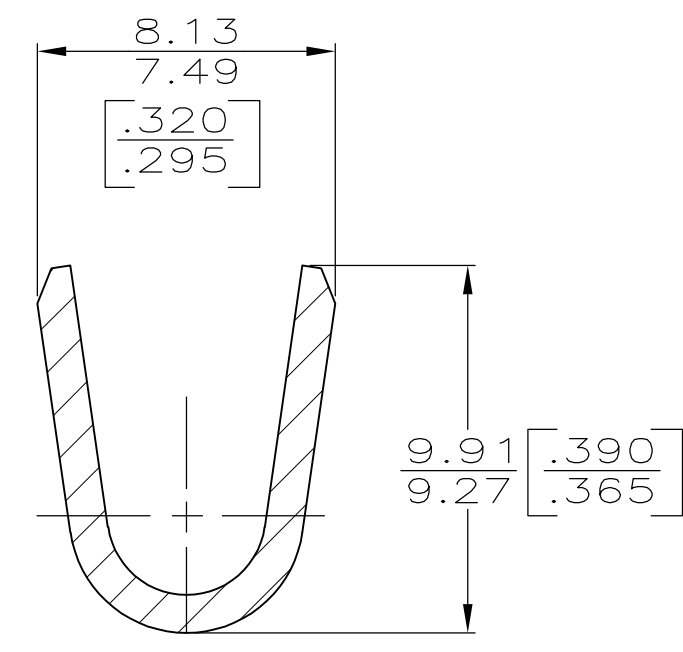


THIS DRAWING IS UNPUBLISHED. RELEASED FOR PUBLICATION
 © COPYRIGHT BY TYCO ELECTRONICS CORPORATION. ALL INTERNATIONAL RIGHTS RESERVED.

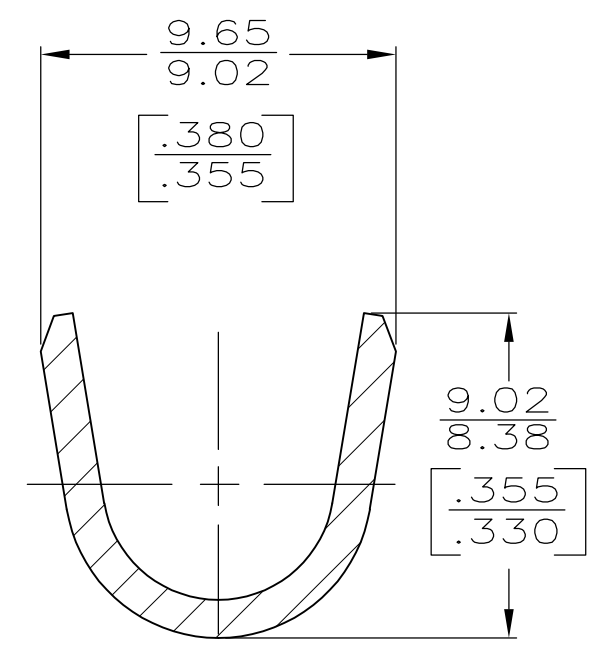
| LOC | DIST | REVISIONS | | | |
|-----|------|-------------|---------------------------|---------|---------|
| P | LTR | DESCRIPTION | DATE | DWN | APVD |
| AF | 50 | H3 | REVISED PER ECR-13-014665 | 17SEP13 | B.P D.Z |



- 1 CONTINUOUS STRIP ON REEL.
- △ 2 TIN PLATING.
- △ 3 INSULATION RANGES:
 3.68-5.33 [.145-.210] FOR AN F TYPE CRIMP
 5.33-7.37 [.210-.290] FOR AN O TYPE CRIMP
- △ 4 PRELIMINARY - NOT FOR PRODUCTION



SECTION A-A
SCALE 5:1



SECTION B-B
SCALE 5:1

| | | | |
|-----------------|------------------|------------|-------------|
| REVERSE REELING | △ 3 | [10-6] AWG | 61866-3 |
| --- | | | 61866-1 |
| NOTES | INSULATION RANGE | WIRE RANGE | PART NUMBER |

| | | | | |
|---|--|----------------------------------|---|-----------------|
| THIS DRAWING IS A CONTROLLED DOCUMENT. | | DWN 2/16/94 PHILLIP M FORTNEY | Tyco Electronics Corporation Harrisburg, PA 17105-3608 | |
| DIMENSIONS: mm [INCHES] | | CHK 2/16/94 JEFF RUTH | NAME | |
| TOLERANCES UNLESS OTHERWISE SPECIFIED: | | APVD 2/16/94 GARY YETTER | RING TERMINAL | |
| 0 PLC ± - 1 PLC ± - 2 PLC ± 0.25 [.010] 3 PLC ± - 4 PLC ± - ANGLES ± - | | PRODUCT SPEC | SIZE | CAGE CODE |
| MATERIAL | | APPLICATION SPEC | DRAWING NO | |
| 082 BRASS | | WEIGHT - | A3 00779 C-61866 | |
| FINISH △ 2 | | CUSTOMER DRAWING | | RESTRICTED TO - |
| | | SCALE 4:1 | SHEET 1 OF 1 | REV H3 |