

PRODUCT CHANGE NOTIFICATION

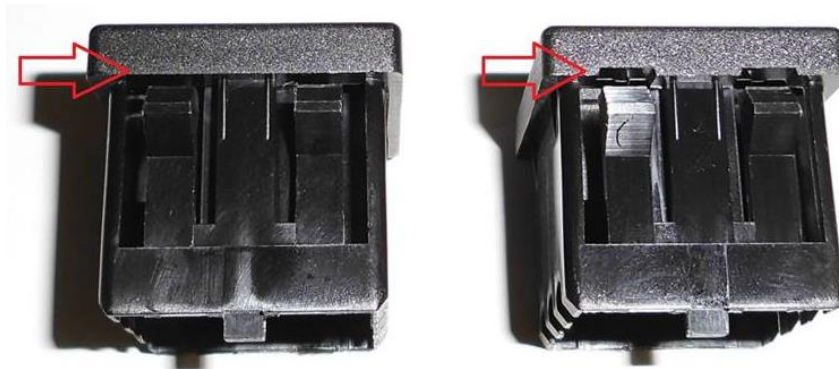
TO: ALL AFFECTED CUSTOMERS

FROM: QUALTEK ELECTRONICS

DATE: AUGUST 18, 2015

CLASSIFICATION OF CHANGE: VISUAL/APPEARANCE CHANGE 739W-X2/40

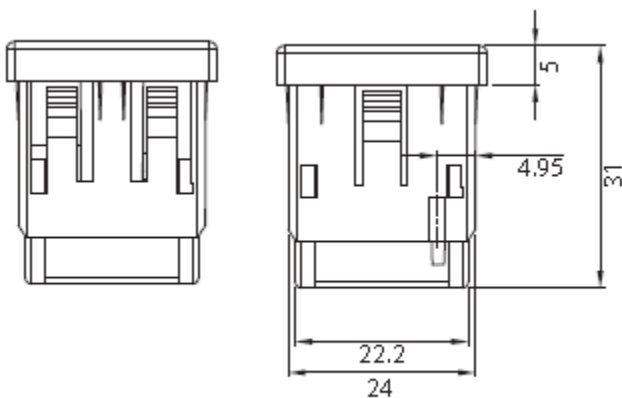
QUALTEK PART NUMBER 739W-X2/40 HAS BEEN MODIFIED TO ADD THE FOLLOWING MOLDING RELEASE RELIEFS NEAR ALL OF THE SNAP IN TABS AS SHOWN IN THE PICTURE BELOW:



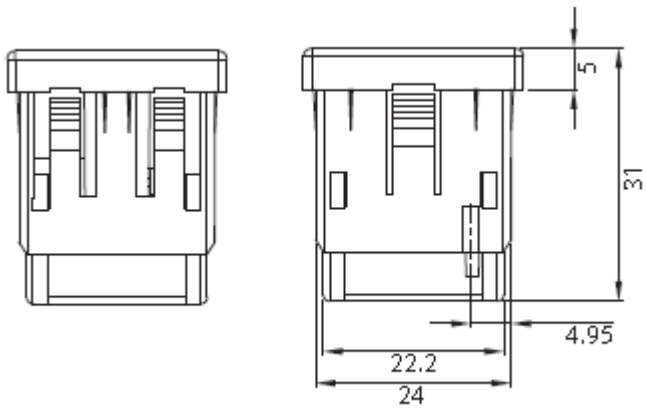
THIS MODIFICATION WILL NOT CHANGE THE FUNCTIONALITY, SAFETY, OR USE OF THIS PRODUCT.

ADDITIONAL VIEWS BELOW:

BEFORE:



AFTER:



QUALTEK HAS ALSO ADDED CSA SAFETY APPROVAL TO THIS RECEPTACLE.

LAST TIME BUY: NONE.

CONTACT INFORMATION: PLEASE CONTACT QUALTEK ELECTRONICS CUSTOMER SERVICE FOR AVAILABILITY.

PHONE: 440-951-3300

FAX: 440-951-7252