



**ANATECH ELECTRONICS INC**  
RF & Microwave Filters & Products

# 452.5-457.475 MHz / 462.5-467.475 MHz Cavity Duplexer

**Part Number: AD454-464D275**

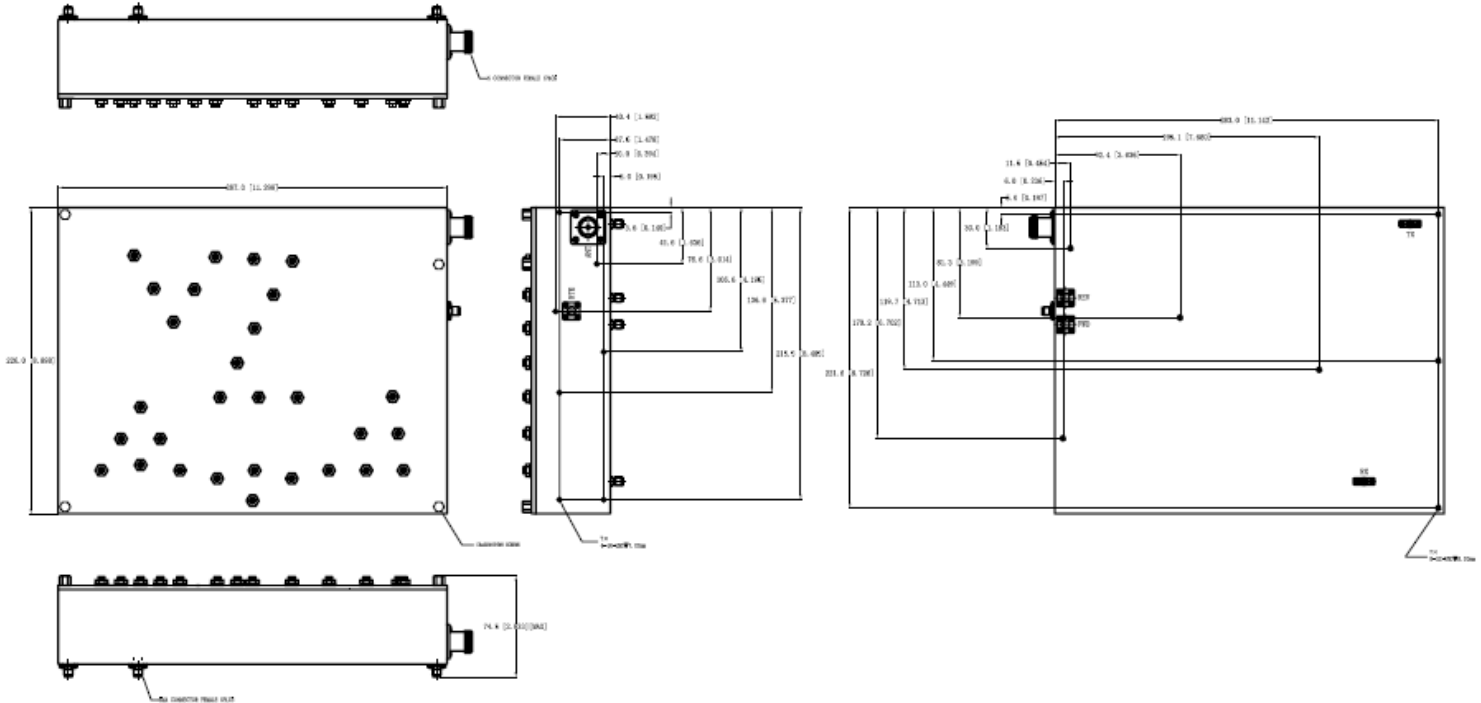


Characteristics	Band 1	Band 2
Passband:	452.5-457.475 MHz	462.5-467.475 MHz
Bandwidth:	4.975 MHz	4.975 MHz
Passband Return Loss:	19 dB	19 dB
Passband Insertion Loss:	1.5 dB	1.5 dB
Passband Ripple:	0.2 dB	0.2 dB
Input / Output Impedance:	50 Ohms	50 Ohms
Isolation:	60 dB	60 dB
Power Handling:		

Mechanical	
Mounting Method:	Threaded Mounting Holes
Connector Type:	N-Type (F)
Dimensions:	287 x 226 x 65 mm

Environmental	
Operating Temperature:	-40 to +85 deg.C
Storage Temperature:	-50 to +90 deg.C

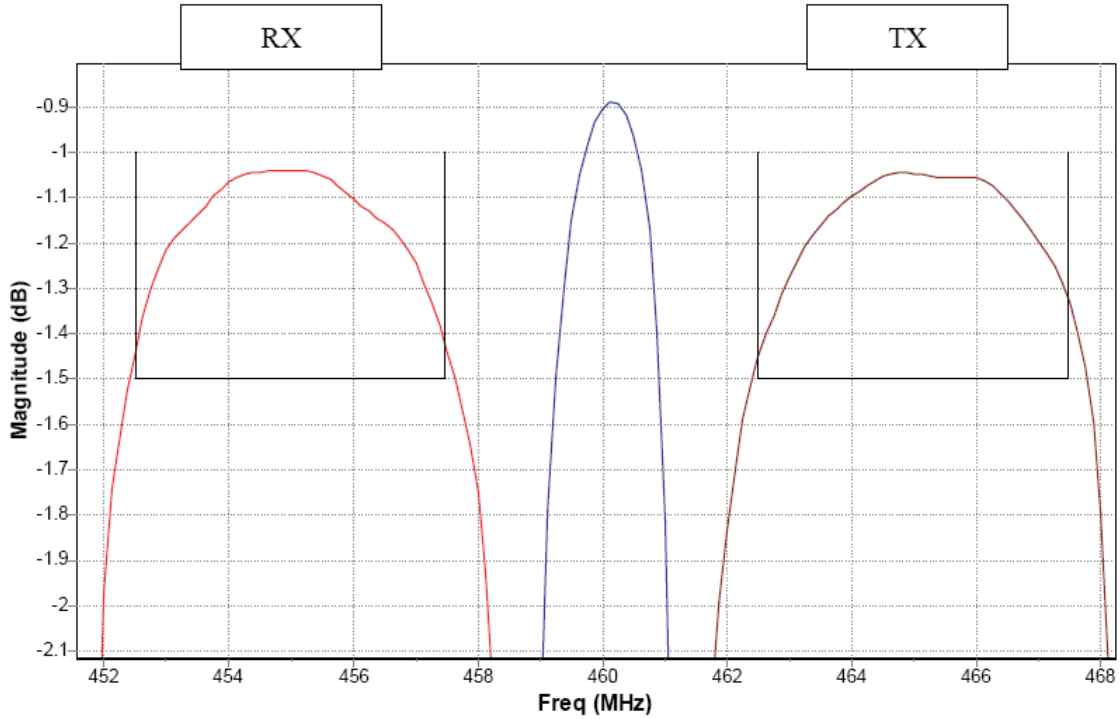
## Outline Drawing:





### Response Plots:

Insertion Loss



Return Loss

