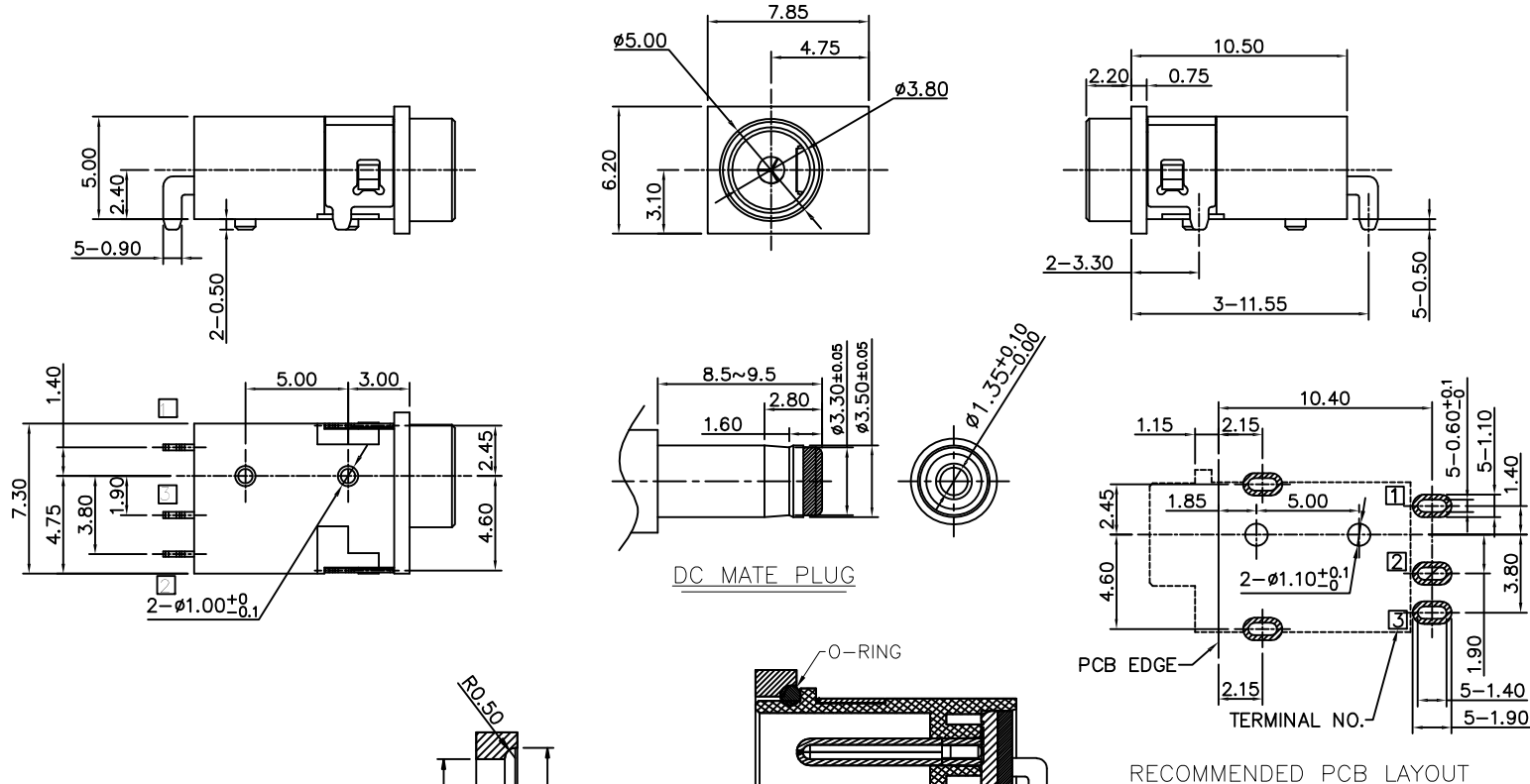


APPROVED: _____
 DATE: _____ TITLE: _____

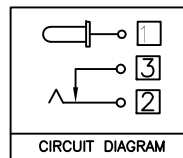
Rev	AWO #	Description	Date	Appr
-		RELEASED	11/16/18	
A		ADDED DRAWING	6/27/19	AY/TW



SPECIFICATIONS:

Material:
 Insulator: Hi-Temp Thermoplastic, rated UL 94V-0
 Insulator color: Black
 Center Pin: Copper Alloy
 Contacts: Copper Alloy
 Shield: Brass, Nickel plated
 Plating:
 Gold flash over Nickel underplate overall
 Electrical:
 Rating: 16VDC, 3.5A
 Contact resistance: 30 mohms max.
 Insulation resistance: 100 Mohms min @ 500 VDC.
 Dielectric withstanding voltage: 500 VAC
 Temperature Rating:
 Operating temperature: -20°C to +70°C
 Environmental:
 ingress protection rating: IPX7
 Lead free, RoHS compliant

Recommended open dimension of case
 TOLERANCE: ±0.03mm
 MATTING AREA WITH SEALING RING



PACKAGED ON TAPE & REEL

UNLESS OTHERWISE SPECIFIED
 ALL DIMENSIONS ARE MILLIMETERS
 TOLERANCES: EXCEPT AS NOTED

MM	ANGLE
.X ± 0.38	X ± 5°
.XX ± 0.30	.X ± 3°
.XXX ± 0.15	.XX ± 2°

APPROVALS		DATE
DRAWN	HR	11/16/18
CHECKED	AC1	11/16/18
APPROVED		

ADAM TECH INTERCONNECTS 909 Rahway Avenue, Union, NJ 07083
 Phone: 908-687-5000 Fax: 908-687-5710

TITLE: DC POWER JACK, 1.30MM CENTER PIN, WATER PROOF

SIZE	PART NO.	REV.
X	ADC-114B-4-WP-HT-T/R	A

REF: S00002C SCALE: NTS SHEET 1 OF 1