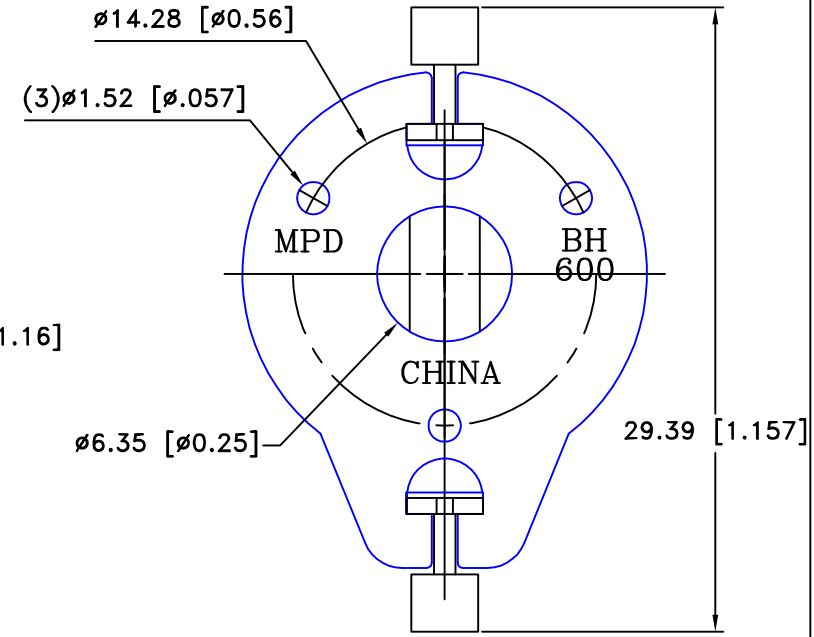
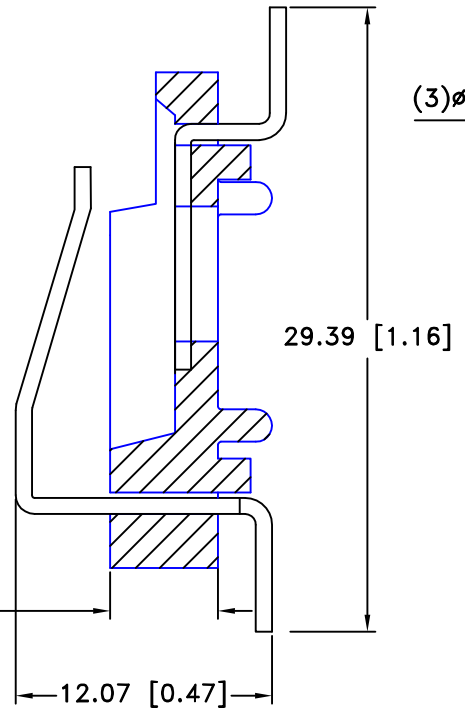
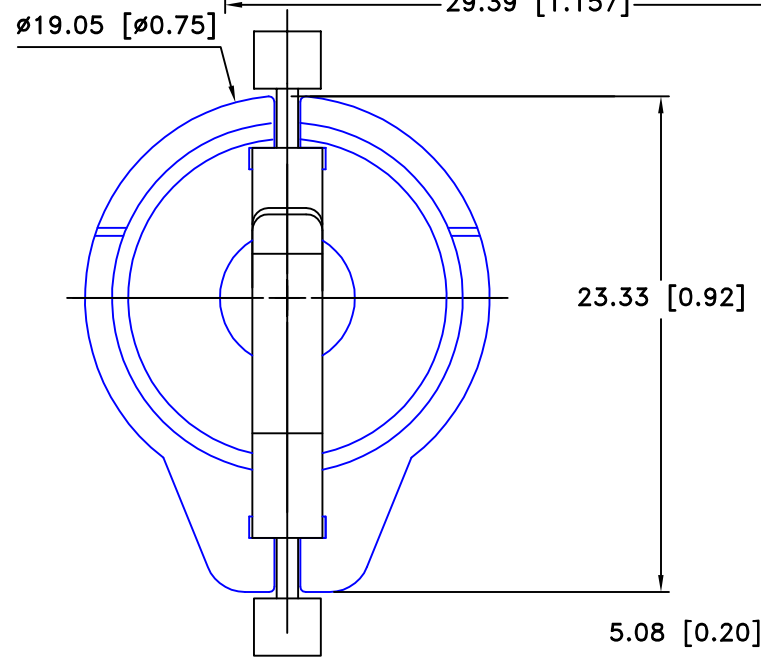



Date	SYM	REVISION RECORD	AUTH	DR.	CK.
10/22/05	A	ADDED "ROHS COMPLIANT"	T.B.	B.S.	



SPECIFICATIONS

- *Holder material—Kopa 66, 30% Glass Filled, GREY
 - *Flammability rating—UL94V—HB, UL File No. E88499
 - *Contacts—302 spring temper stainless steel
Gold Flash Plating
 - *Dielectric strength—560volts/mil at 25°C for 5seconds
 - *Temperature range— -40°C to +245°C
 - *Resistance to solvents—Xylene,ethyl,butyl,methyl&proptl
alcohol;ethyl acetate,heptane;toluene;refrigerant
- ROHS COMPLIANT

Tolerance (Except as noted)	 Memory protection Devices, Inc 200 Broad Hollow Road, Farmingdale, New York 11735		
decimal $\pm .5$ (.020)		Scale	Drawn By B.S. Approved By T.B.
Fractional $\pm .8$ (.030)	Title 16mm DIA. x 5.8mm THICK COIN CELL HOLDER		
Angular $\pm 3^\circ$	Date 10/22/05	Drawing Number BH600SM-5.8-G	