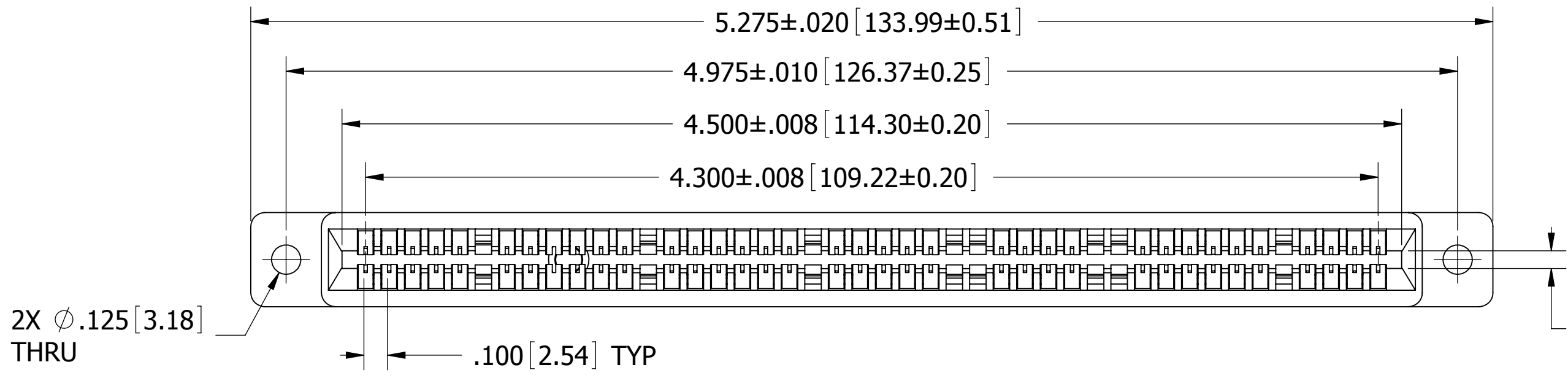
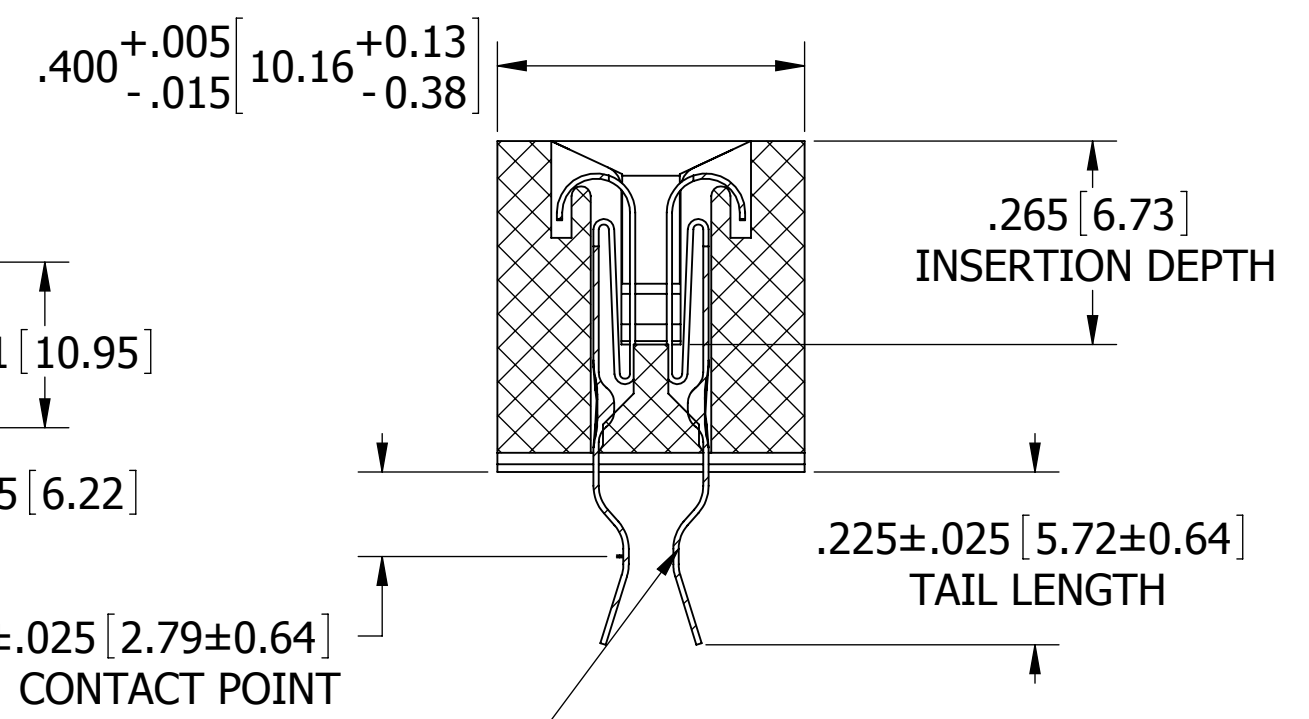
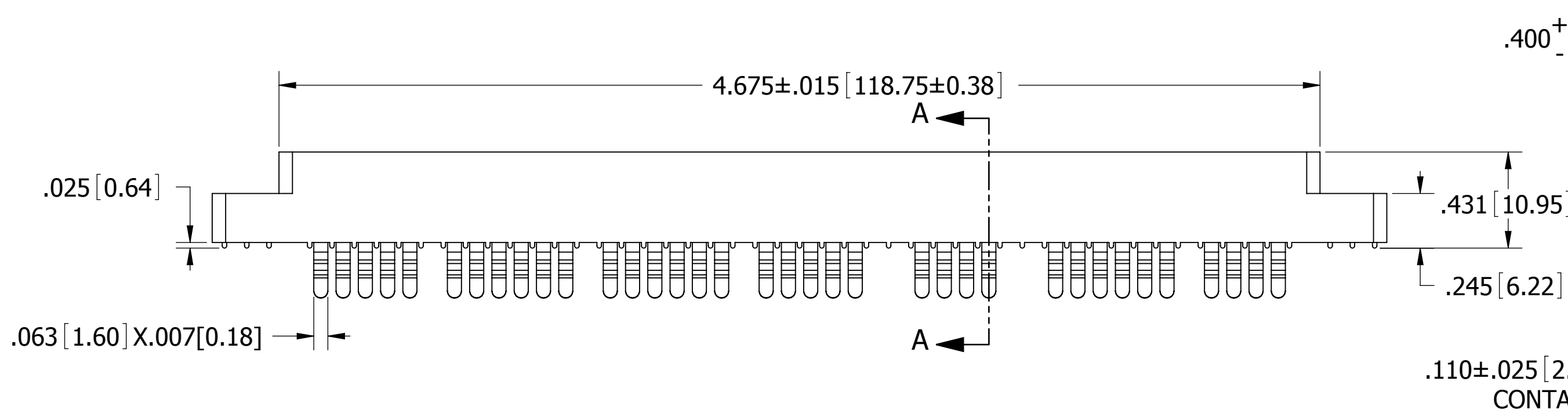
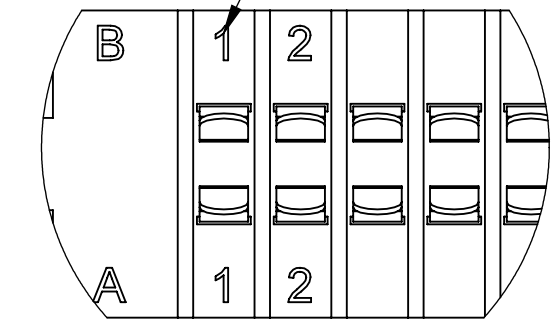


REVISIONS				
REV.	ECO. NO	DESCRIPTION	DATE	BY
A	2313	INITIAL RELEASE	4/11/2011	JH

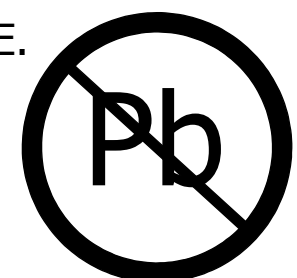


CONTACT MARKINGS:
 1 2 ... 43 44
 1 2 ... 43 44



ACCEPTS .062" PCB
 SECTION A-A
 SCALE 4 : 1

- NOTES:
- INSULATOR MATERIAL: PPS.
 - CONTACT MATERIAL: SPINODAL.
 - PLATING: .000050" NICKEL UNDERPLATE
.000030" GOLD ON CONTACT SURFACE,
.000010" GOLD OVERALL ON TERMINATION.
 - OPERATING TEMPERATURE: -65 °C TO +200 °C.
 - PROCESSING TEMP: 260 °C FOR 120 SECONDS MAX.
 - UL FLAMMABILITY RATING: 94V-0.
 - DIELECTRIC WITHSTANDING VOLTAGE : 750 VAC MINIMUM AT SEA LEVEL.
 - CURRENT RATING: 3 AMP PER CONTACT.
 - CONTACT RESISTANCE: 30 MILLIOHMS MAX.
 - INSULATION RESISTANCE: 5000 MEGOHMS MIN.
 - DURABILITY: 500 CYCLES MIN.
 - CONNECTOR IDENTIFICATION: THE PART SHALL BE MARKED WITH A PART NUMBER AND LOT CODE.
 - THICKNESS ACCOMMODATED: .062 ± .008 [1.57 ± 0.20].
 - INSERTION FORCE: 16 OZ MAX PER CONTACT PAIR WHEN USING A .062 [1.57] TEST BLADE.
INTERNAL INSPECTION TO BE PER SULLIN'S WORK INSTRUCTION WI 7.3-01.
 - WITHDRAWAL FORCE: 1 OZ MIN PER CONTACT PAIR USING .062 [1.57] PCB.
 - MODIFICATION: MICRO PLASTIC CARD EXTENDER BEND FOR LOW PROFILE CONNECTOR, .055" INSIDE DIMENSION FOR .062" PCB. OMIT CONTACTS IN POSITIONS 6, 13, 20, 26, 27, 32, 33, 40



RoHS COMPLIANT

REFERENCE: FMC44DRVH-P50

CUSTOMER COPY

UNLESS OTHERWISE SPECIFIED: DIMENSIONS ARE IN INCHES [MM]	DRAWN	DATE	NAME	
		5/5/2011	JH	
TOLERANCES: ANGULAR: ± 30' .XX=± .02 [5] .XXX=± .005 [13] .XXXX=± .0005 [013]	THE INFORMATION HEREIN CONTAINS PROPRIETARY INFORMATION OF SULLINS ELECTRONICS AND IS NOT TO BE REPRODUCED, USED OR DISCLOSED TO OTHERS FOR ANY PURPOSE EXCEPT AS SPECIFICALLY AUTHORIZED IN WRITING BY AN OFFICER OF SULLINS ELECTRONICS.			
	TITLE CARD EDGE, .100 CC LP			
PART NUMBER MPP-1100-44-DSE-1G(SP)				
INTERPRET DIMENSIONS AND TOLERANCING PER: ASME Y14.5M-2009		SIZE C	CAGE CODE 54453	DWG. NO. C11695
	SCALE: 2:1			REV A
				SHEET 1 OF 1